

Customer Information Sheet

DRAWING No.: M20-610XX45

SHEET 2 OF 2

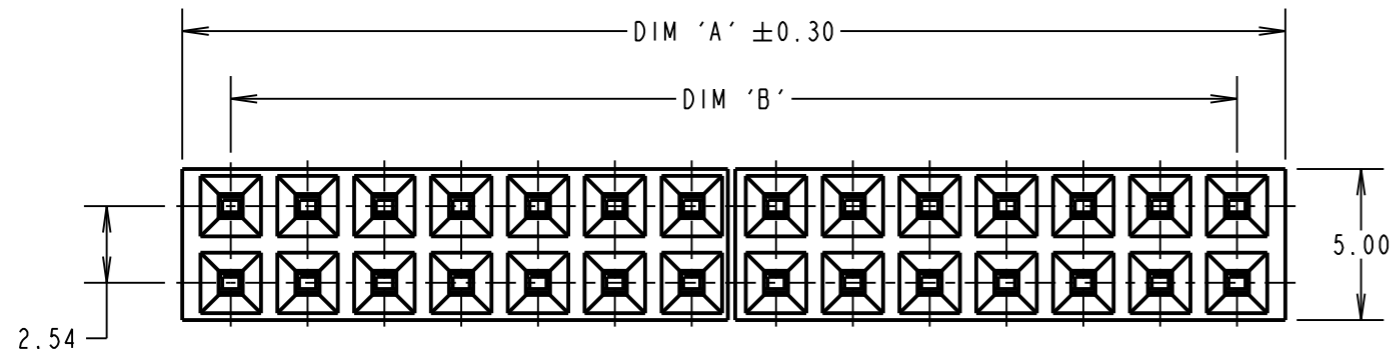
IF IN DOUBT - ASK

©

NOT TO SCALE

THIRD ANGLE PROJECTION

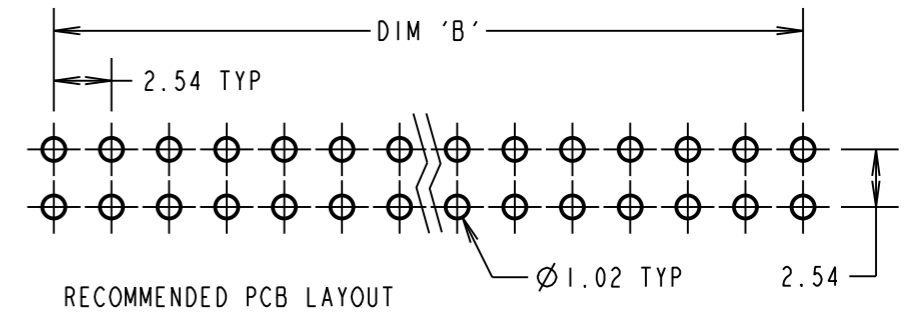
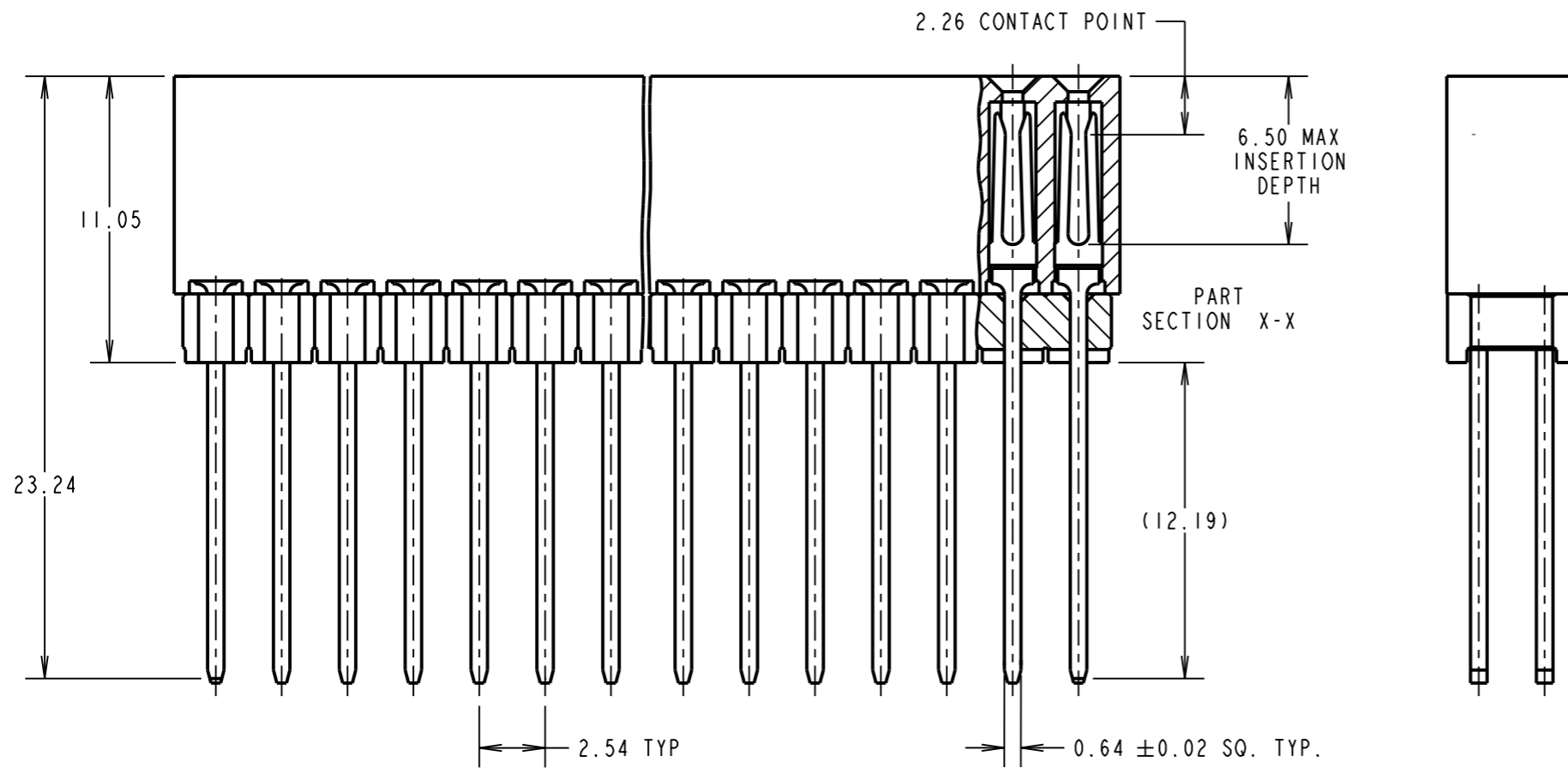
ALL DIMENSIONS IN mm



NOTES:
1. ALL TOLERANCES ARE ± 0.20 UNLESS OTHERWISE STATED.

SPECIFICATION:

MATERIAL:
 MOULDING = HIGH TEMP NYLON 6T UL94V-0, BLACK
 CONTACTS = PHOSPHOR BRONZE
FINISH:
 CONTACTS = 0.08μ GOLD OVER NICKEL
ELECTRICAL:
 CURRENT RATING = 3A MAX
 CONTACT RESISTANCE = $30m\Omega$ MAX
 INSULATION RESISTANCE = $5,000M\Omega$ MIN
 VOLTAGE PROOF = 1,000V AC FOR ONE MINUTE
MECHANICAL:
 INSERTION FORCE (PER CONTACT) = 2.0N/MAX
 WITHDRAWAL FORCE (PER CONTACT) = 0.3N MIN
ENVIRONMENTAL:
 TEMPERATURE RANGE = $-55^{\circ}C$ TO $+105^{\circ}C$
PACKING:
 TUBE
 FOR COMPLETE SPECIFICATIONS, SEE COMPONENT SPECIFICATION C039XX (LATEST ISSUE)



No. OF CONTACTS PER ROW	DIM 'A'	DIM 'B'
20	51.46	48.26
32	81.94	78.74

HARWIN
 www.harwin.com
 technical@harwin.com

THIS DRAWING AND ANY INFORMATION OR DESCRIPTIVE MATTER SET OUT HEREON ARE CONFIDENTIAL AND COPYRIGHT PROPERTY OF THE HARWIN GROUP AND MUST NOT BE DISCLOSED, LOANED, COPIED OR USED FOR MANUFACTURING, TENDERING OR FOR ANY OTHER PURPOSE WITHOUT THEIR WRITTEN PERMISSION.

TOLERANCES
 X = $\pm 1mm$
 X.X = $\pm 0.25mm$
 X.XX = $\pm 0.10mm$
 X.XXX = $\pm 0.01mm$
 ANGLES = $\pm 5^{\circ}$
 UNLESS STATED

MATERIAL:
 SEE ABOVE
FINISH:
 SEE ABOVE
S/AREA:
 mm²

TITLE:
 PCI04 CONNECTOR (STACKTHROUGH)
DRAWING NUMBER:
 M20-610XX45
SHT
 2 OF 2

ORDER CODE:
M22-610XX45
 No. OF CONTACTS PER ROW:
 20, 32
FINISH:
 45 = GOLD ALL OVER NICKEL

SB	12	01.10.13	12212
NAME	ISS.	DATE	C/NOTE
APPROVED: S.BENNETT			
CHECKED: M.PLESTED			
DRAWN: W.J.BOURNE			
CUSTOMER REF.:			
ASSEMBLY DRG:			