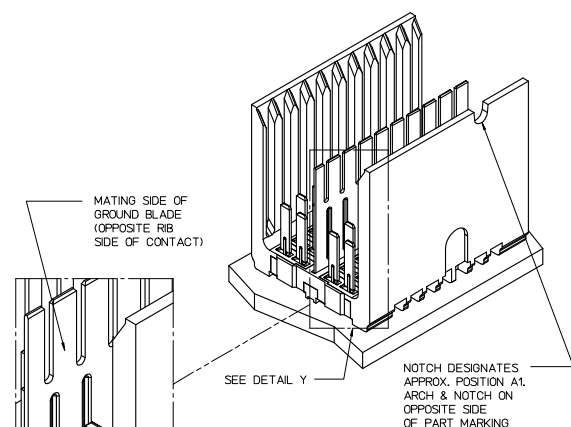
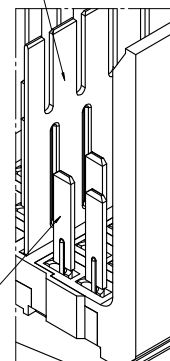


ROWS AG & EG RECOMMENDED FOR ALL APPLICATIONS. THESE ROWS SHOULD BE CONNECTED TO GROUND.

BACKPLANE HOLE PATTERN (COMPONENT SIDE 10-POSITION SHOWN)

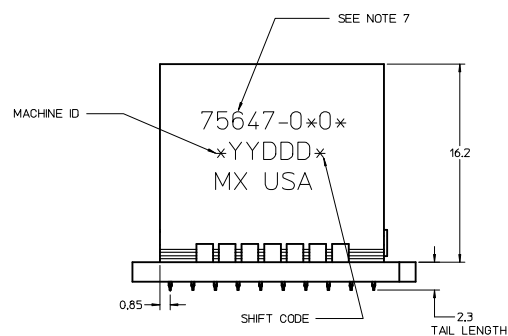


MATING SIDE OF GROUND BLADE (OPPOSITE RIB SIDE OF CONTACT)

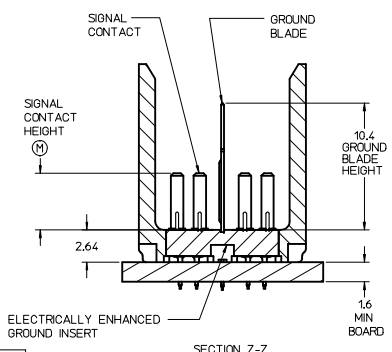


DETAIL Y SCALE 10:1

NOTCH DESIGNATES APPROX. POSITION AT ARCH & NOTCH ON OPPOSITE SIDE OF PART MARKING

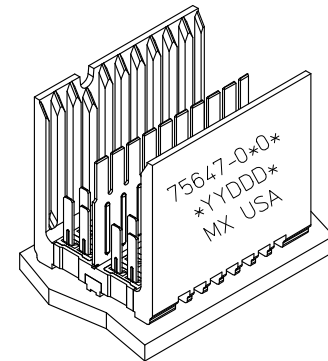


THE PRIMARY CARTON WITH A LABEL STATING "ELV AND RoHS COMPLAINT" IS LEAD FREE. CARTONS WITHOUT THIS LABEL MAY CONTAIN LEAD.



SECTION Z-Z

PART NUMBER TABLE				
ASSY PART NO.	K	L	P	TOTAL NO. OF DIFFERENTIAL PAIRS
75647-050*	4	7,40	9,10	10
75647-010*	9	16,65	18,35	20
75647-020*	24	44,40	46,10	50



- NOTES:**
- MATERIAL: HOUSING - LIQUID CRYSTAL POLYMER (LCP) GLASS-FILLED. UL 94V-0, COLOR - GRAY. ELECTRICALLY ENHANCED GROUND INSERT: CONDUCTIVE RESIN - COLOR - RED. SIGNAL CONTACT AND GROUND BLADE - HIGH PERFORMANCE COPPER ALLOY.
  - FINISHES: SELECTIVE GOLD (Au) ON CONTACT AREA. SELECTIVE MATTE TIN (Sn) ON PCB TAILS. NICKEL (Ni) OVERALL.
  - THIS PART CONFORMS TO MOLEX PRODUCT SPECIFICATION PS-75221-999.
  - FOR MIXED CONTACT MATING LENGTHS CONSULT MOLEX FOR AVAILABILITY. CONTACT PAIRS MUST BE THE SAME LENGTH.
  - FOR SPECIFIC PART NUMBER AND MATING INFORMATION PLEASE REFER TO CHART.
  - PACKAGE PER PK-70873-5058.
  - MARK PART NUMBER AND DATE CODE APPROXIMATELY WHERE SHOWN.
  - THIS PART CONFORMS TO MOLEX COSMETIC SPECIFICATION PS-45499-002 CLASS B.
  - MAPS (MOLEX ADVANCED PLATING SYSTEM).

COLUMN	PIN LENGTH DIM "M"	GOLD (Au) THICKNESS micrometers
01 = 10 COL	0-3.55 mm	0.25 (MAPS)
02 = 25 COL	1-4.55 mm	
	2-5.55 mm	
	3-3.55 mm	
05 = 5 COL	4-4.55 mm	0.76
	5-5.55 mm	
	7-3.55 mm	
	8-4.55 mm	
	9-5.55 mm	1.27

LEAD-FREE PLATING

<b>REV TO LEAD-FREE</b> IEC NO: IJCP2013-0690 DRAWINGS: 2012/09/05 CHKD:WOLFE 2012/09/07 APPR:SMILLER 2012/12/05	QUALITY SYMBOLS ∇=0 ∇=0 ∇=0	GENERAL TOLERANCES (UNLESS SPECIFIED) DIM INCH 4 PLACES ±.005 3 PLACES ±.0025 2 PLACES ±.0015 1 PLACE ±.0010 0 PLACE ±.0005 ANGULAR ±1/2° DRAFT WHERE APPLICABLE MUST REMAIN WITHIN DIMENSIONS	DIMENSION STYLE MM ONLY DRAWN BY: JB INGHAM CHECKED BY: KMULVEY APPROVED BY: SMILLER DATE: 2006/01/18 DATE: 2006/01/18 DATE: 2012/12/05	SCALE: 5:1 DESIGN UNITS: METRIC THIRD ANGLE PROJECTION	TITLE: GBX 2-PAIR BACKPLANE LF ELECTRICALLY ENHANCED OPEN END SALES ASSEMBLY molex	MATERIAL NO.: SEE CHART DOCUMENT NO.: SD-75647-010	SHEET NO.: 1 OF 1
	THIS DRAWING CONTAINS INFORMATION THAT IS PROPRIETARY TO MOLEX INCORPORATED AND SHOULD NOT BE USED WITHOUT WRITTEN PERMISSION						
	DRAWING NO: IJCP2013-0690						
	APPR:SMILLER 2012/12/05						