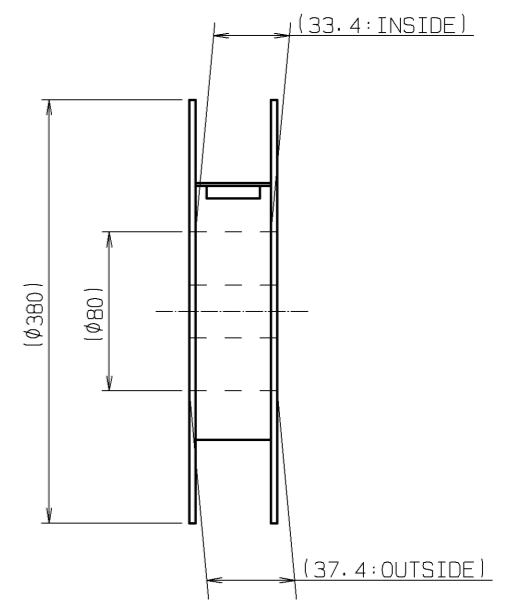
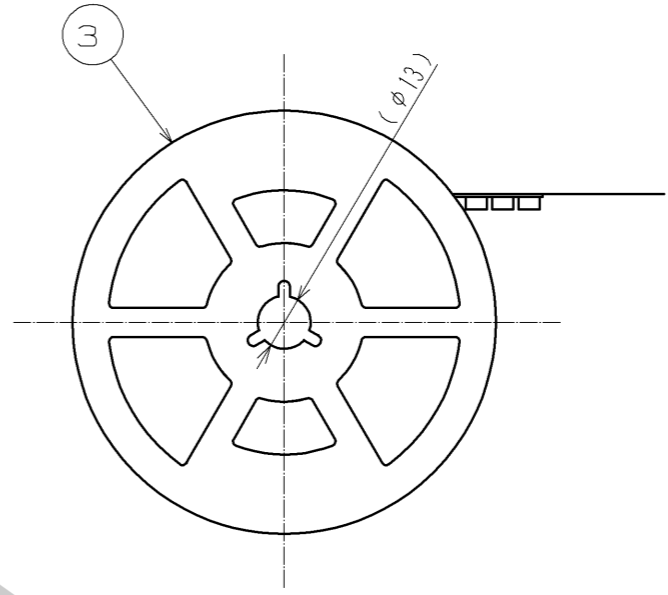
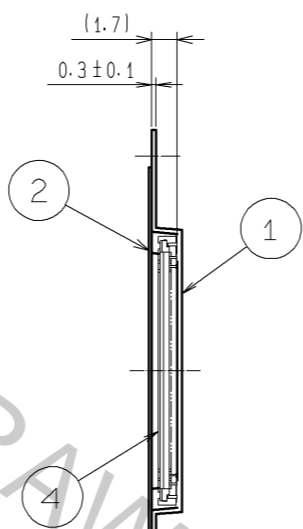
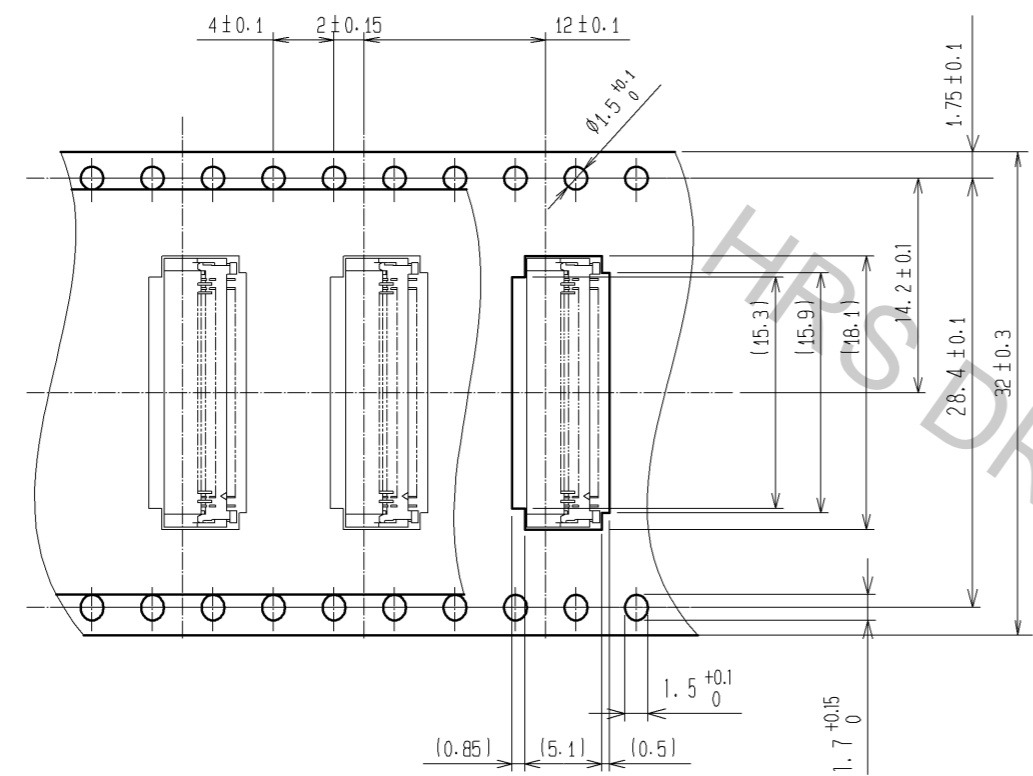
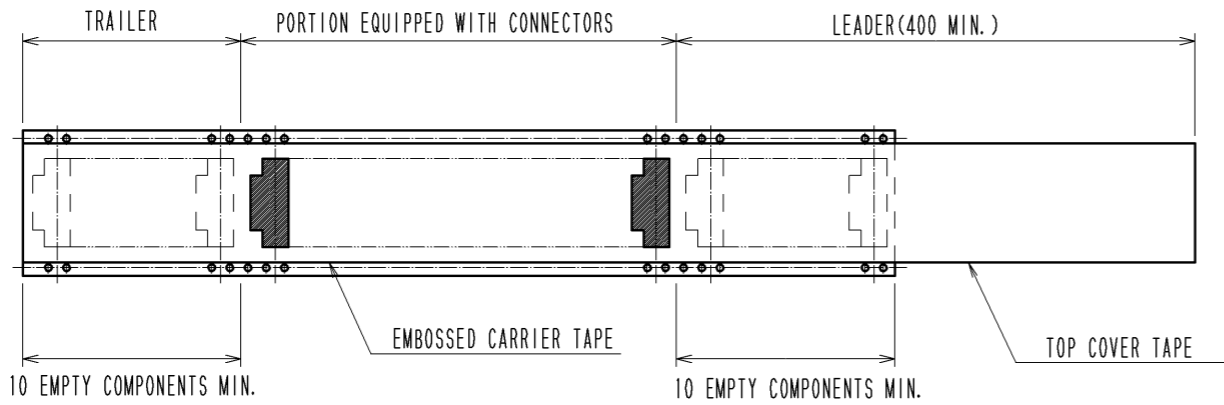


2	LCP	BLACK	UL94V-0	4	PHOSPHOR BRONZE	GOLD FLASH OVER NICKEL 1μmMIN.		
1	LCP	BEIGE	UL94V-0	3	PHOSPHOR BRONZE	GOLD FLASH OVER NICKEL 1μmMIN.		
NO.	MATERIAL	FINISH	REMARKS	NO.	MATERIAL	FINISH	REMARKS	
UNITS	mm	SCALE	10 : 1	COUNT	DESCRIPTION OF REVISIONS	DESIGNED	CHECKED	DATE
<b>HRS</b> HIROSE ELECTRIC CO., LTD.		APPROVED	: RI. TAKAYASU	07.07.17	DRAWING NO.	EDC3-153687-01		
		CHECKED	: TH. MURAI	07.07.17	PART NO.	FH23-51S-0.3SHAW(06)		
		DESIGNED	: TO. SHIBUYA	07.07.13	CODE NO.	CL586-1313-9-06		
		DRAWN	: WR. YAMADA	07.07.09				

Apr.1.2017 Copyright 2017 HIROSE ELECTRIC CO., LTD. All Rights Reserved.



→  
DIRECTION OF UNREELING



- NOTE 1 THE DIMENSIONS IN PARENTHESES ARE FOR REFERENCE.  
 2 PER REEL : 2500 CONNECTORS.  
 3 COMPLIANT TO JIS C 0806 (PACKAGING OF COMPONENTS FOR AUTOMATIC HANDLING.)

2	POLYESTER		4	(CONNECTOR)	
1	POLYSTYRENE		3	POLYSTYRENE	
NO.	MATERIAL	FINISH . REMARKS	NO.	MATERIAL	FINISH . REMARKS
UNITS mm		SCALE 2 : 1	COUNT 	DESCRIPTION OF REVISIONS	DESIGNED
<b>HRS</b> HIROSE ELECTRIC CO., LTD.		APPROVED : RI. TAKAYASU 07.07.17	DRAWING NO. EDC3-153687-01		
		CHECED : TH. MURAI 07.07.17	PART NO. FH23-51S-0.3SHAW(06)		
		DESIGNED : TO. SHIBUYA 07.07.13	CODE NO. CL586-1313-9-06		
		DRAWN : WR. YAMADA 07.07.09	DATE		