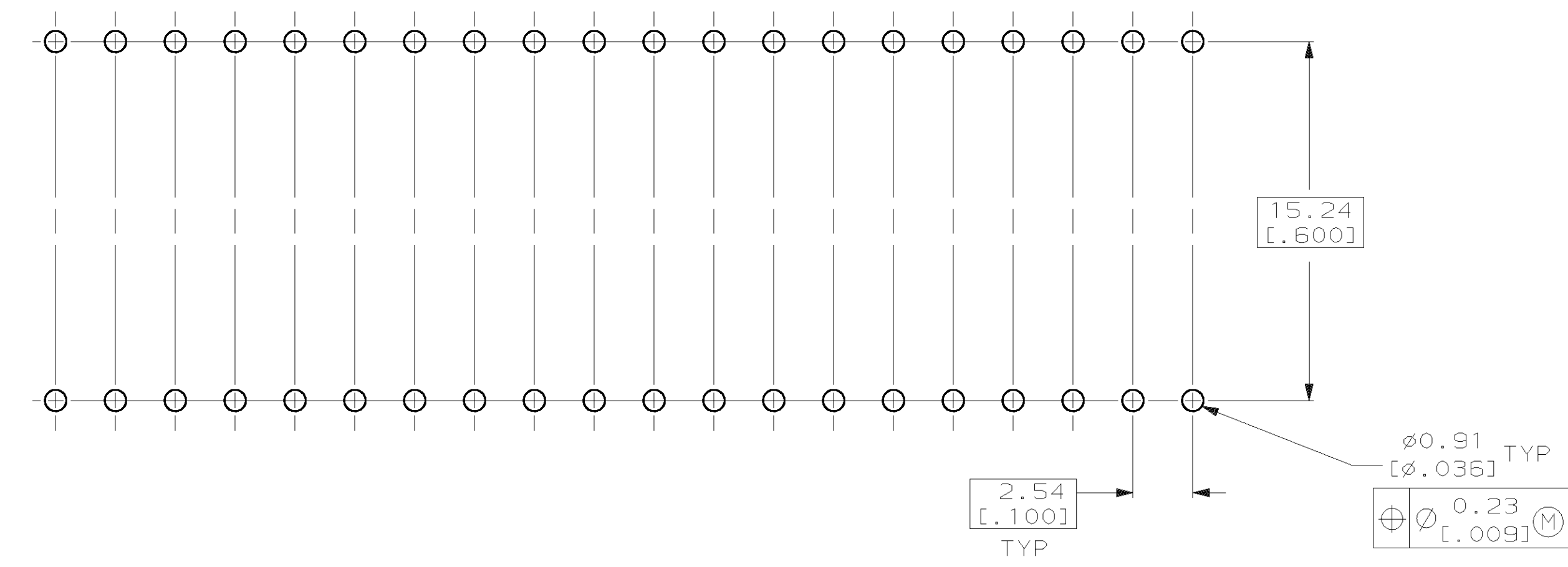
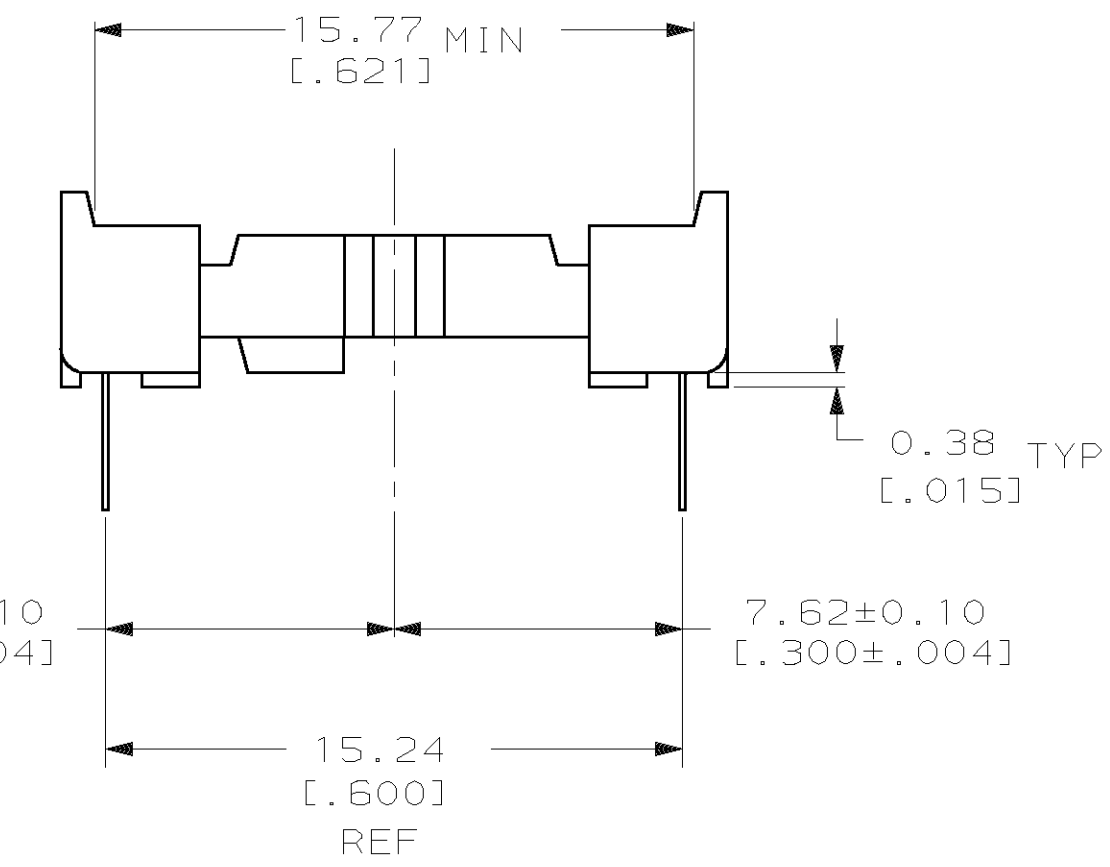
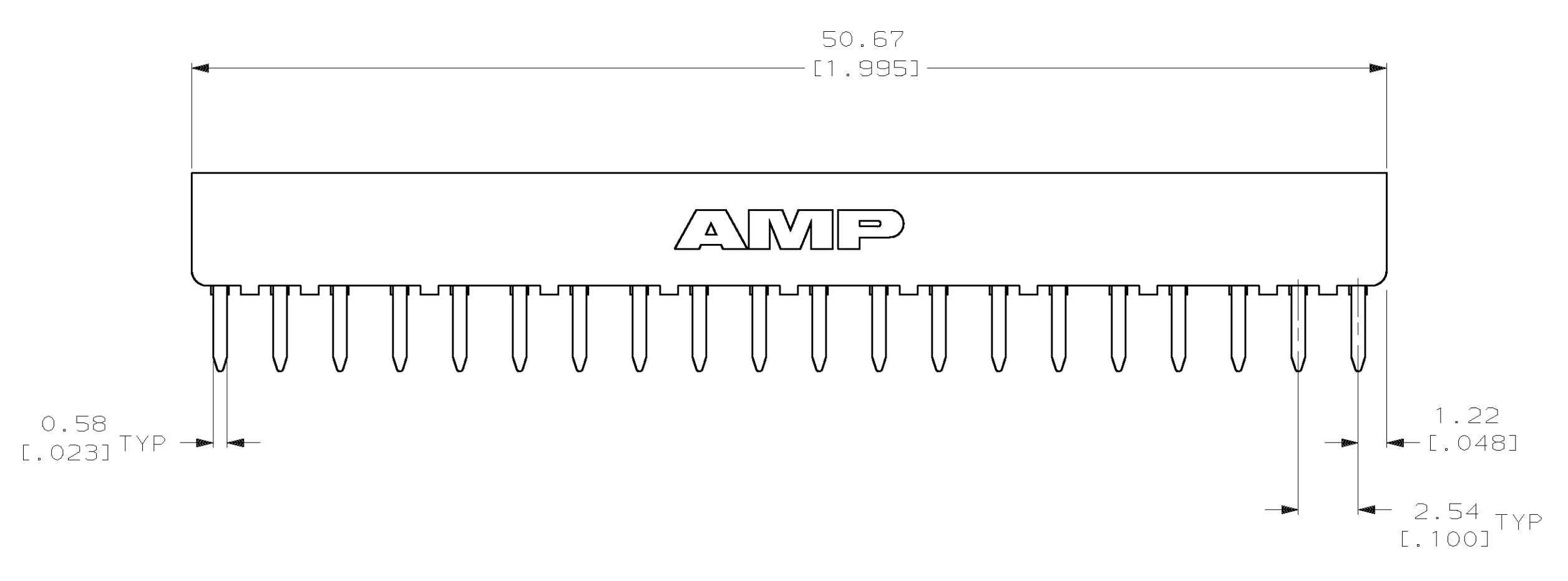
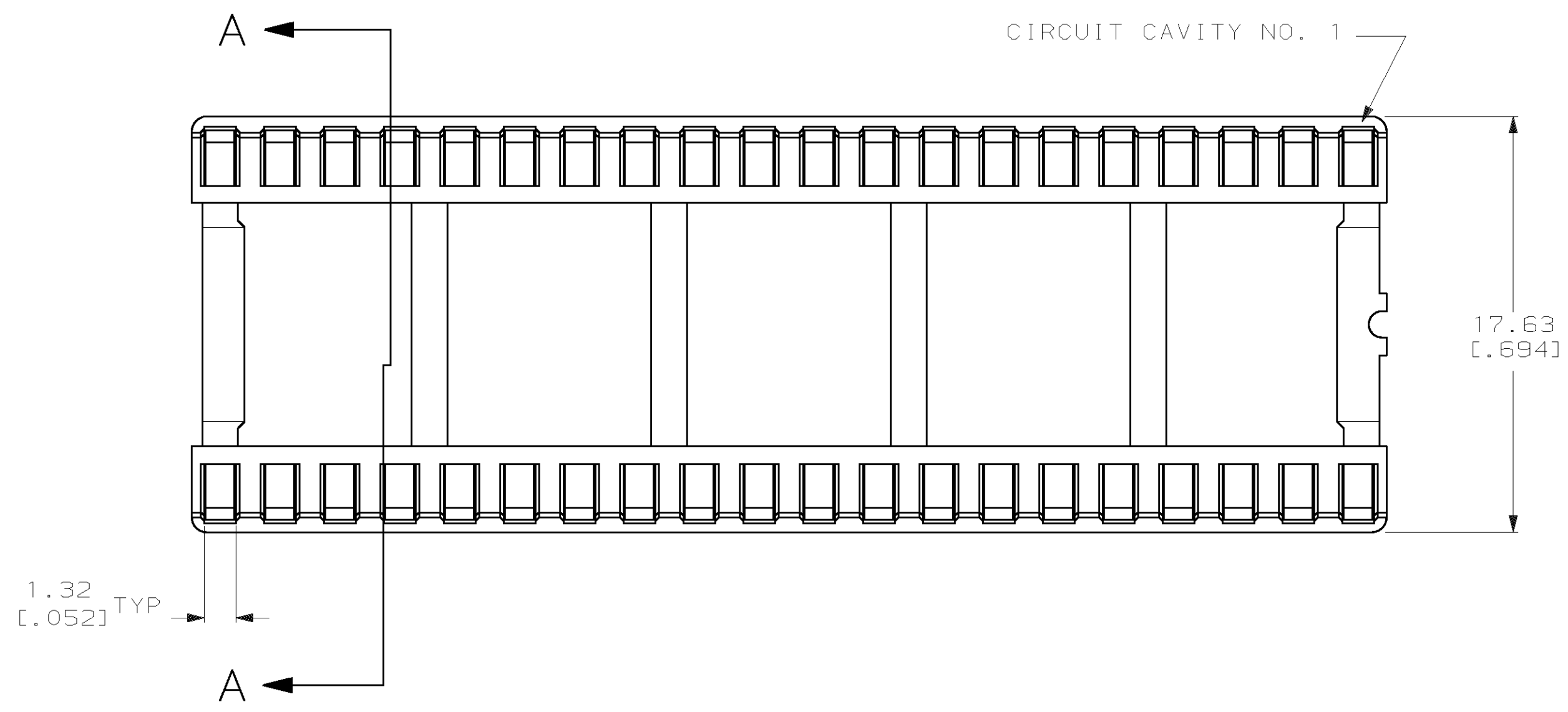


LOC		DIST		P		F		ZONE		LTR		REVISIONS			
FT	64											DESCRIPTION	DATE	APPD	
												E	REV PER 063C-0104-01	04SEP01	JO

CIRCUIT CAVITY NO. 1



RECOMMENDED MOUNTING HOLE PATTERN

- RECEPTABLE ACCEPTS AN 0.20-0.36 [.008-.014] THK I.C. LEAD.
- MATERIAL: HOUSING-GLASS FILLED THERMOPLASTIC, 94V-0, BLACK
- TUBE LOADED.
- TWO 0.00075 [.000030] MIN THK GOLD STRIPES IN CONTACT AREA, TIN-LEAD (93-7) ON CONTACT LEGS, BALANCE OF CONTACT NICKEL PLATED.

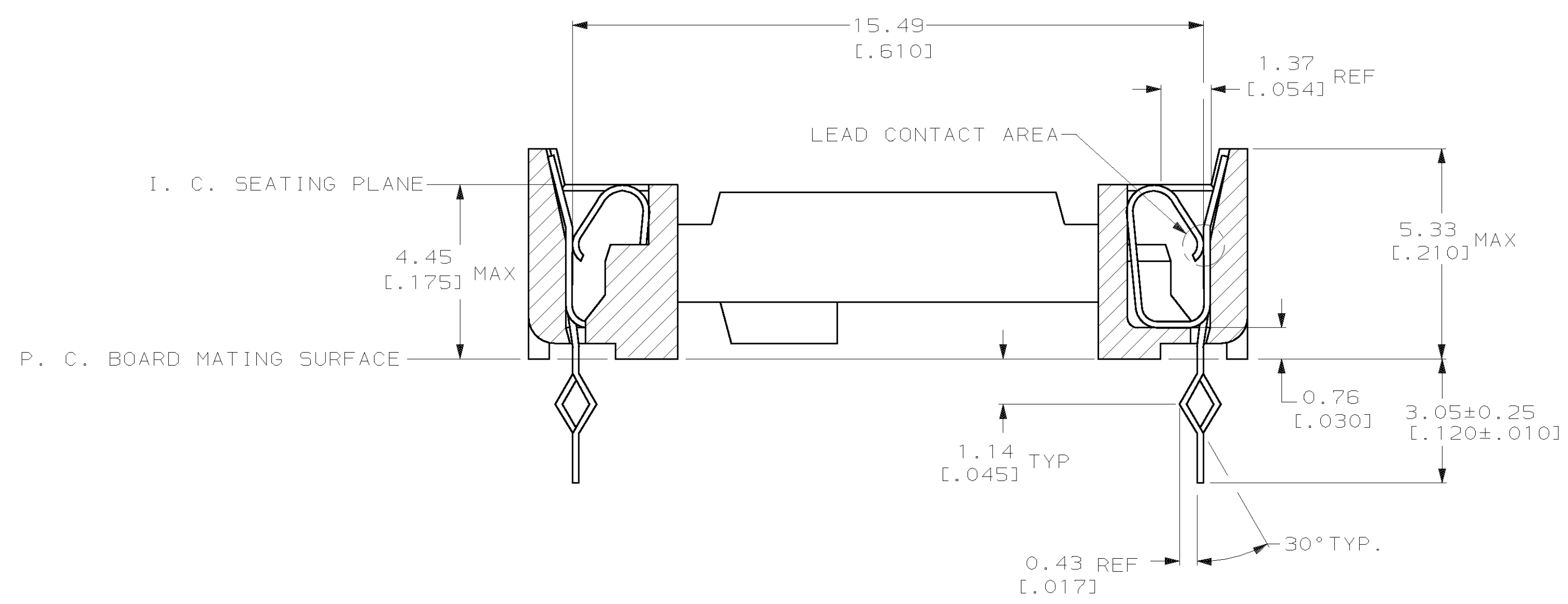
SUPERSEDED BY 390262-5

TINNED	PHOS.BRZ.0.15[.006]THK	2	2-382724-8
4	BE.CU.0.15[.006]THK	2	2-382724-7
TINNED	BE.CU.0.15[.006]THK	2	2-382724-6
TINNED	PHOS.BRZ.0.15[.006]THK	2	2-382724-3
4	BE.CU.0.15[.006]THK	2	2-382724-2
TINNED	BE.CU.0.15[.006]THK	2	2-382724-1
CONTACT PLATING	CONTACT MATERIAL	HOUSING MATERIAL	PART NUMBER

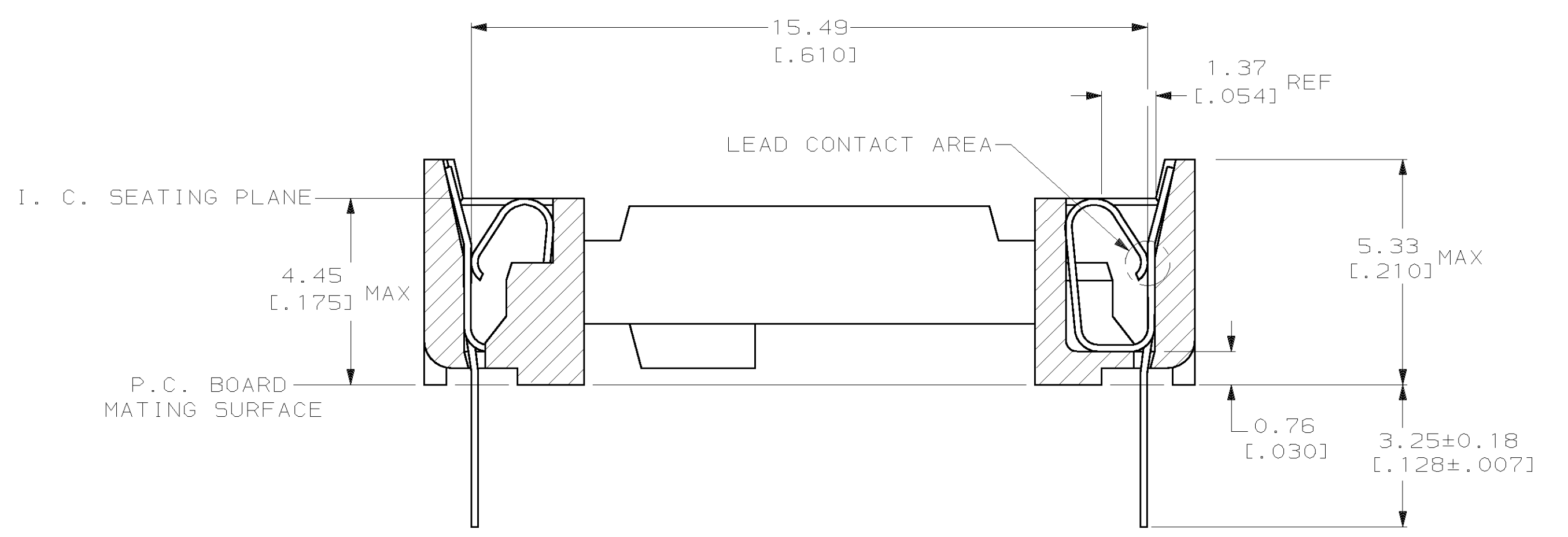
DO NOT SCALE PRINT. UNLESS SPECIFIED DIMENSIONS IN mm [INCHES]		DR 10-26-92 C.WHITT		AMP Incorporated Harrisburg, PA 17105-3608	
TOLERANCES ON:		CHK 11-3-92 R.TALLEY	NAME		
2 PLC DEC ±		APPD 11-6-92 F.BOYD	SOCKET ASSY, DIP, LADDER, 40 POS, DIPLOMATE DL		
3 PLC DEC ± 013 [.005]		APPD 11-6-92 L.STEPHENS	PRODUCT SPEC 108-1066		
ANGLES ±		APPLICATION SPEC 114-1049	SIZE D	CAGE CODE 00779	DRAWING NO C-382724
SEE TABLE		WEIGHT -	SCALE 5:1	SHEET 1 OF 2	

THIS DRAWING IS A CONTROLLED DOCUMENT FOR AMP INCORPORATED. IT IS SUBJECT TO CHANGE AND THE CONTROLLING ENGINEERING ORGANIZATION SHOULD BE CONTACTED FOR THE LATEST REVISION.

LOC		DIST		REVISIONS				
FT	64	P	F	ZONE	LTR	DESCRIPTION	DATE	APPD
					E	SEE SHEET 1	-	-



SECTION A-A
 ROTATED 90° CW
 SCALE 10:1
 FOR 2--6, 2--7, & 2--8 ONLY



SECTION A-A
 ROTATED 90° CW
 SCALE 10:1
 FOR 2--1, 2--2, & 2--3 ONLY

DO NOT SCALE PRINT. UNLESS SPECIFIED DIMENSIONS IN mm [INCHES]		DR 7-14-94 R. TALLEY		PART NO	
TOLERANCES ON:		CHK 7-14-94 R. TALLEY		AMP Incorporated Harrisburg, PA 17105-3608	
2 PLC DEC ±		APPD 7-14-94 F. BOYD		NAME	
3 PLC DEC ± 013 [0.005]		APPD 7-14-94 L. STEPHENS		SOCKET ASSY, DIP, LADDER, 40 POS, DIPLOMATE™ DL	
ANGLES ±		PRODUCT SPEC		SIZE	
MATERIAL		APPLICATION SPEC		CAGE CODE	
FINISH		WEIGHT		DRAWING NO	
				D 00779 C-382724	
				SCALE 5:1	
				SHEET 2 OF 2	

THIS DRAWING IS A CONTROLLED DOCUMENT FOR AMP INCORPORATED. IT IS SUBJECT TO CHANGE AND THE CONTROLLING ENGINEERING ORGANIZATION SHOULD BE CONTACTED FOR THE LATEST REVISION.