

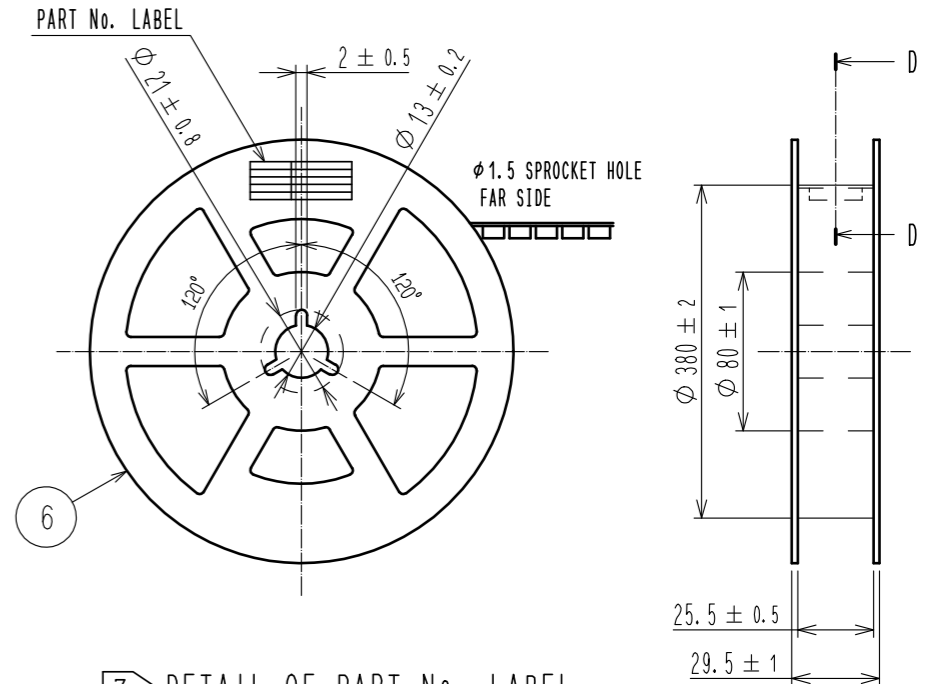
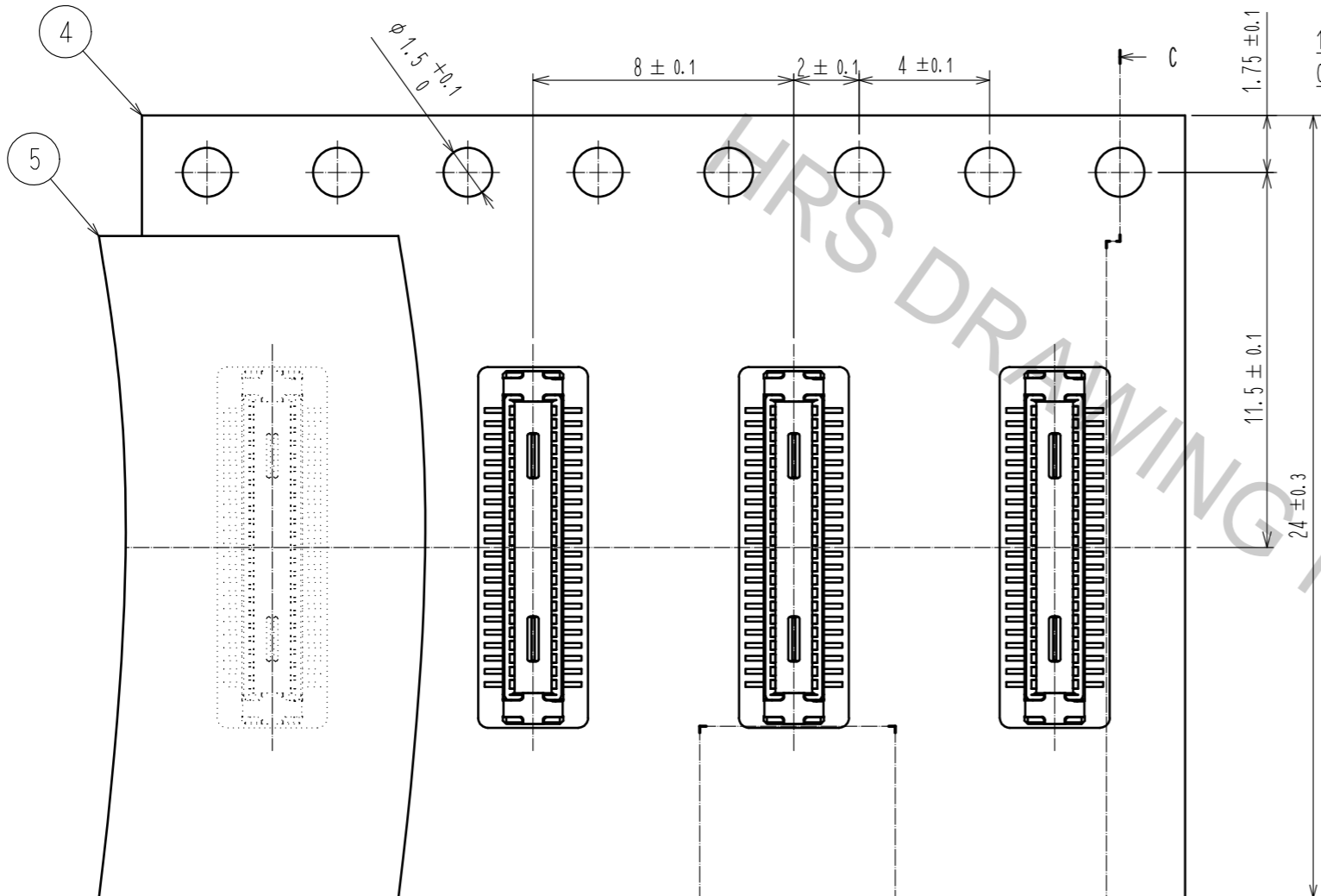
- NOTES
1. ALL LEAD CO-PLANARITY SHALL BE 0.1mm MAX.
 2. PLATING SPECIFICATIONS
 CONTACT AREA : GOLD 0.05 μm MIN
 SMT LEAD : GOLD 0.05 μm MIN
 UNDER PLATING : NICKEL 1 μm MIN
 (SURFACE : SEALING)
 3. HRS MARK AND CAV No. ARE INDICATED IN APPROX POSITION SHOWN.

3	STAINLESS STEEL	2	7	PS	CLEAR(REINFORCEMENT COLLAR)			
2	PHOSPHOR BRONZE	2	6	PS	BLACK(PLASTIC REEL)			
1	LCP	BLACK, UL94 V-0	5	POLYESTER	CLEAR(COVER TAPE)			
			4	PS	CLEAR(EMBOSSED CARRIER TAPE)			
NO.	MATERIAL	FINISH, REMARKS	NO.	MATERIAL	FINISH, REMARKS			
UNITS	mm	SCALE	10:1	COUNT	DESCRIPTION OF REVISIONS	DESIGNED	CHECKED	DATE
HRS HIROSE ELECTRIC CO., LTD.		APPROVED : MO. ISHIDA	15.07.28	DRAWING NO. EDC-355294-58-01				
		CHECKED : WR. FUKUCHI	15.07.28	PART NO. DF40GL-44DP-0.4V(58)				
		DESIGNED : SJ. WADA	15.07.27	CODE NO. CL684-4412-2-58				
		DRAWN : KR. AJITO	15.07.27					

Apr.1.2017 Copyright 2017 HIROSE ELECTRIC CO., LTD. All Rights Reserved.

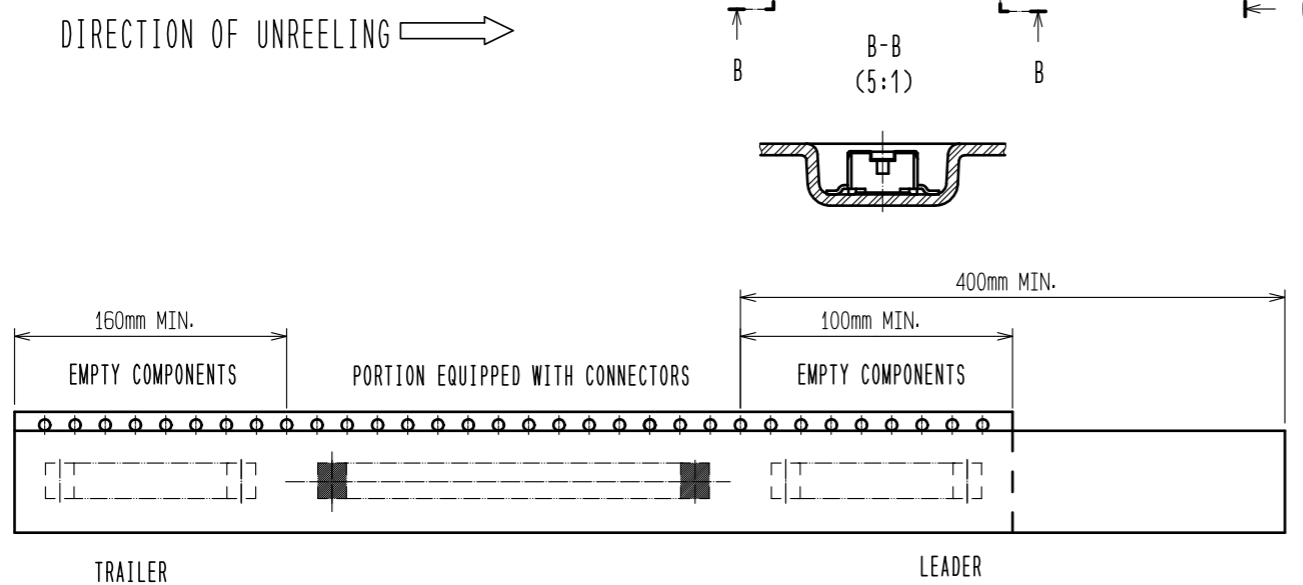
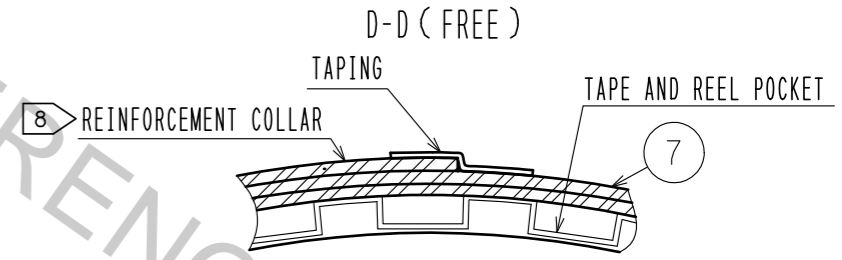
EMBOSSED CARRIER TAPE PACKAGING (5:1)

STYLE AND DIMENSION OF REEL (FREE)



7) DETAIL OF PART No. LABEL

製造年月日	** ** *
製品コード	CL684-4412-2-58
製品名	DF40GL-44DP-0.4V(58)
数量	1,000
納入者	ヒロセ電機(株)



- NOTES
- 4. PER REEL 1000 CONNECTORS.
 - 5. THE DIMENSIONS IN PARENTHESES ARE FOR REFERENCE.
 - 6) REFER TO JIS C 0806 (IEC 60286-3, PACKING OF COMPONENTS FOR AUTOMATIC HANDLING)
 - 7) DETAIL OF PART No. LABEL IS WRITTEN IN JAPANESE. PART No. LABEL DESCRIBES THE FOLLOWING INFORMATION FROM TOP.
 PRODUCTION DATE:
 PRODUCT CODE: CL684-4412-2-58
 PART NUMBER: DF40GL-44DP-0.4V(58)
 NUMBER OF PIECES: 1000 PIECES
 SUPPLIER NAME: HIROSE ELECTRIC CO., LTD.
 - 8) AFTER PACKAGING, ROLL 2 METERS OF THE REINFORCEMENT COLLAR TO OUTER CIRCUMFERENCE OF TAPE AND REEL POCKET, AND TAPE DOWN AT THE END THE COLLAR.

HRS	DRAWING NO.	EDC-355294-58-01
	PART NO.	DF40GL-44DP-0.4V(58)
	CODE NO.	CL684-4412-2-58
		2/2