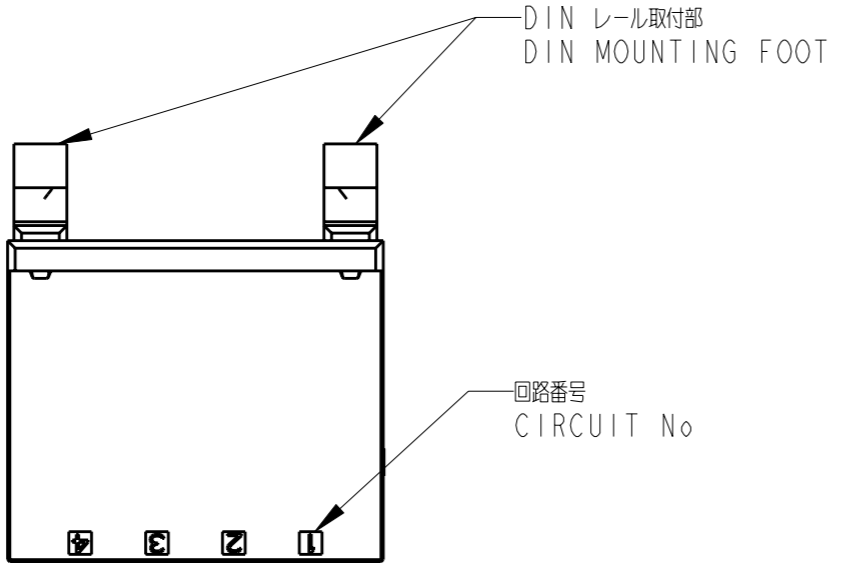
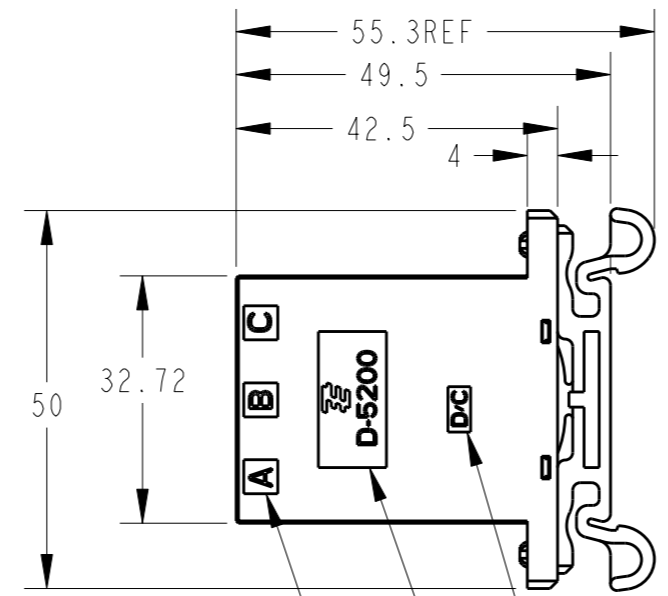
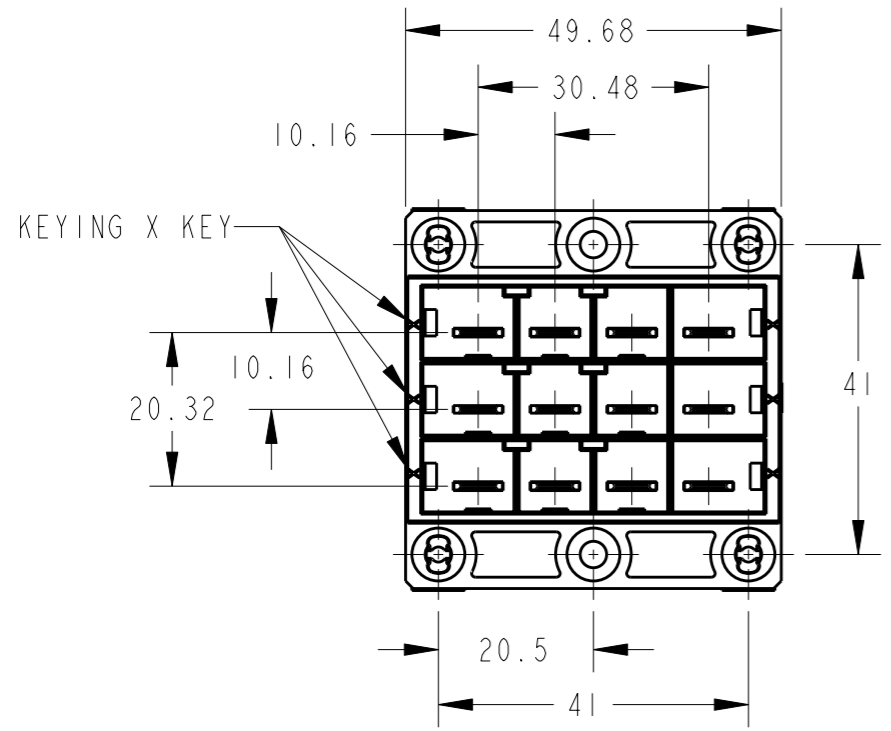
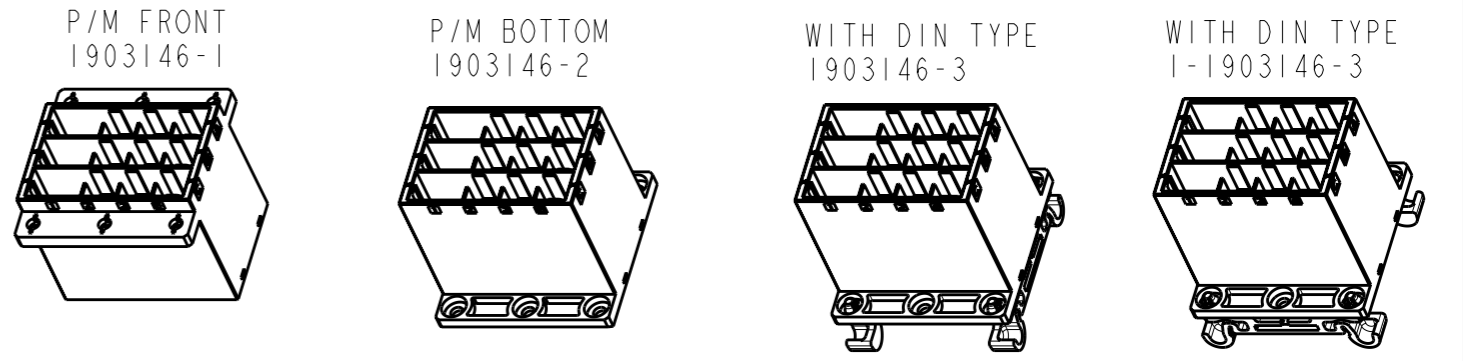


THIS DRAWING IS UNPUBLISHED. RELEASED FOR PUBLICATION 20
 © COPYRIGHT 20 BY TYCO ELECTRONICS CORPORATION. ALL RIGHTS RESERVED.

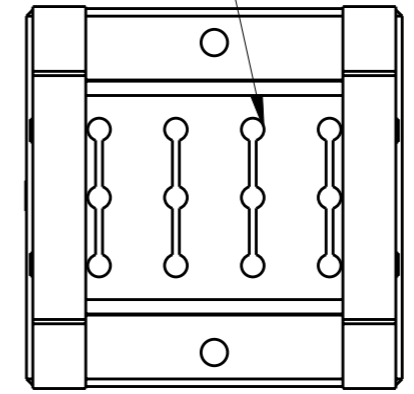
LOC	DIST	REVISIONS				
P	LTR	DESCRIPTION	DATE	DWN	APVD	
J	-	C	REVISED PER ECR-10-013244	10JUL2010	HMR	TM



AS SHOWN: 1903146-3
(WITH DIN TYPE)



キャップハウジング
CAP HOUSING

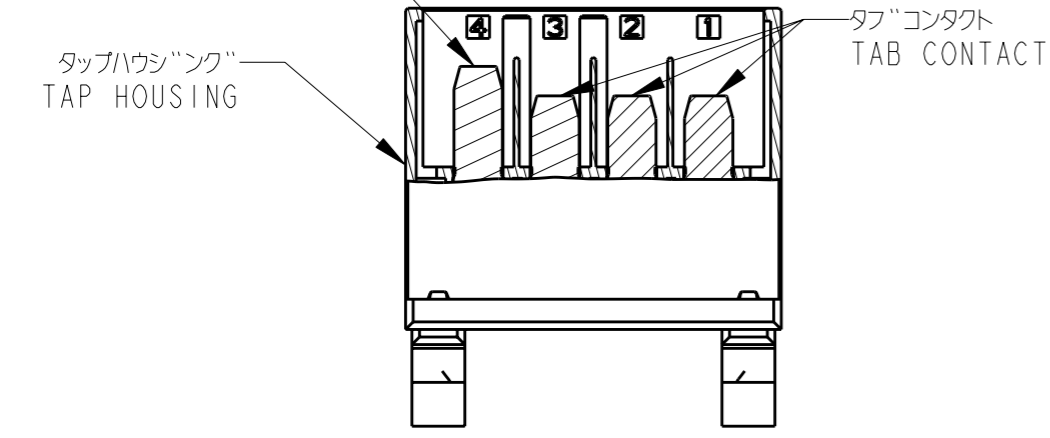


- 注記
- 材料:ハウジング:熱可塑性ホリエステル樹脂 黒色
:DIN レール取付部:熱可塑性ホリエステル樹脂 黒色
:コンタクト:銅合金
 - メッキ:コンタクト:全面Ni下地1.3μmMIN.
接点部メッキ0.38μmMIN
 - DINレール取付適用幅は、35±0.3mmとする。

NOTES

- MATERIAL
:HOUSING:GLASS FIELD THERMO PLASTIC,POLYESTER COLOR:BLACK
:DIN RAIL FOOT:GLASS FIELD THERMO PLASTIC,POLYESTER COLOR:BLACK
:CONTACT:COPPER ALLOY
- FINISH
:UNDER PLATE:Ni 1.3μm MIN,CONTACT AREA:Au 0.38μm MIN
- WIDTH OF DIN RAIL ATTACHMENT APPLICATION:35±0.3mm

ロングタブコンタクト
LONG TAB CONTACT



テートコート
DATE CODE

Tycoマーク&シリーズマーク
Tyco MARK & SERIES MARK

列番号
Row No

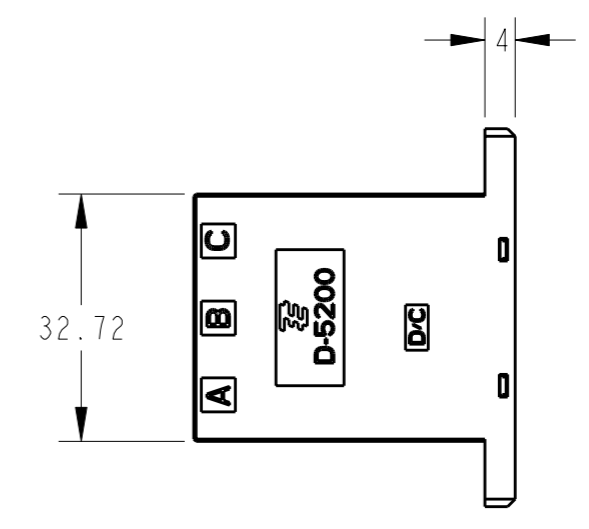
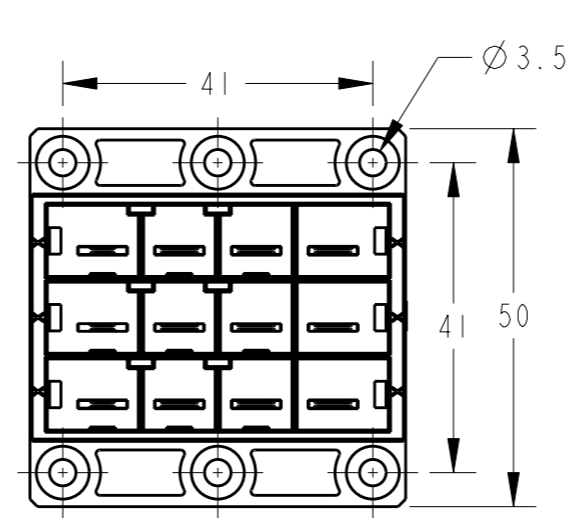
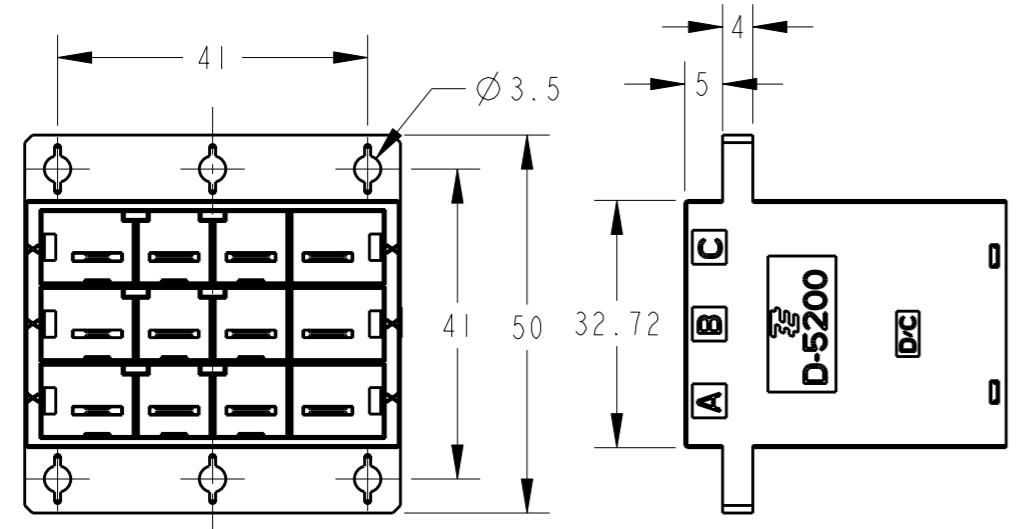
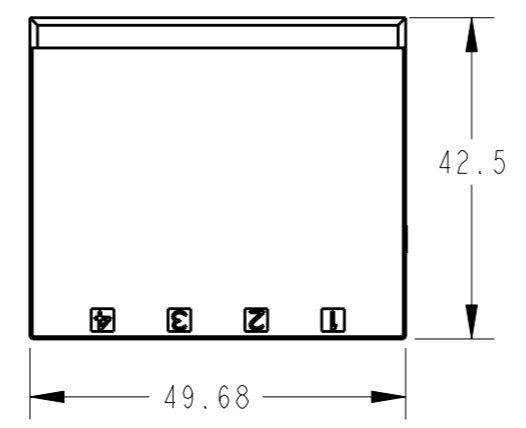
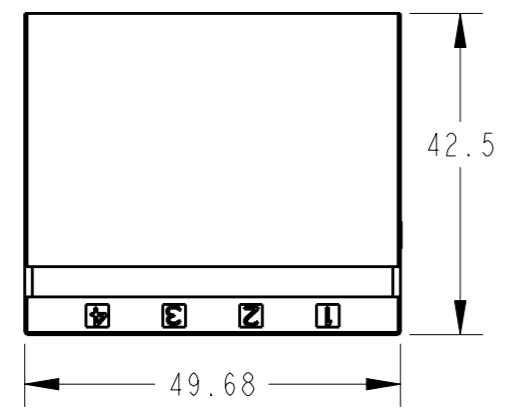
DIMENSIONS: mm		TOLERANCES UNLESS OTHERWISE SPECIFIED:	
0 PLC	±		
1 PLC	±	±0.4	
2 PLC	±	±3°	
3 PLC	±		
4 PLC	±		
ANGLES	±		
MATERIAL	-	FINISH	-

DWN	T. Sakamoto	11OCT2006
CHK	D. Mitsugi	11OCT2006
APVD	D. Mitsugi	11OCT2006
PRODUCT SPEC	108-78370	
APPLICATION SPEC	114-5206	
WEIGHT	-	
CUSTOMER DRAWING		

Tyco Electronics		Tyco Electronics AMP K.K. Kawasaki, Japan	
NAME DYNATAP CONN. 12P ASSY DYNAMIC D-5200SERIES			
SIZE	CAGE CODE	DRAWING NO	RESTRICTED TO
A3	00779	1903146	-
SCALE		SHEET	OF
		2	REV C

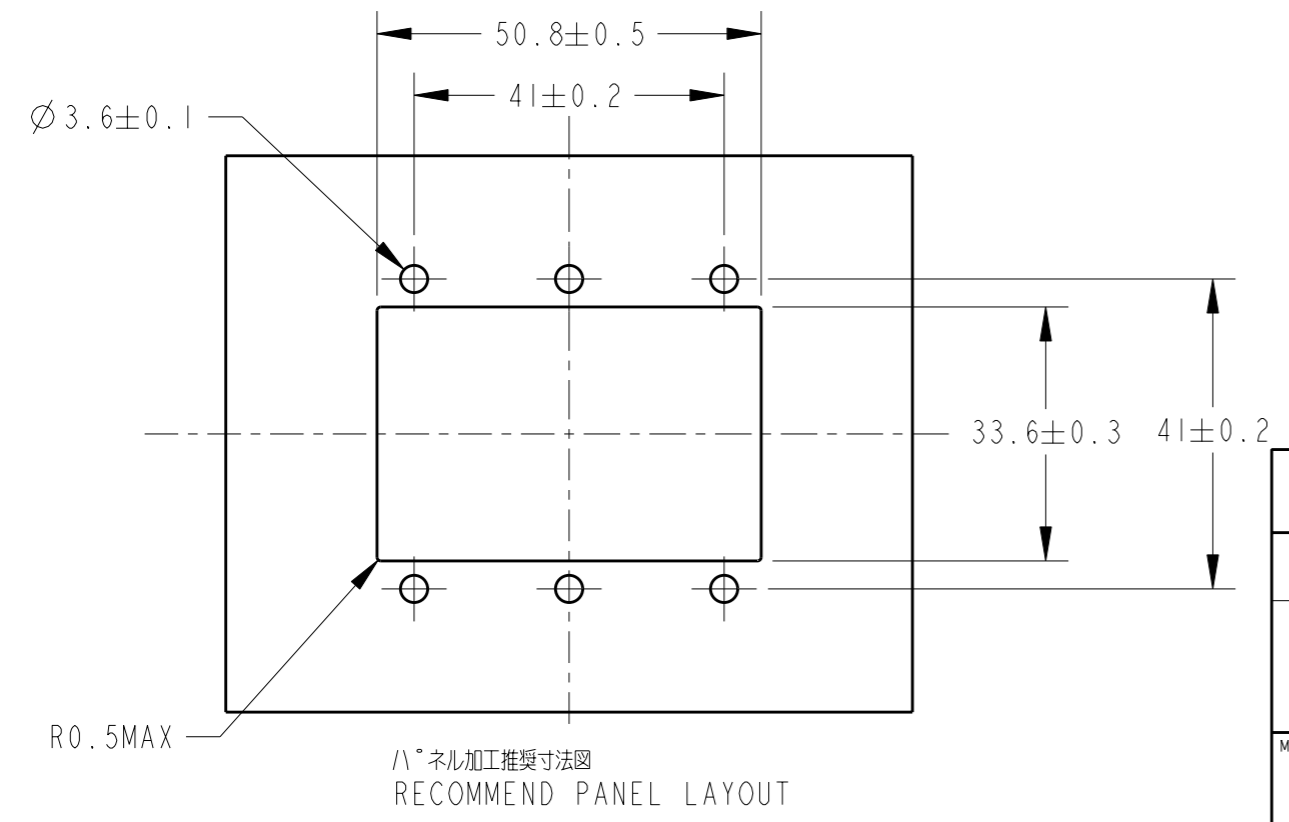
THIS DRAWING IS UNPUBLISHED. RELEASED FOR PUBLICATION 20
 © COPYRIGHT 20 BY TYCO ELECTRONICS CORPORATION. ALL RIGHTS RESERVED.

LOC	DIST	REVISIONS			
P	LTR	DESCRIPTION	DATE	DWN	APVD
J	-	SEE SHEET 1 OF 2	-	-	-



AS SHOWN 1903146-1
(P/M FRONT)

AS SHOWN 1903146-2
(P/M BOTTOM)



THIS DRAWING IS A CONTROLLED DOCUMENT FOR TYCO ELECTRONICS CORPORATION
 IT IS SUBJECT TO CHANGE AND THE CONTROLLING ENGINEERING ORGANIZATION
 SHOULD BE CONTACTED FOR THE LATEST REVISION.

DIMENSIONS:	TOLERANCES UNLESS OTHERWISE SPECIFIED:
mm	0 PLC ± ±0.4
	1 PLC ± ±3°
	2 PLC ± ±
	3 PLC ± ±
	4 PLC ± ±
	ANGLES ± ±
MATERIAL -	FINISH -

DWN	T. Sakamoto	11OCT2006
CHK	D. Mitsugi	11OCT2006
APVD	D. Mitsugi	11OCT2006
PRODUCT SPEC	108-78370	
APPLICATION SPEC	114-5206	
WEIGHT	-	
CUSTOMER DRAWING		

		Tyco Electronics AMP K.K. Kawasaki, Japan	
NAME DYNATAP CONN. 12P ASSY DYNAMIC D-5200SERIES			
SIZE	CAGE CODE	DRAWING NO	RESTRICTED TO
A3	00779	C-1903146	-
SCALE		SHEET	REV
:		2	C