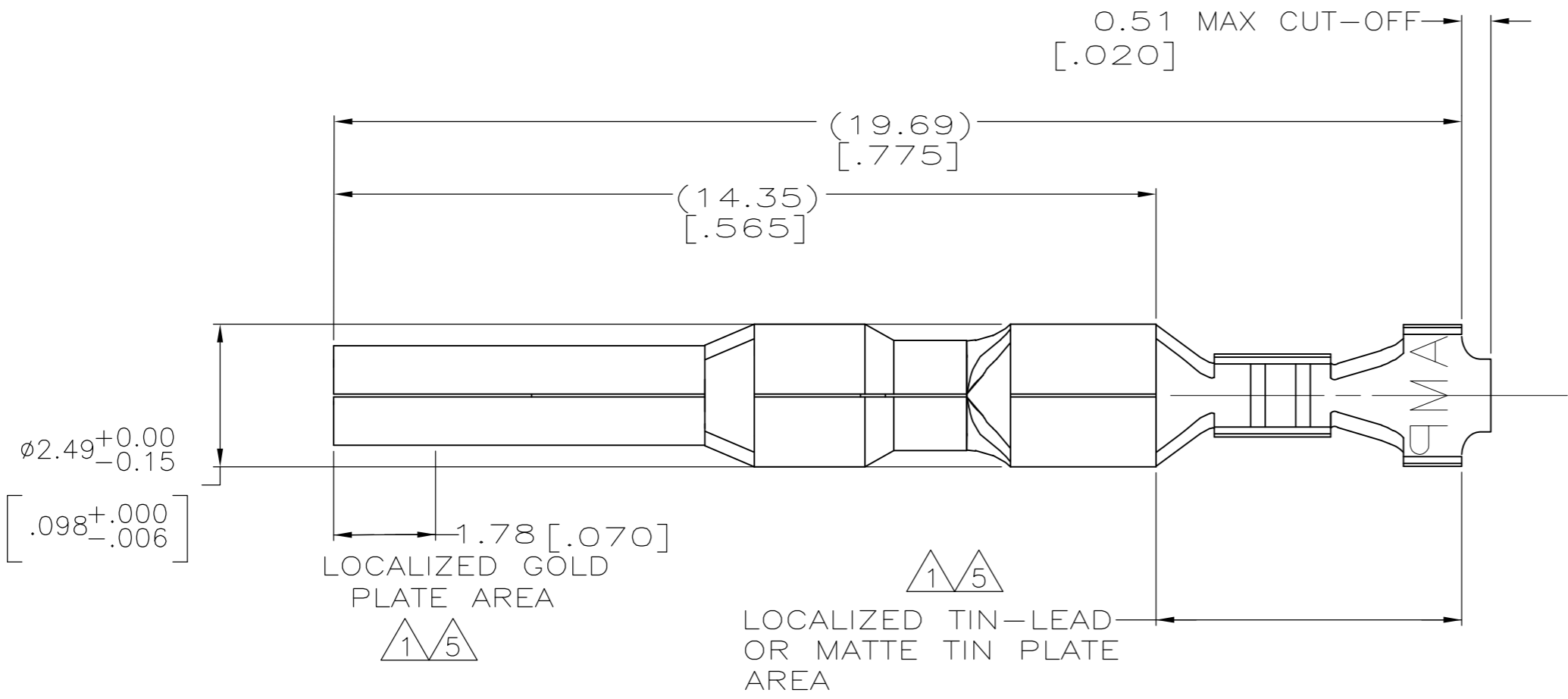
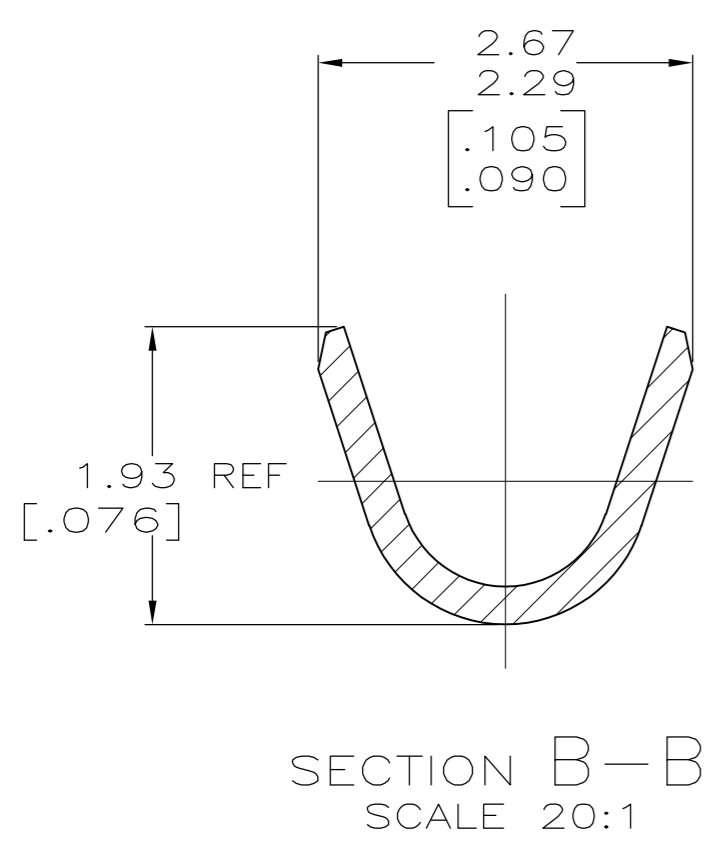
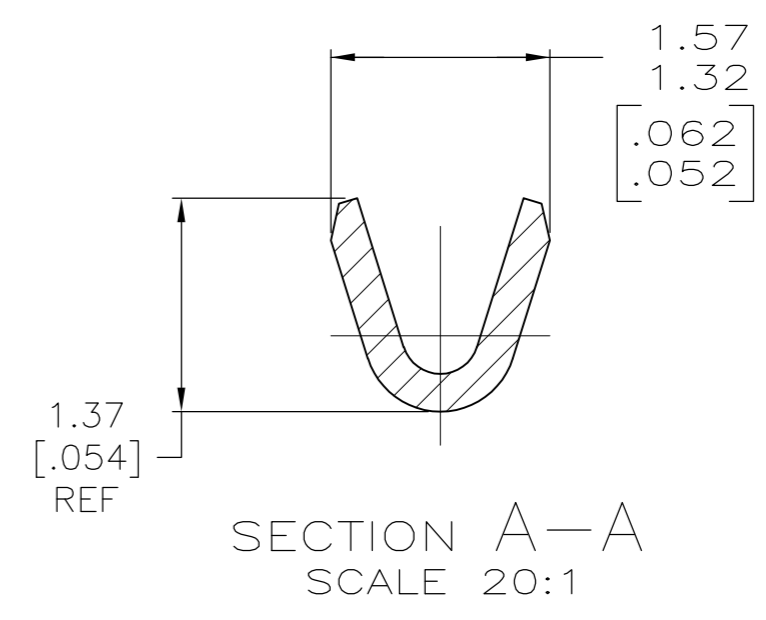
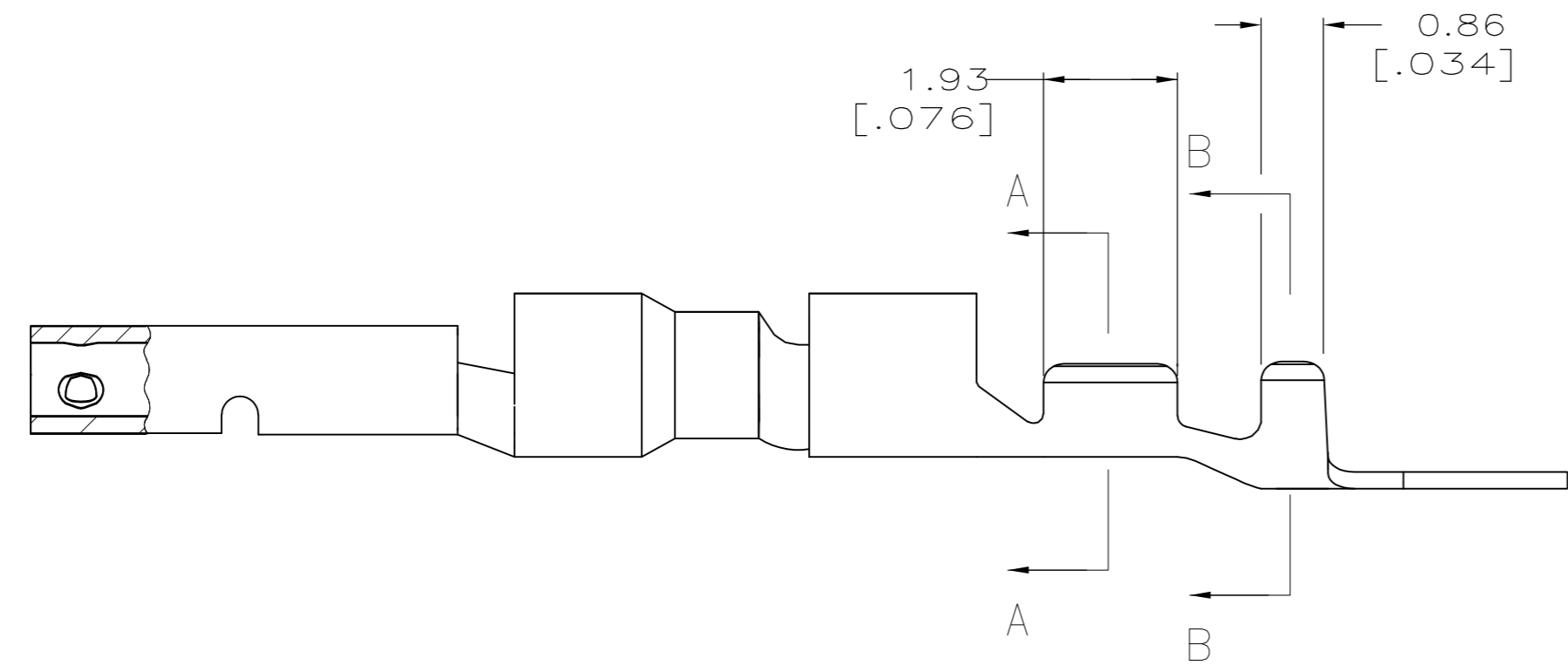


THIS DRAWING IS UNPUBLISHED. RELEASED FOR PUBLICATION  
 © COPYRIGHT BY TYCO ELECTRONICS CORPORATION. ALL RIGHTS RESERVED.

LOC	DIST	REVISIONS					
CM	0	P	LTR	DESCRIPTION	DATE	DWN	APVD
		E		REVISED PER 0G3B-0237-05	9/21/05	SS	CJ
		E1		REVISED PER ECO-09-022908	08OCT09	KK	AEG



- 1. 0.00076 [.000030] MIN GOLD IN LOCALIZED GOLD PLATE AREA AND 0.00254 [.000100] MIN BRIGHT TIN-LEAD IN LOCALIZED TIN-LEAD PLATE AREA OVER 0.0013 [.000050] MIN NICKEL.
- 2. WIRE RANGE: 0.05 - 0.15MM<sup>2</sup> (30-26 AWG).
- 3. INSULATION RANGE: 0.89-1.27 [.035-.050] DIA.
- 4. DIMENSIONS IN BRACKETS ARE IN INCHES.
- 5. 0.00076 [.000030] MIN GOLD IN LOCALIZED GOLD PLATE AREA AND 0.00254 [.000100] MIN MATTE TIN IN LOCALIZED TIN PLATE AREA OVER 0.0013 [.000050] MIN NICKEL.
- 6. OBSOLETE PARTS: OBSOLETE CIS STREAMLINING PER D.RENAUD/D.SINISI



6	SUPERSEDED	5	0.25 [.010] BRASS	1-794225-0
		1	0.25 [.010] BRASS	794225-3
		PRE-TIN	0.25 [.010] BRASS	794225-1
		FINISH	MATERIAL	PART NUMBER

THIS DRAWING IS A CONTROLLED DOCUMENT.		DWN	R. VESTAL	1-15-97	Tyco Electronics Corporation Harrisburg, PA 17105-3608		
DIMENSIONS: mm [INCHES]		CHK	R. SWING	1-15-97			
TOLERANCES UNLESS OTHERWISE SPECIFIED:		APVD	-	-	NAME		
0 PLC ± -		PRODUCT SPEC	-	-	SOCKET, LOOSE PIECE, MINI UNIVERSAL MATE-N-LOK 2		
1 PLC ± -		APPLICATION SPEC	-	-	SIZE	CAGE CODE	DRAWING NO
2 PLC ± -		WEIGHT	-	-	A2	00779	C=794225
3 PLC ± 0.15 [.006]		CUSTOMER DRAWING	SCALE	10:1	SHEET	1 of 1	REV
4 PLC ± -							E1
ANGLES ± -							
FINISH							
SEE TABLE							