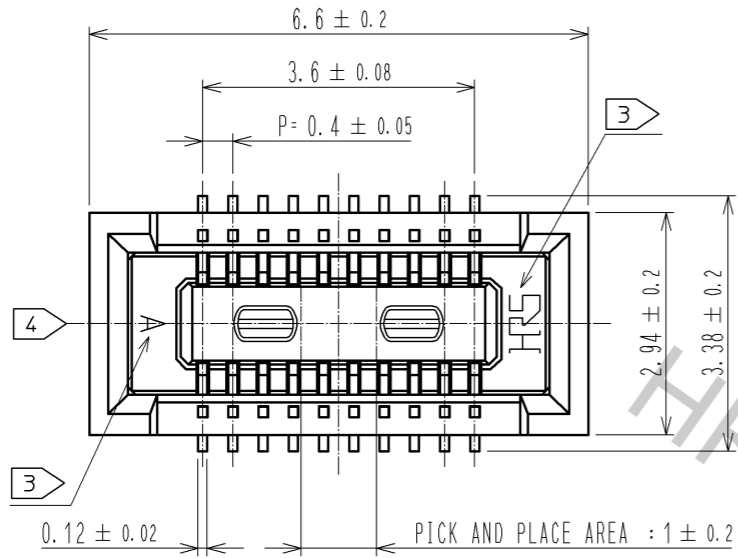
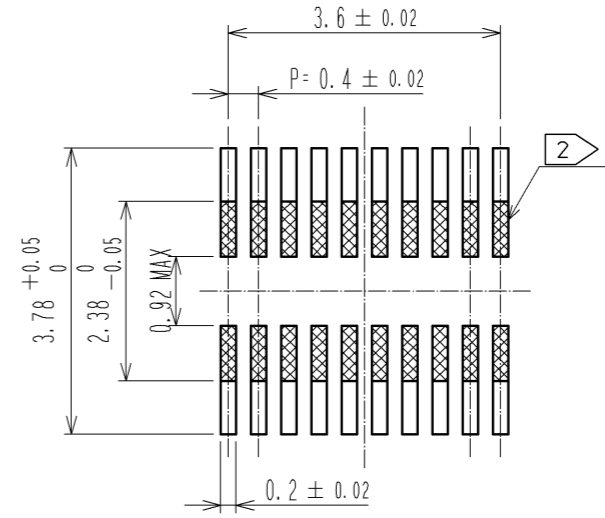


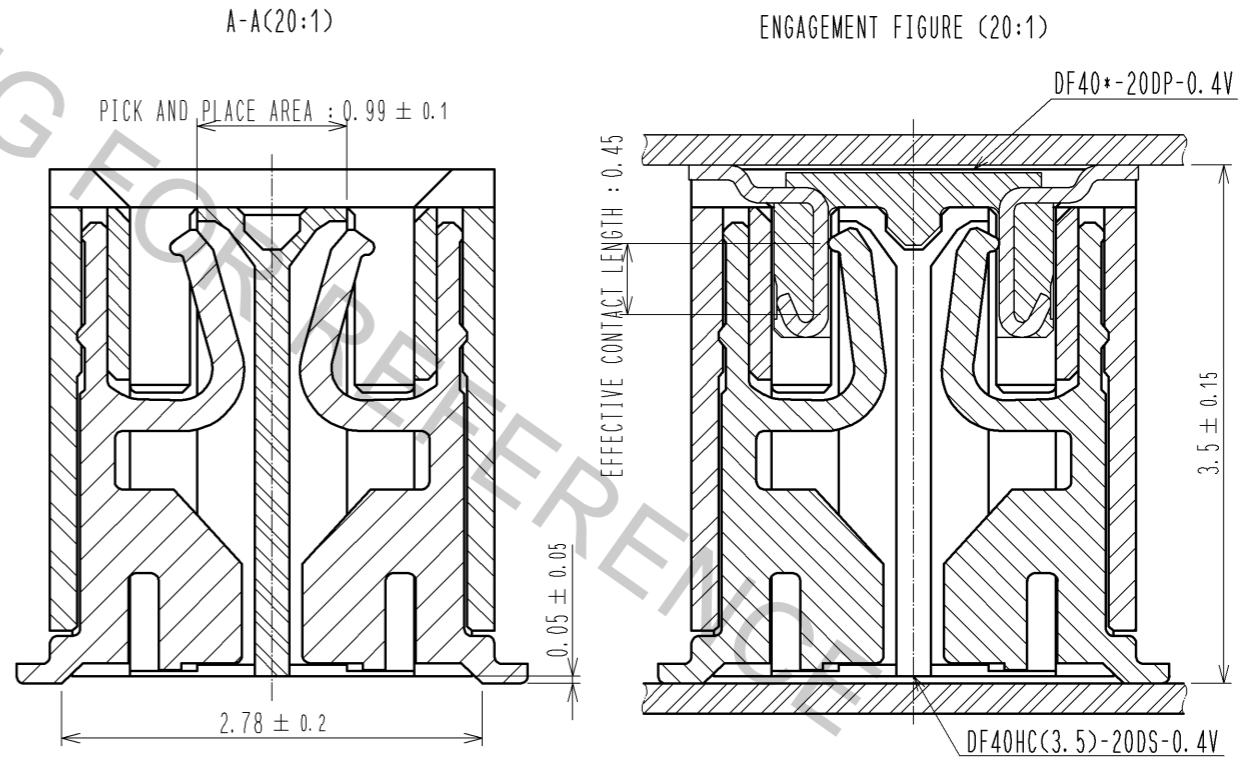
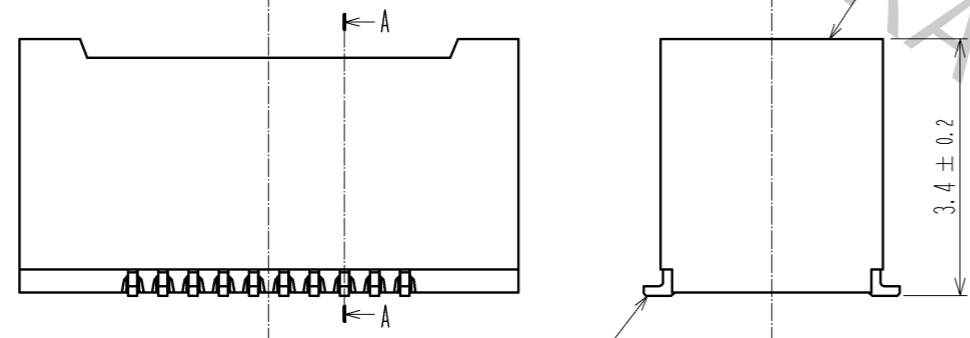
Apr.1.2017 Copyright 2017 HIROSE ELECTRIC CO., LTD. All Rights Reserved.



RECOMMENDED PATTERN



RECOMMENDED METAL MASK THICKNESS : 120 μm  
 RECOMMENDED METAL MASK OPENING RATIO : 80% FOR LEAD PAD

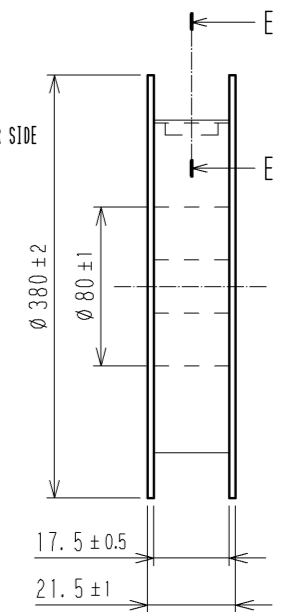
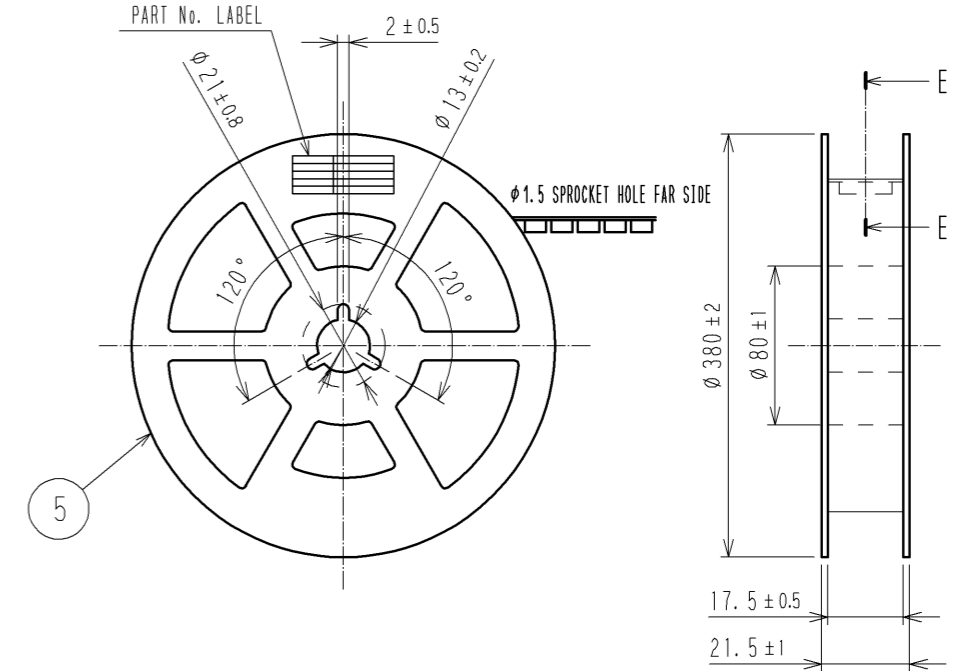
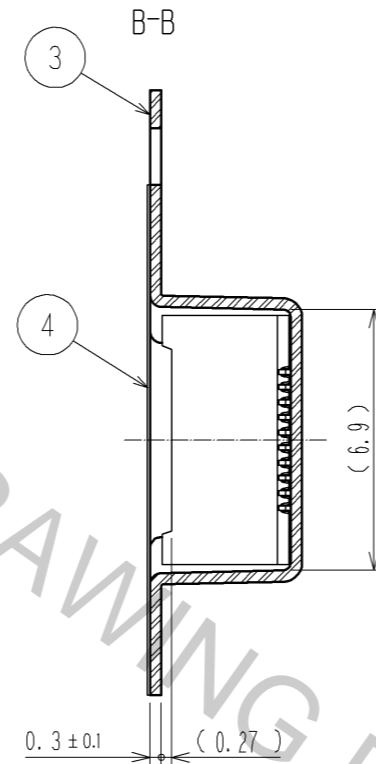
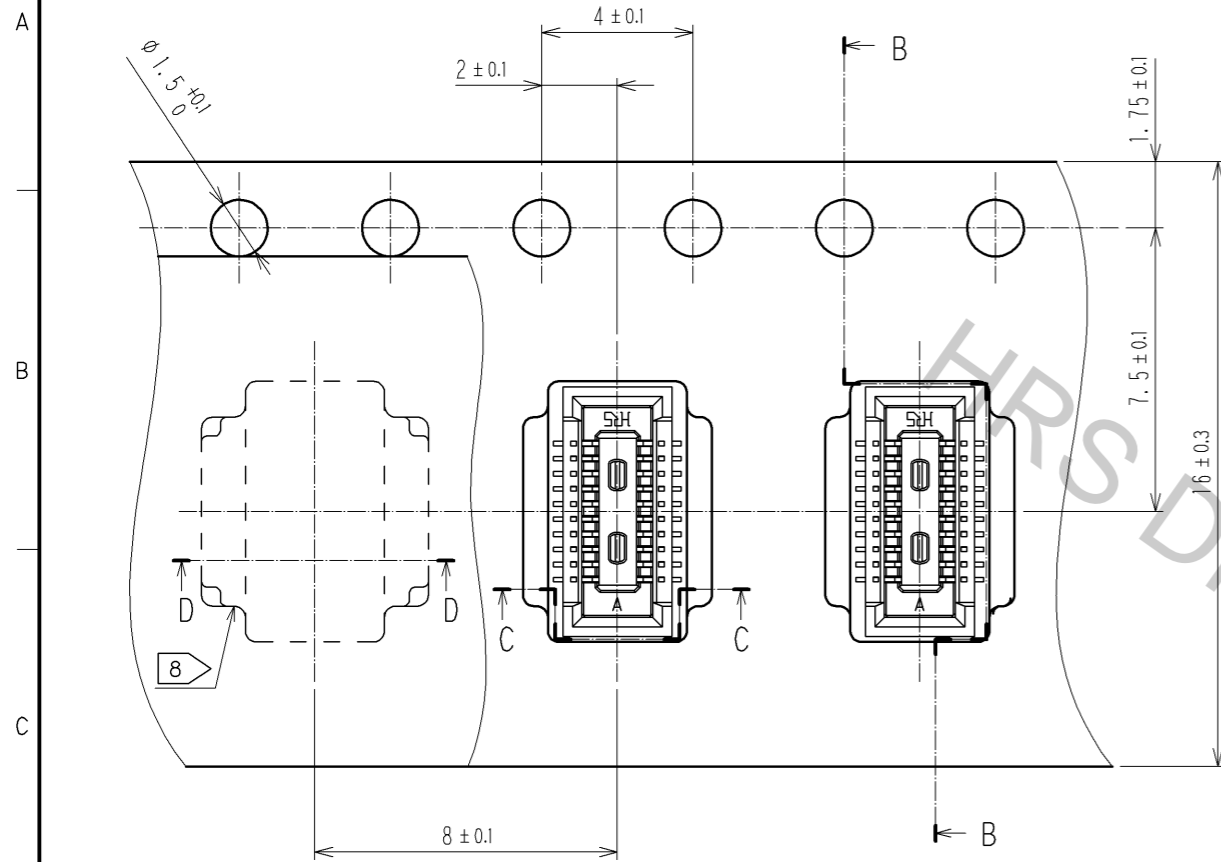


- NOTES) 1. ALL LEADS CO-PLANARITY SHALL BE 0.1 MAX.  
 2. IS NO PATTERN AREA OTHER THAN THE SAME CIRCUIT.  
 3. HRS MARK AND CAV NO. ARE INDICATED IN APPROXIMAL POSITION SHOWN.  
 4. GATE POSITION IS POSITIONED IN PPROXIMAL AREA SHOWN.

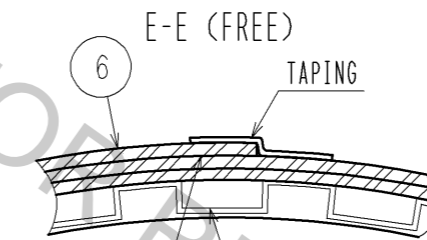
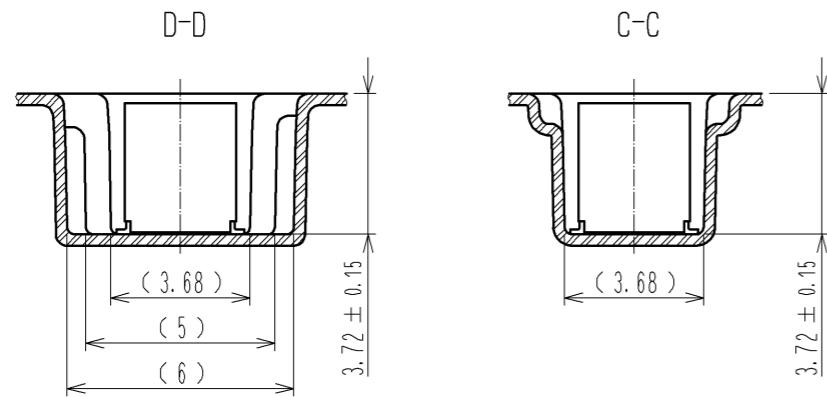
2	PHOSPHOR BRONZE	CONTACT AREA:GOLD 0.05 μm MIN SMT LEAD:GOLD 0.05 μm MIN UNDERPLATING:NICKEL 1 μm MIN	6	PS	CLEAR, REINFORCEMENT COLLAR		
			5	PS	BLACK, PLASTIC REEL		
			4	POLYESTER	CLEAR, COVER TAPE		
1	LCP	BLACK, UL94V-0	3	PS	CLEAR, EMBOSSED CARRIER TAPE		
NO.	MATERIAL	FINISH, REMARKS	NO.	MATERIAL	FINISH, REMARKS		
UNITS mm		SCALE 10:1	COUNT 	DESCRIPTION OF REVISIONS	DESIGNED	CHECKED	DATE
<b>HRS</b> HIROSE ELECTRIC CO., LTD.		APPROVED : KH. IKEDA	14.01.27	DRAWING NO. EDC3-345683-01			
		CHECED : YH. MICHIDA	14.01.27	PART NO. DF40HC(3.5)-20DS-0.4V(51)			
		DESIGNED : RT. SHIMIZU	14.01.27	CODE NO. CL684-4188-0-51			
		DRAWN : KR. AJITO	14.01.27			1/2	

EMBOSSED CARRIER TAPE (FREE)

STYLE AND DIMENSION OF REEL (FREE SIZE)



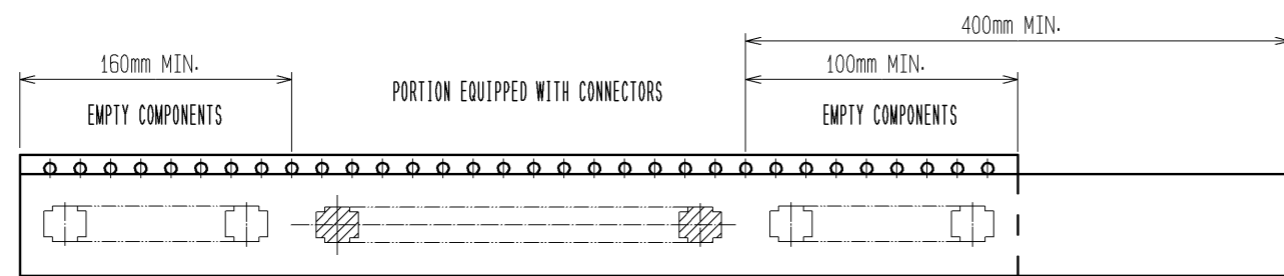
DIRECTION OF UNREELING →



9 DETAIL OF PART No. LABEL

製造年月日	** ** *
製品コード	CL684-4188-0-51
製品名	DF40HC(3.5)-20DS-0.4V(51)
数量	2000
納入者	ヒロセ電機(株)

10 REINFORCEMENT COLLAR TAPE AND REEL POCKET



TRAILER

7 TAPING

LEADER

- NOTES
- PER REEL 2000 CONNECTORS.
  - THE DIMENSIONS IN PARENTHESES ARE FOR REFERENCE.
  - REFER TO JIS C 0806(IEC 60286-3)(PACKING OF COMPONENTS FOR AUTOMATIC HANDLING)
  - THE POCKET SHAPE IS SPECIFIED AT INTERVALS OF FOUR POCKETS.
  - DETAIL OF PART NO. LABEL IS WRITTEN IN JAPANESE. PART NO. LABEL DESCRIBES THE FOLLOWING INFORMATION FROM TOP.  
 PRODUCTION DATE:  
 PRODUCT CODE: CL684-4188-0-51  
 PART NUMBER: DF40HC(3.5)-20DS-0.4V(51)  
 NUMBER OF PIECES: 2000 PIECES  
 SUPPLIER NAME: HIROSE ELECTRIC CO., LTD.
  - AFTER PACKAGING, ROLL 2 METERS OF THE REINFORCEMENT COLLAR TO OUTER CIRCUMFERENCE OF TAPE AND REEL POCKET, AND TAPE DOWN AT THE END THE COLLAR.

<b>HRS</b>	DRAWING NO.	EDC3-345683-01
	PART NO.	DF40HC(3.5)-20DS-0.4V(51)
	CODE NO.	CL684-4188-0-51
		△ 2/2