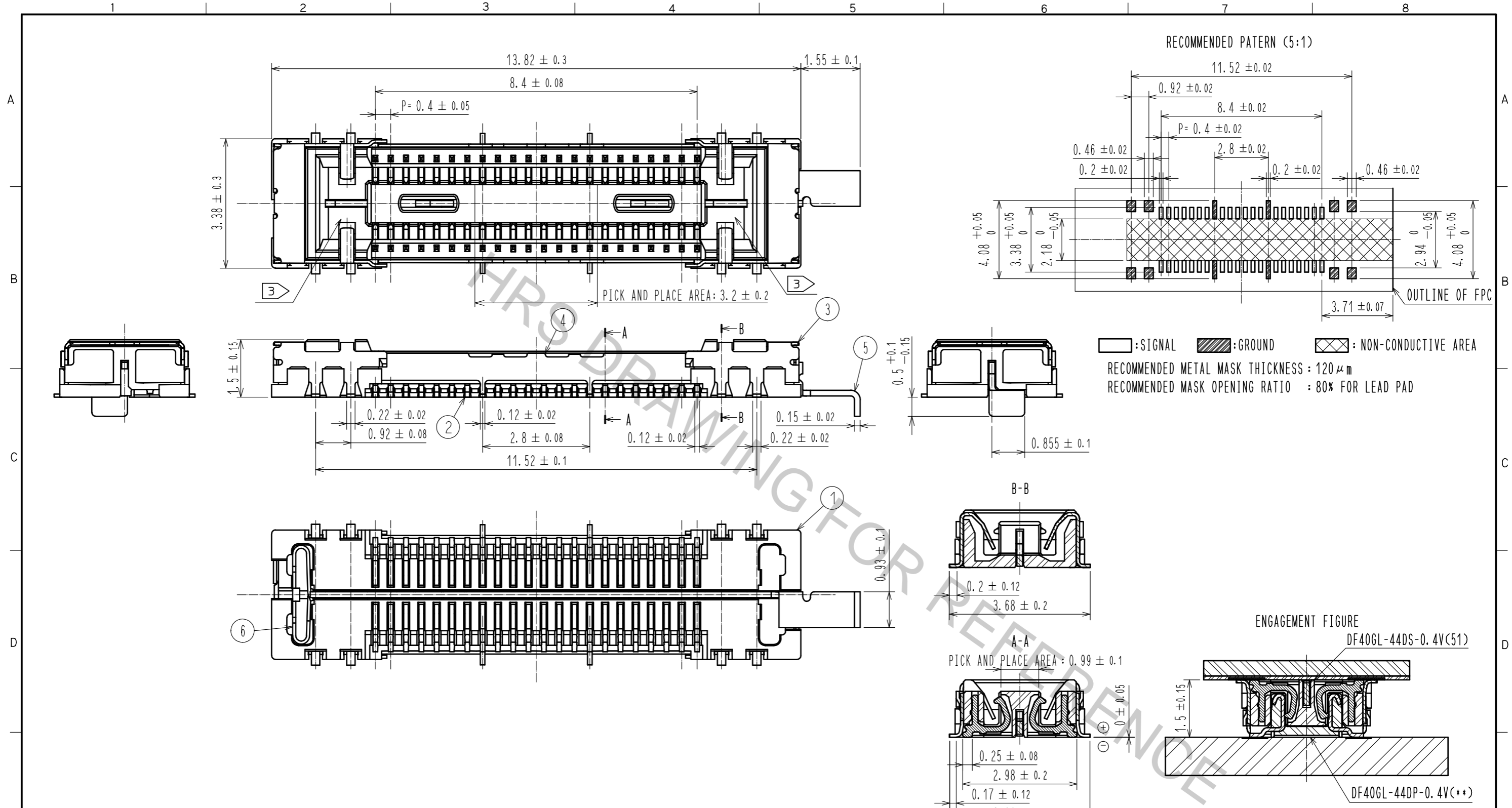
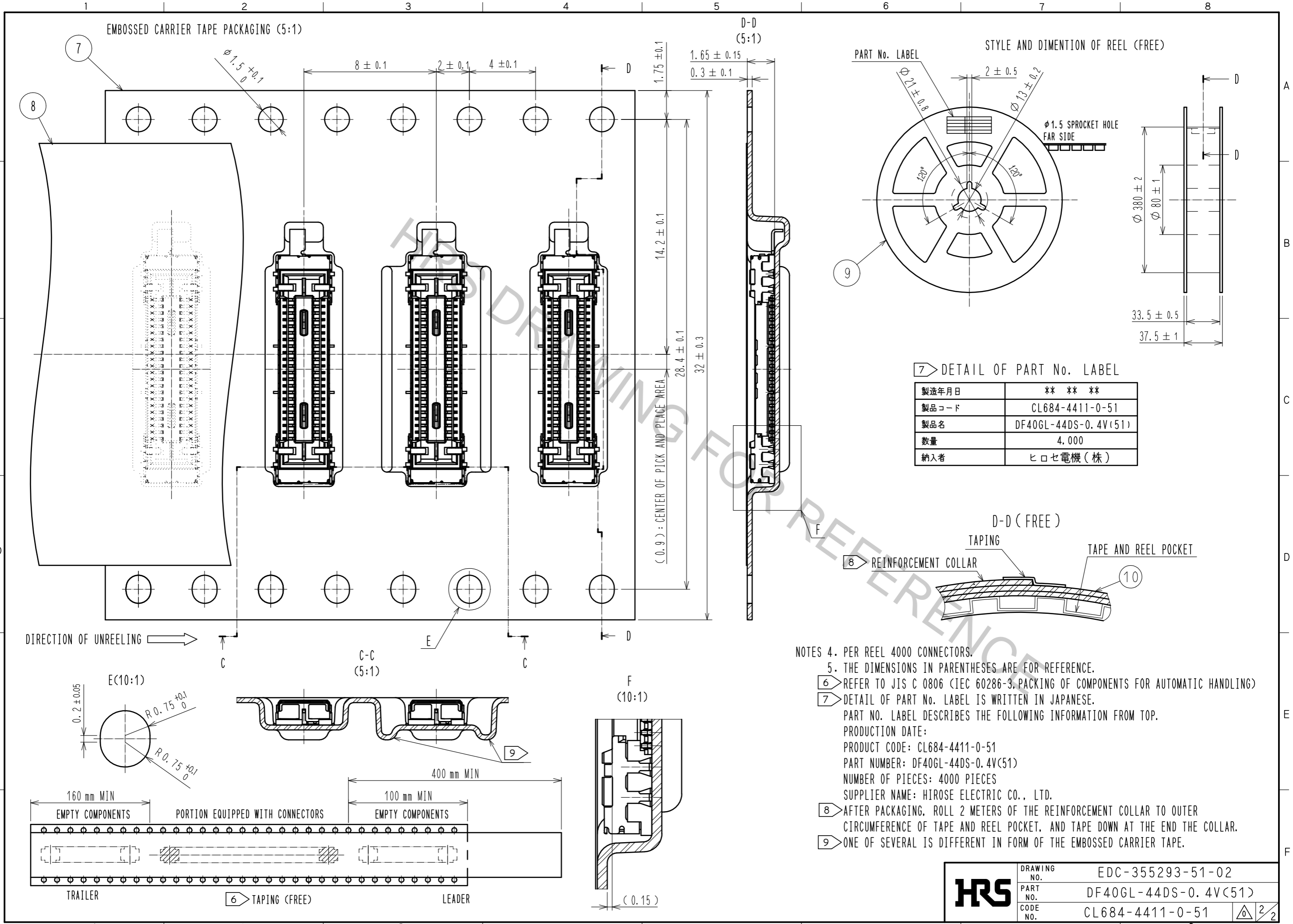


Apr.1.2017 Copyright 2017 HIROSE ELECTRIC CO., LTD. All Rights Reserved.



- NOTES
1. ALL LEAD CO-PLANARITY SHALL BE 0.1mm MAX.
  2. PLATING SPECIFICATIONS  
 CONTACT AREA : GOLD 0.05 μm MIN  
 SMT LEAD : GOLD 0.05 μm MIN  
 UNDER PLATING : NICKEL 1 μm MIN  
 (SURFACE : SEALING)
  3. HRS MARK AND CAV No. ARE INDICATED IN APPROX POSITION SHOWN.

5	STAINLESS STEEL		10	PS	CLEAR(REINFORCEMENT COLLAR)			
4	PHOSPHOR BRONZE	2	9	PS	BLACK(PLASTIC REEL)			
3	PHOSPHOR BRONZE	2	8	POLYESTER	CLEAR(COVER TAPE)			
2	PHOSPHOR BRONZE	2	7	PS	CLEAR(EMBOSSED CARRIER TAPE)			
1	LCP	BLACK, UL94 V-0	6	STAINLESS STEEL				
NO.	MATERIAL	FINISH . REMARKS	NO.	MATERIAL	FINISH . REMARKS			
UNITS	mm	SCALE	10 : 1	COUNT	DESCRIPTION OF REVISIONS	DESIGNED	CHECKED	DATE
<b>HRS</b> HIROSE ELECTRIC CO., LTD.		APPROVED : MO. ISHIDA	15.02.06	DRAWING NO.	EDC-355293-51-02			
		CHECKED : WR. FUKUCHI	15.02.06	PART NO.	DF40GL-44DS-0.4V(51)			
		DESIGNED : SJ. WADA	15.02.06	CODE NO.	CL684-4411-0-51			
		DRAWN : SJ. WADA	15.02.06					



EMBOSSD CARRIER TAPE PACKAGING (5:1)

STYLE AND DIMENTION OF REEL (FREE)

7) DETAIL OF PART No. LABEL

製造年月日	** ** *
製品コード	CL684-4411-0-51
製品名	DF40GL-44DS-0.4V(51)
数量	4,000
納入者	ヒロセ電機(株)

- NOTES
- PER REEL 4000 CONNECTORS.
  - THE DIMENSIONS IN PARENTHESES ARE FOR REFERENCE.
  - REFER TO JIS C 0806 (IEC 60286-3, PACKING OF COMPONENTS FOR AUTOMATIC HANDLING)
  - DETAIL OF PART No. LABEL IS WRITTEN IN JAPANESE. PART NO. LABEL DESCRIBES THE FOLLOWING INFORMATION FROM TOP.  
 PRODUCTION DATE:  
 PRODUCT CODE: CL684-4411-0-51  
 PART NUMBER: DF40GL-44DS-0.4V(51)  
 NUMBER OF PIECES: 4000 PIECES  
 SUPPLIER NAME: HIROSE ELECTRIC CO., LTD.
  - AFTER PACKAGING, ROLL 2 METERS OF THE REINFORCEMENT COLLAR TO OUTER CIRCUMFERENCE OF TAPE AND REEL POCKET, AND TAPE DOWN AT THE END THE COLLAR.
  - ONE OF SEVERAL IS DIFFERENT IN FORM OF THE EMBOSSD CARRIER TAPE.

<b>HRS</b>	DRAWING NO.	EDC-355293-51-02
	PART NO.	DF40GL-44DS-0.4V(51)
	CODE NO.	CL684-4411-0-51
		2/2