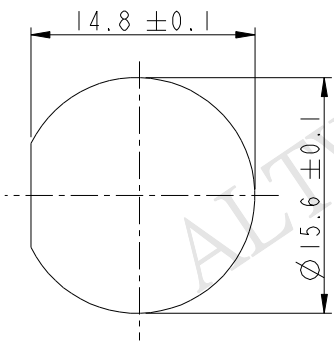


REV.	ECN NO.	DATE	SIGN	DESCRIPTION



Recommended Panel Cut-Out

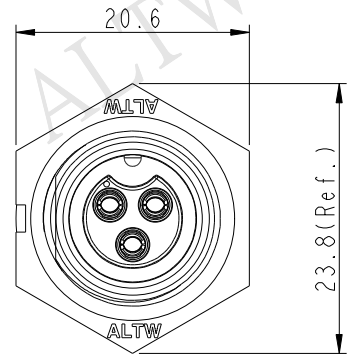
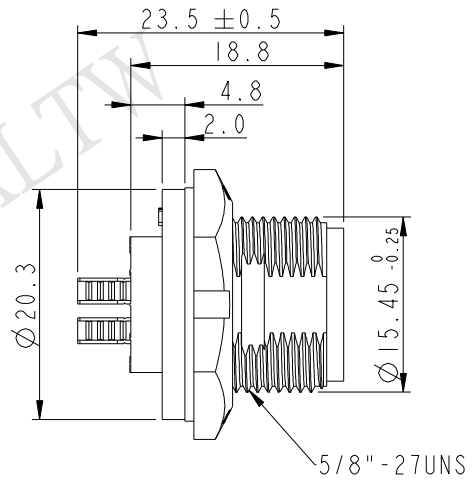
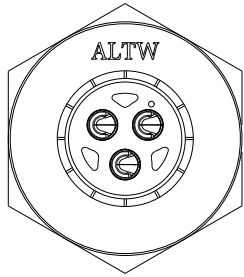
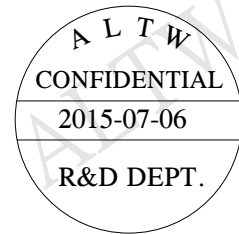
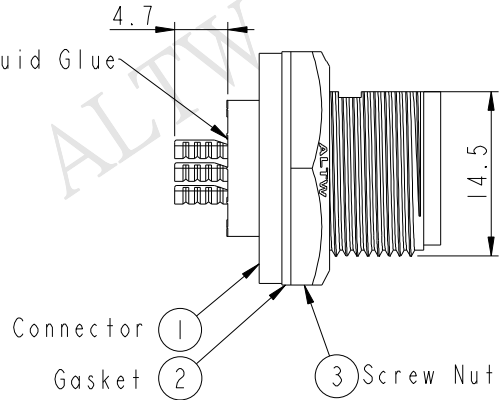
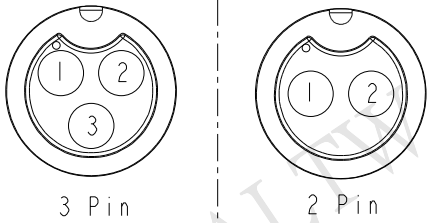


ABB-XXPMFS-SC7001  
 02: 2Pin  
 03: 3Pin

With Liquid Glue



- Note:
- \* (QC) Important Dimension To Check.
  - \* Waterproof Rate: IP67
  - \* Housing: Nylon+GF, Black
  - \* Female Pin: Copper Alloy, Gold Plated
  - \* Gasket: Silicone, Gray
  - \* Screw Nut: Nylon+GF, Black
  - \* Use with waterproof cap or dust cap  
Maximum Panel Thickness: 3.3mm
  - \* Use without waterproof cap or dust cap  
Maximum Panel Thickness: 4.5mm



Pin Assignments Front View

UNIT: mm		
TOLERANCE	±0.25	±0.1
.X	±0.1	±0.05
.XX	±0.05	±1°
.XXX	±1°	
ANGLES		

TITLE STANDARD PANEL SCREW M CONN F PIN			
SCALE 2:1	SIZE A4	SHEET 1 OF 1	
REV. A	WC-REV. A.1	(QC): Inspection item	

**Amphenol LTW**  
 安費諾亮泰企業股份有限公司

ITEM NO	DRAWN BY Jinhai	DATE 2015-07-06
DWG NO ABB-XXPMFS-SC7001	CHECKED BY Rensong	DATE 2015-07-06
CUSTOMER ALTW	APPROVED BY Jerry	DATE 2015-07-06

THIS DOCUMENT IS SUBJECT TO CHANGE WITHOUT NOTICE. IT IS CONFIDENTIAL AND A PROPERTY OF Amphenol LTW. DISCLOSURE TO THIRD PARTY HAS TO BE AUTHORIZED BY Amphenol LTW.