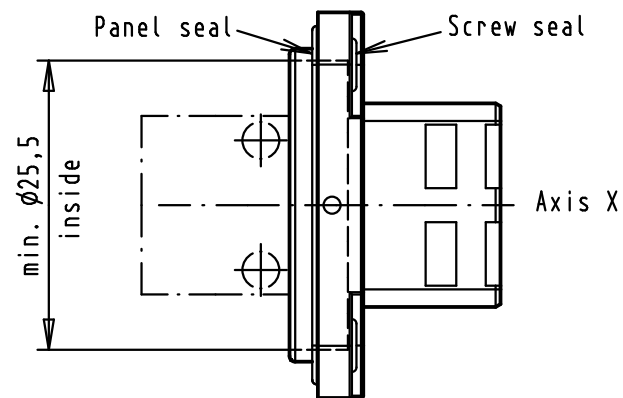
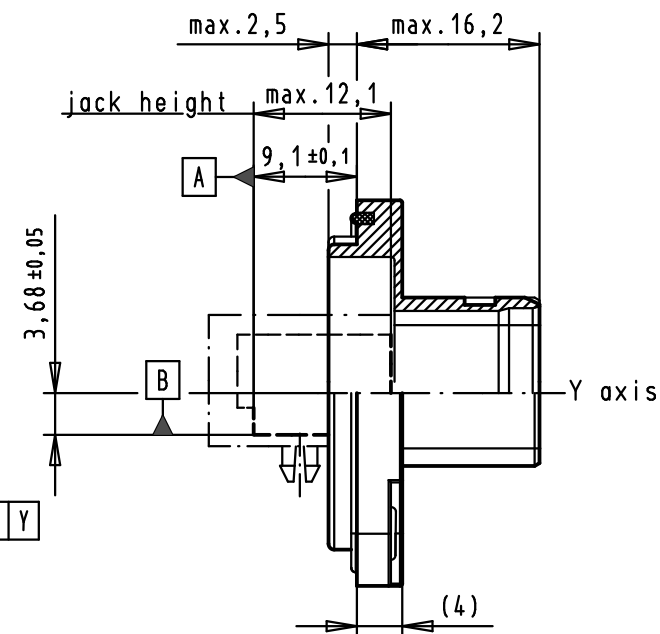
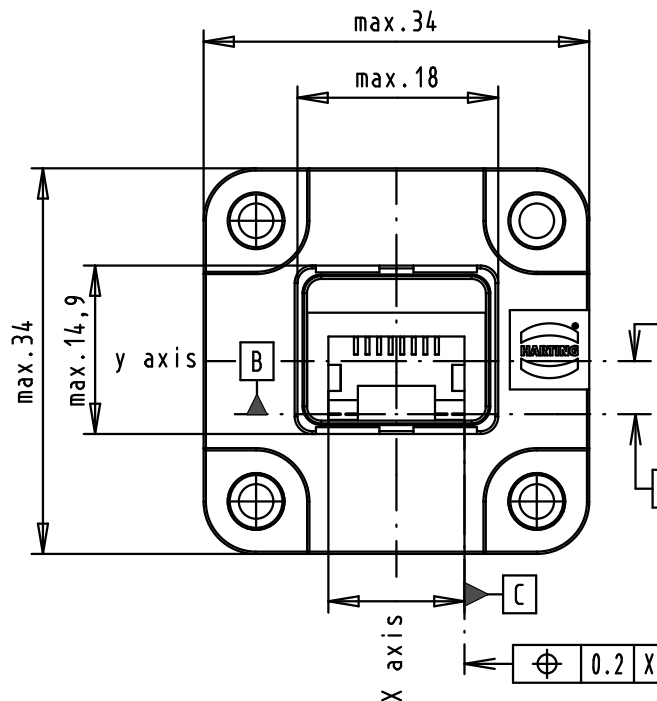
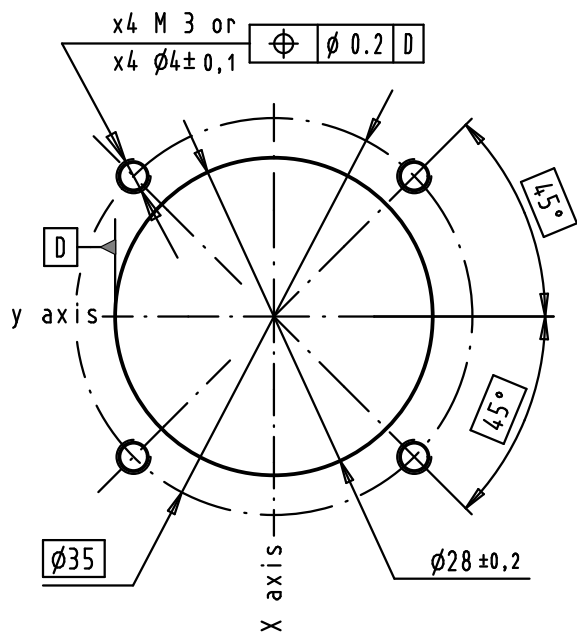
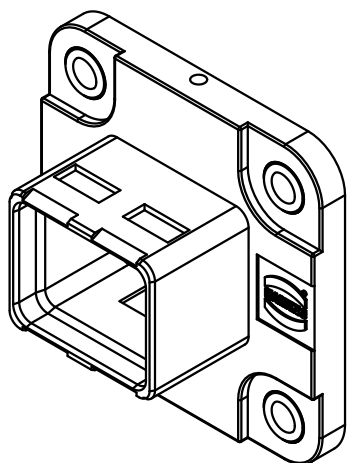




Panel cutting

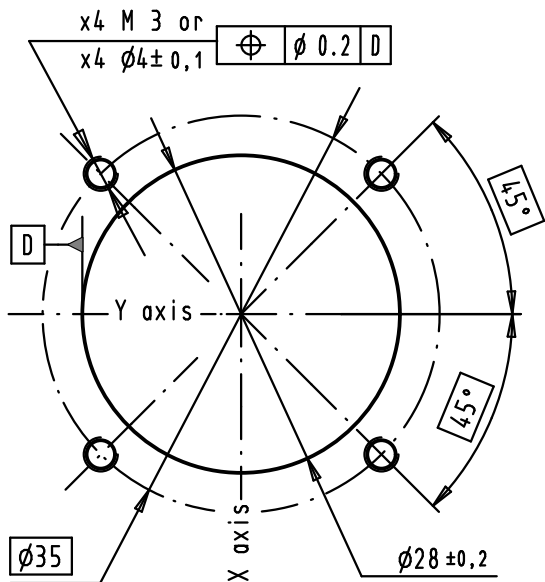


Connector pitches on panel = 35 mm
 Receptacle mating face according to IEC 61076-3-106 - variant 04
 A, B, C jack references according to IEC 60603-7

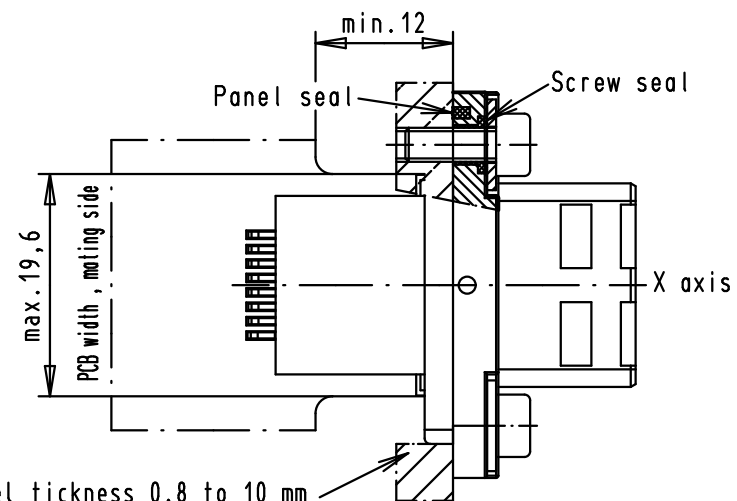
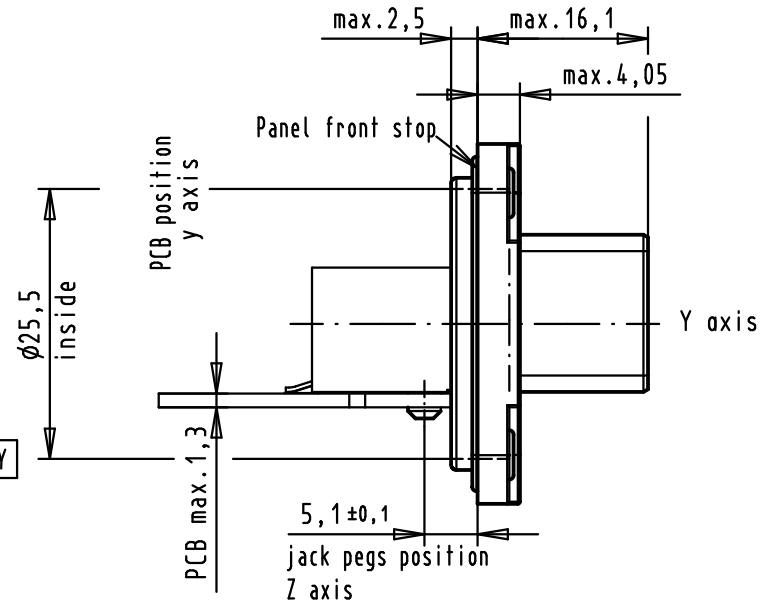
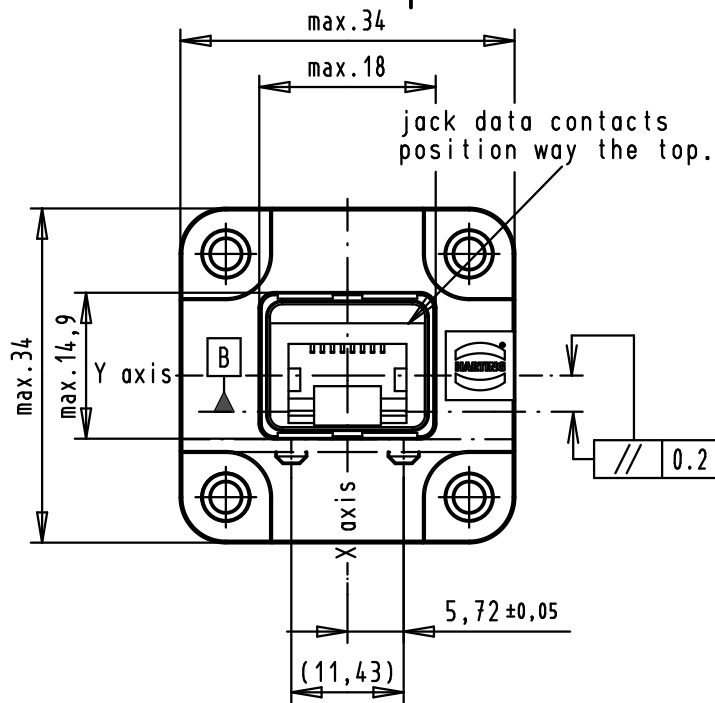
Screwing by x4 M3 screws with torque 0,5 N.m with flat washer under the screw



Mod.	Dot.	Name	Dot.	Name	 All Dim. in mm Orig. Size DIN A 3	Push-pull RJ Industrial Easy install IP 67 receptacle for other jacks	Maßstab/ Scale
33812	23/oct/06	JFB	Detail.	19/dec/05			JFB
33468	27/April/06	JFB	Insp.				
33447	24/march/06	JFB	Stand.				
33405	20/dec/05	BD	HARTING EURL F-95972 Paris			TB 09 45 545 0030	Blatt/ Page 1
33289	19/dec/05	BD					
						Sub.	



Panel cutting

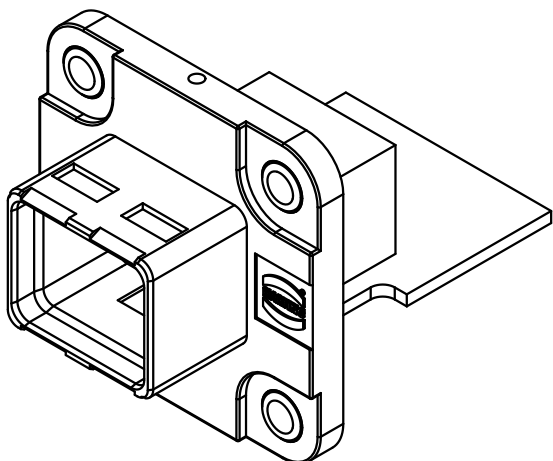




Connector pitches on panel = 35 mm
Receptacle mating face according to IEC 61076-3-106 - variant 04

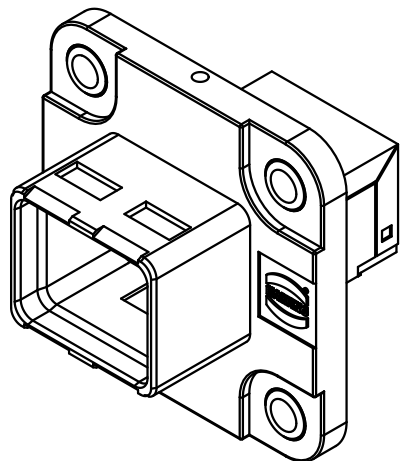
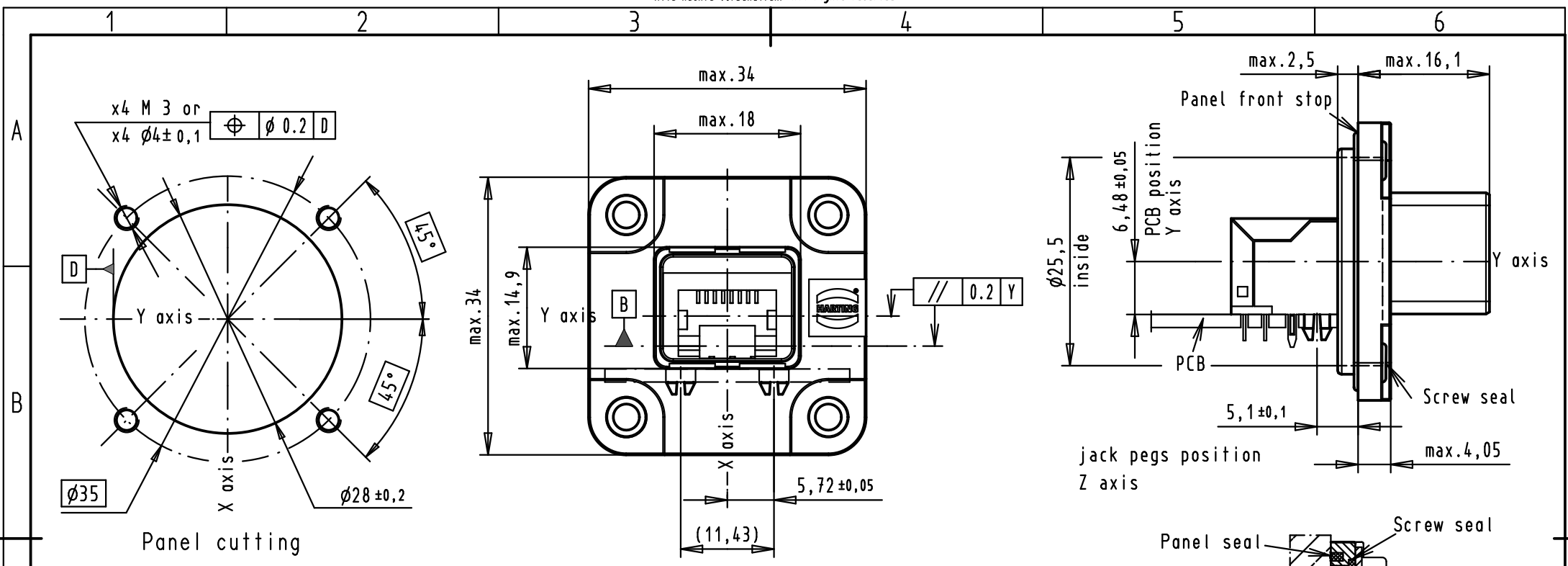
Jack B reference according to IEC 60603-7

Position dimensions for Harting SMD jack P/N 09 45 551 1100
PCB layout see TB 09 45 551 1100

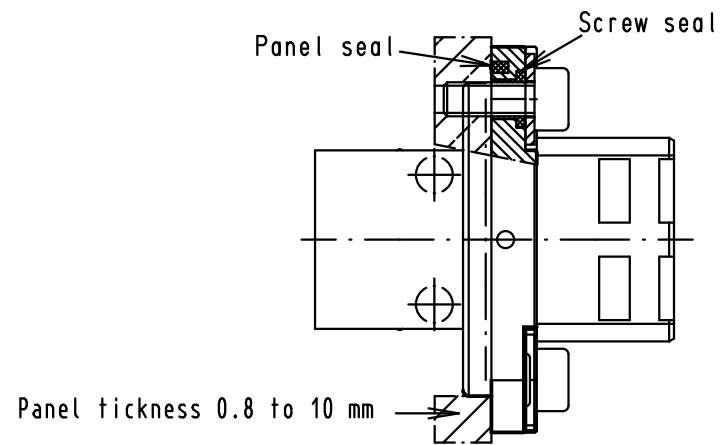
Screwing by x4 M3 screws with torque 0,5 N.m with flat washer under the screw



			Dot.	Name	 All Dim. in mm Orig. Size DIN A 4	Push-Pull RJ industrial Easy install IP 67 receptacle With position dimensions of Harting SMD jack P/N 09 45 551 1100	Maßstab/ Scale	
			Detail.	10/05/06			JFB	1,5/1
			Insp.					
			Stand.					
33812	23/oct/06	JFB	HARTING EURL F-95972 Paris			 TB 09 45 545 0030	Blatt/ Page 2	
33468	10/may/06	JFB						
Mod.	Dot.	Name				Sub.		



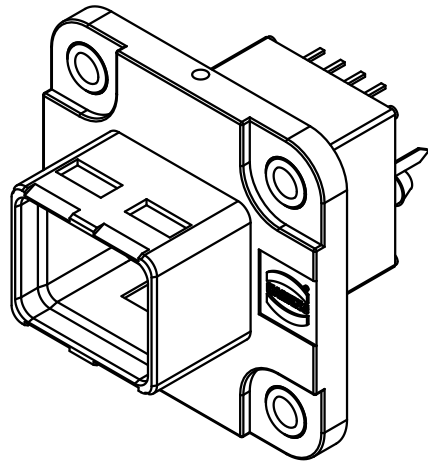
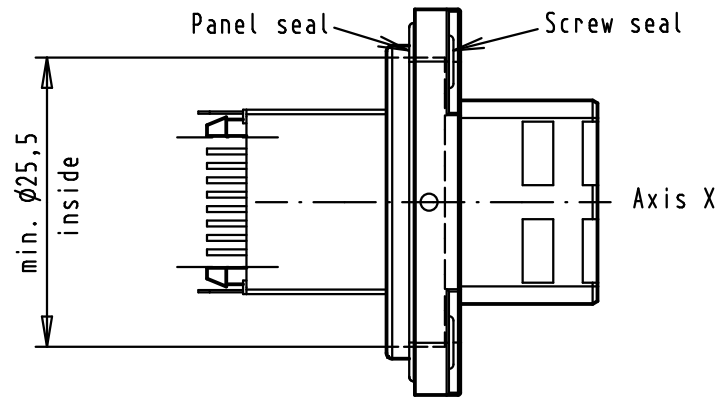
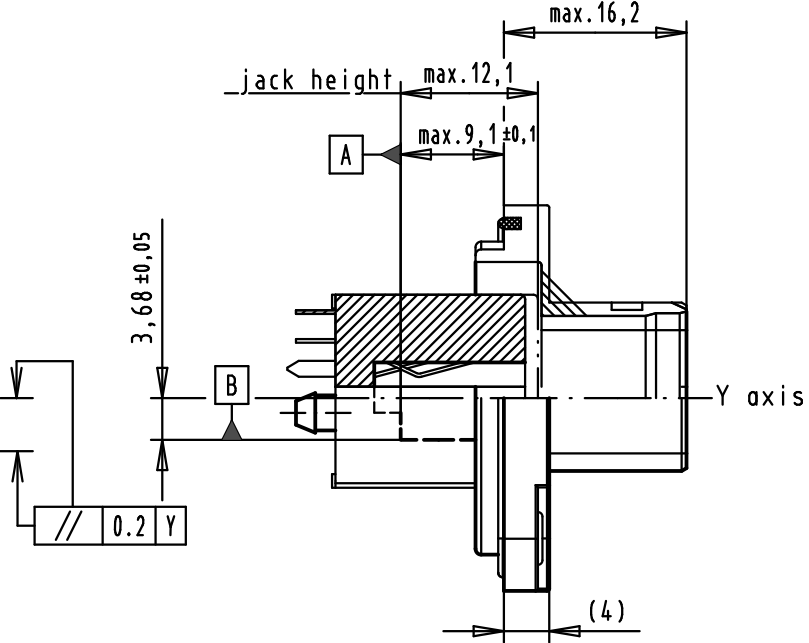
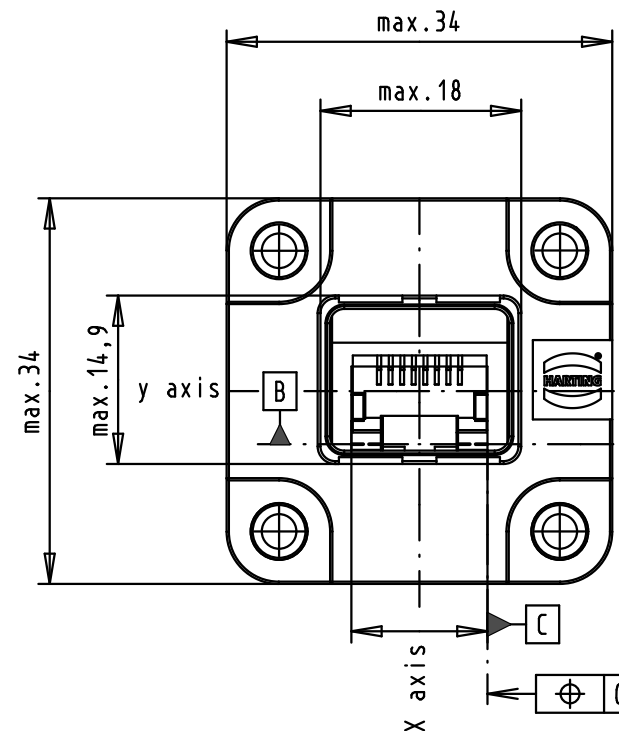
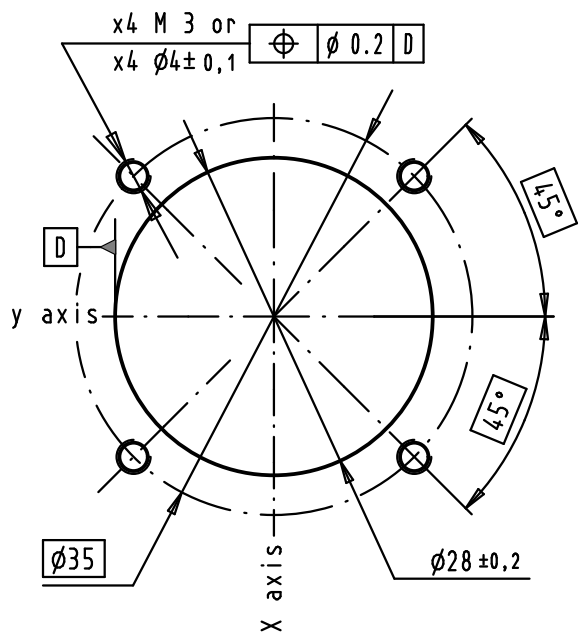
Connector pitches on panel = 35 mm
 Receptacle mating face according to IEC 61076-3-106 - variant 04
 Jack B Ref according to IEC 60603-7
 Position dimensions for Harting right angle jack.
 PCB layout see TB 0945 551 1102.
 Screwing by x4 M3 screws with torque 0,5 N.m with flat washer under the screw



			Dot.	Name	<p>All Dim. in mm Orig. Size DIN A 4</p>	Push-Pull RJ industrial Easy install IP 67 receptacle With position dimensions of Harting right angle jack P/N 09 45 551 1102	Maßstab/ Scale 1,5/1
		Detail.	21/04/06	JFB			
		Insp.					
		Stand.					
33812	23/oct/06	JFB	HARTING EURL F-95972 Paris			TB 09 45 545 0030	Blatt/ Page 3
33468	27/apr/06	JFB					
Mod.	Dot.	Name					
						Sub.	





Panel cutting



Connector pitches on panel = 35 mm
 Receptacle mating face according to IEC 61076-3-106 - variant 04
 A, B, C jack references according to IEC 60603-7

Screwing by x4 M3 screws with torque 0,5 N.m with flat washer under the screw

				Dot.	Name	 All Dim. in mm Orig. Size DIN A 3	Push-pull RJ Industrial Easy install IP 67 receptacle for vertical modular jack.	Maßstab/ Scale 1,5:1
			Detail.	29/No/07	JFB			
			Insp.					
			Stand.					
34780	29/No/07	JFB	HARTING EURL F-95972 Paris				TB 09 45 545 0030	Blatt/ Page 4
Mod.	Dot.	Name						