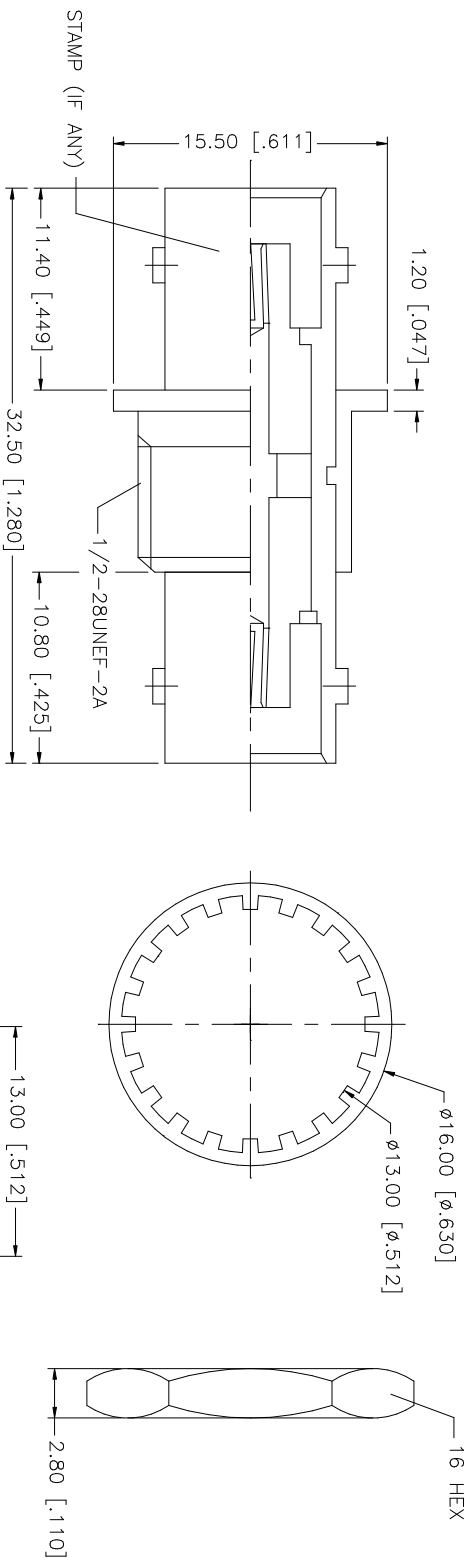


REV.	DATE	DESCRIPTION
NC	01/14/03	INITIAL RELEASE



NOTE:  
1. MAX. PANEL THICKNESS = 5.5mm

QTY	FINISH	MATERIAL	DESCRIPTION
1	NICKEL	BRASS	HEX NUT
1	NICKEL	BRASS	LOCK WASHER
1	NICKEL	BRASS	LOCK RING
1	GOLD	PHOS. BRONZE	CONTACT PIN
1	NATURAL	DELIN	INSULATOR
1	WHITE	DELIN	INSULATOR
1	NICKEL	BRASS	BODY

UNLESS OTHERWISE SPECIFIED, DIMENSIONS ARE IN INCHES AND FOR CUSTOMER REFERENCE ONLY.	UNLESS OTHERWISE SPECIFIED, DIMENSIONS ARE IN MILLIMETERS ONLY.
TOLERANCES FOR MILLIMETERS ARE:	TOLERANCES FOR INCHES ARE:
0.5 - 8mm ± 0.20mm	.020 - .315 = ± 0.007"
8 - 30mm ± 0.40mm	.315 - 1.180 = ± 0.015"
30 - 120mm ± 0.50mm	1.180 - 4.724 = ± 0.020"

APPROVALS	DATE	DWG. NO.	REV.	SIZE	SCALE
DRAWN G.R.S.	01/14/03	112444.DWG	NC	A	NA
CHECKED					
ISSUED					
PART DESCRIPTION		PART NO.			
BNC FEMALE TO FEMALE BULKHEAD ISOLATED ADAPTER		112444			
SHEET 1 OF 1		CAD FILE C:/112/112444.DWG			

**Amphenol Connex**

BNC FEMALE TO FEMALE BULKHEAD ISOLATED ADAPTER

112444