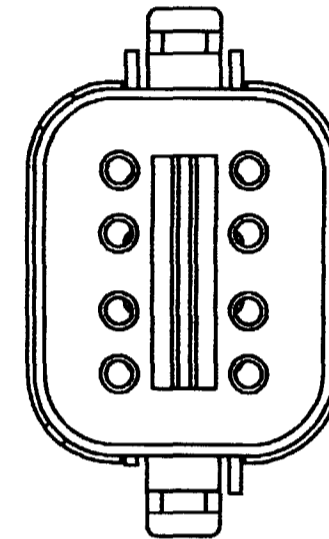
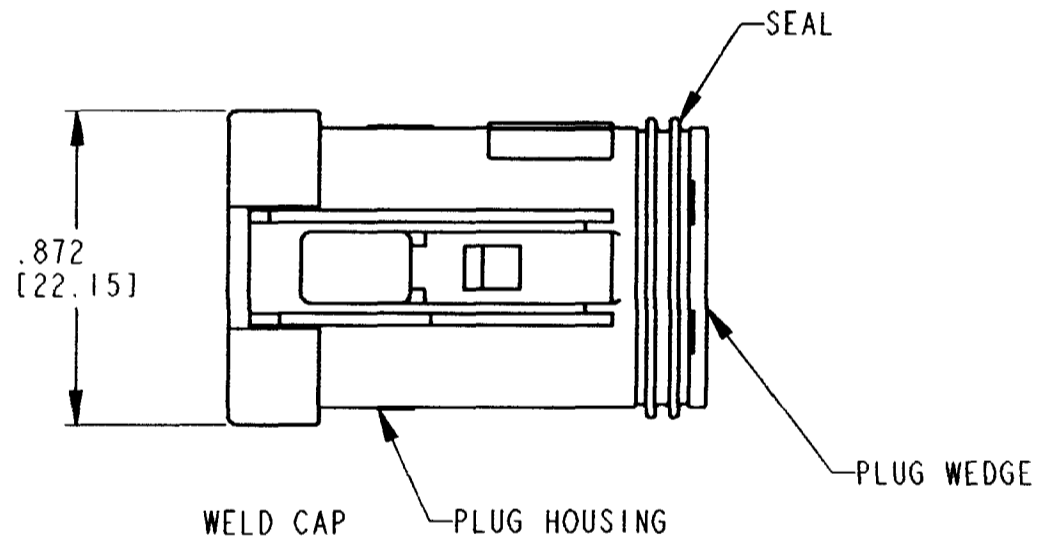
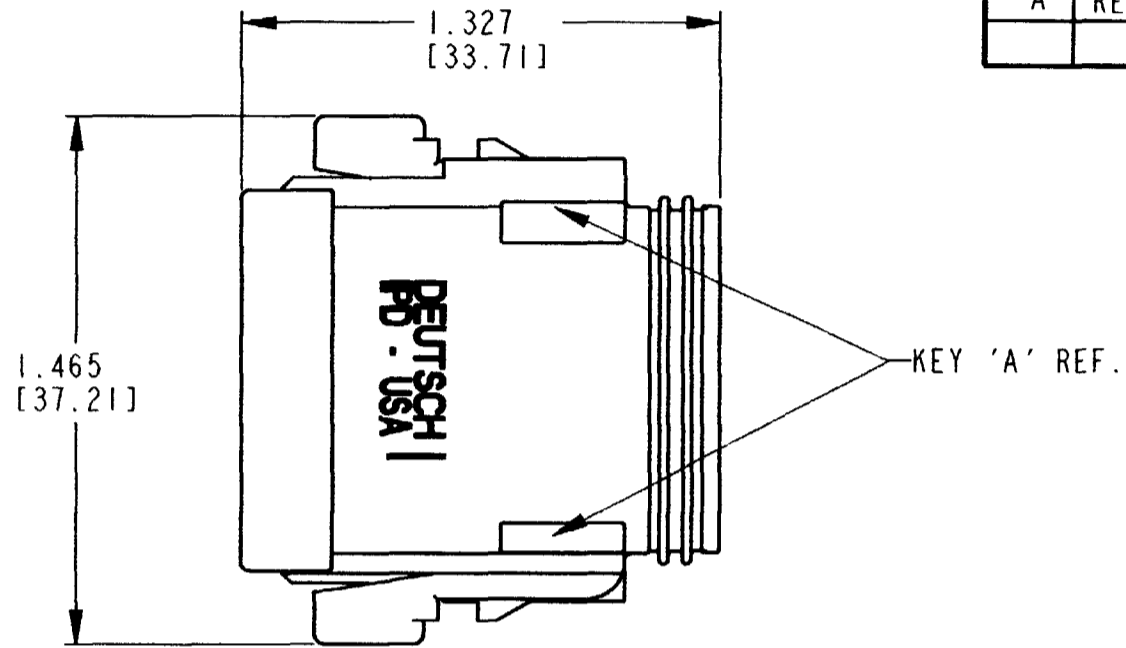
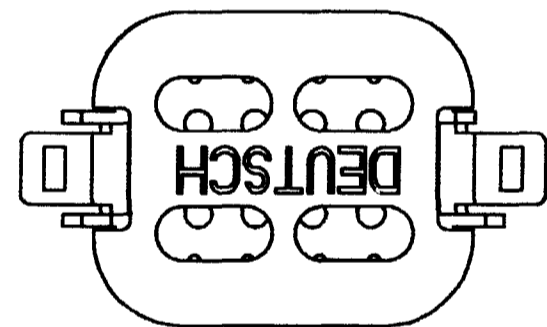


3-DIMENSIONAL VIEW



REV  
A DT06-08S\*-C017

REVISIONS			
SYM	DESCRIPTION	DATE	APPROVED
NC	REDRAWN / REPLACES PREVIOUS		
	RELEASE PER E.O. P18993	9/8/05	R.D.R.
A	REVISED PER E.O. P19376	10-23-06	ADK

3. THIS PLUG MATES WITH DT04-08PA-\*\*\*\* RECEPTACLE (\*\*\*\* = ALL MODIFICATIONS). CONSULT FACTORY FOR MODIFICATIONS.

2. DIMENSIONS ARE ±.025[0.63] UNLESS OTHERWISE SPECIFIED.

1. DIMENSIONS ARE IN INCHES [MILLIMETERS].

NOTES:

SIGNATURE & DATE	
DR	A. MALAGON 7/29/05
CHK	<i>[Signature]</i> 10/20/06
PE	<i>[Signature]</i> 10/19/06
APPD	<i>[Signature]</i> 10-20-06
SCALE	NONE WT _____

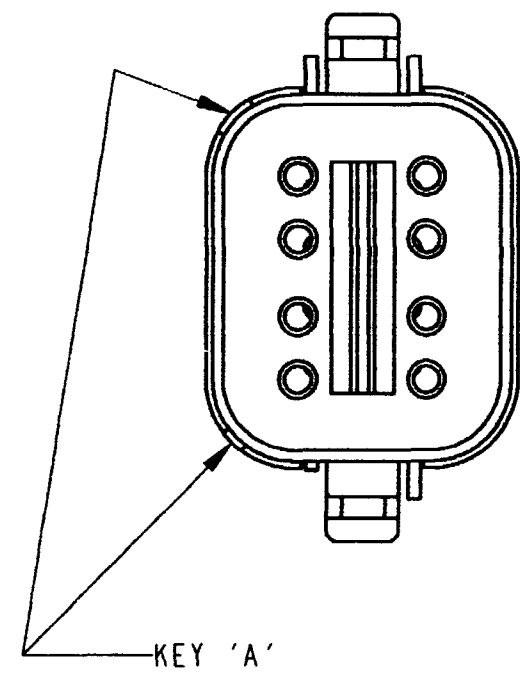
8 WAY PLUG  
W/ BLOCKED GROMMET  
A, B, C, D KEY ARR.  
DT SERIES

ENVELOPE

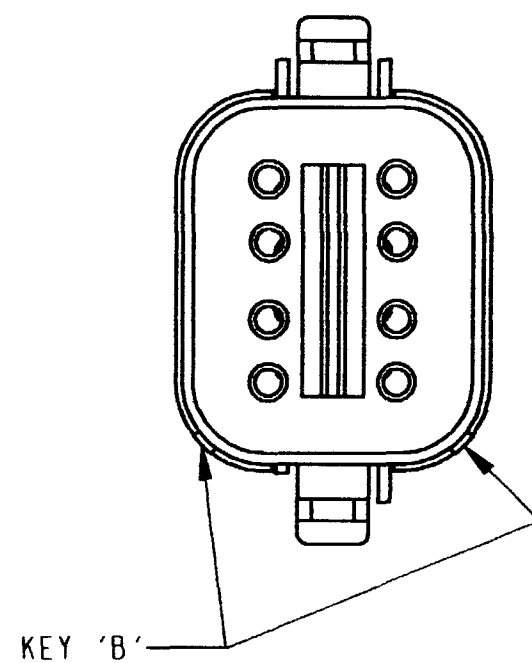
EP	MATL. CODE
<b>The Deutsch Company</b> DEUTSCH I.P.D. 3850 INDUSTRIAL AVE. HEMET, CALIF. 92545	
<b>B</b>	<b>DT06-08S*-C017</b>
DWG SIZE	CODE 11139 SHEET 1 OF 2

REV A	DT06-08S*-C017	REVISIONS			
		SYM	DESCRIPTION	DATE	APPROVED
		NC	REDRAWN / REPLACES PREVIOUS		
			RELEASE PER E.O. P18993	9/8/05	R.D.R.
	A	REVISED PER E.O. P19376	10-23-06	ADR	

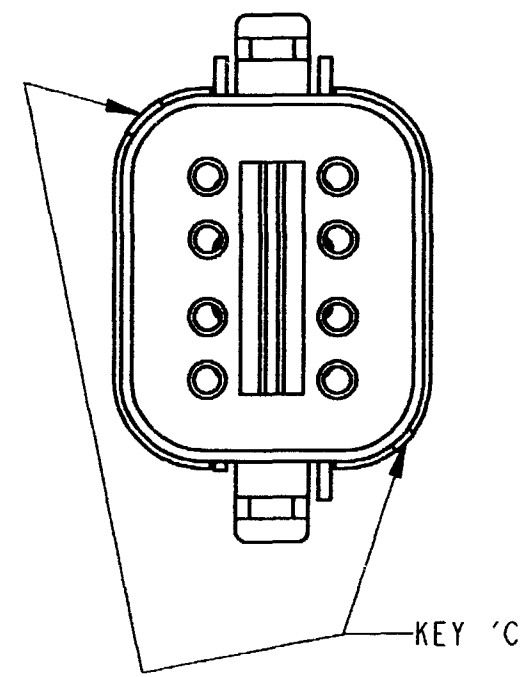
KEY ARRANGMENT -A-  
DT06-08SA-C017  
COLOR: GRAY



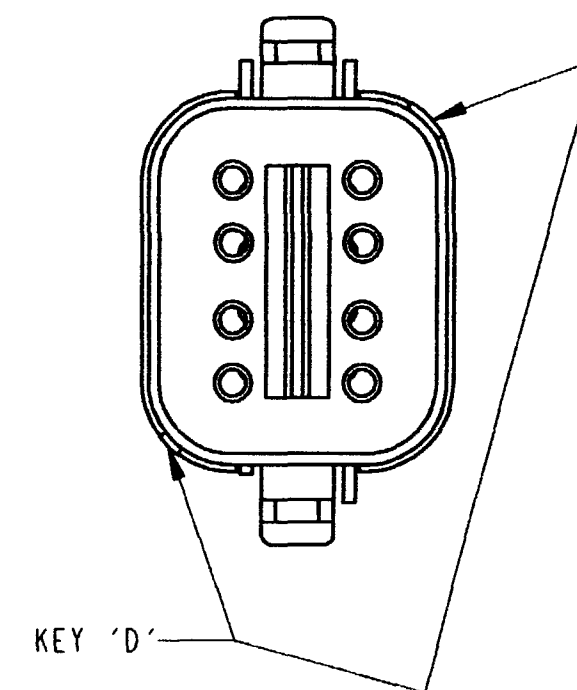
KEY ARRANGMENT -B-  
DT06-08SB-C017  
COLOR: BLACK



KEY ARRANGMENT -C-  
DT06-08SC-C017  
COLOR: GREEN



KEY ARRANGMENT -D-  
DT06-08SD-C017  
COLOR: BROWN



NOTES:

SIGNATURE & DATE		8 WAY PLUG W/ BLOCKED GROMMET A, B, C, D KEY ARR. DT SERIES	EP	MATL. CODE	
DR	A. MALAGON 7/29/05		The Deutch Company DEUTSCH I.P.D. 3850 INDUSTRIAL AVE. HEMET, CALIF. 92545		
CHK	<i>[Signature]</i> 10/20/06		B	DT06-08S*-C017	
PE	<i>[Signature]</i> 10/18/06			DWG SIZE	CODE 11139
APPD	<i>[Signature]</i> 10-20-06	ENVELOPE			
SCALE	NONE	WT			