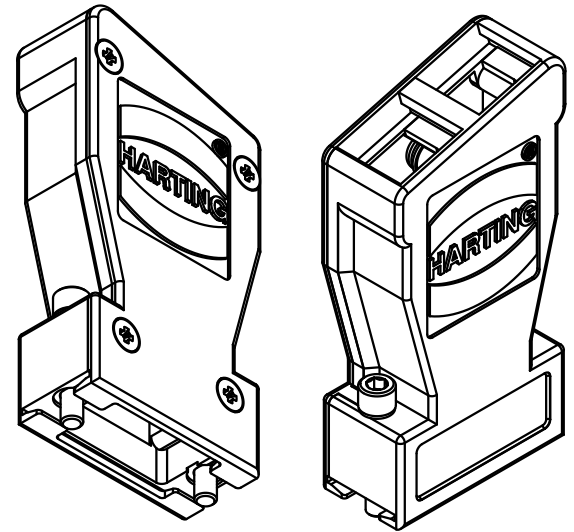
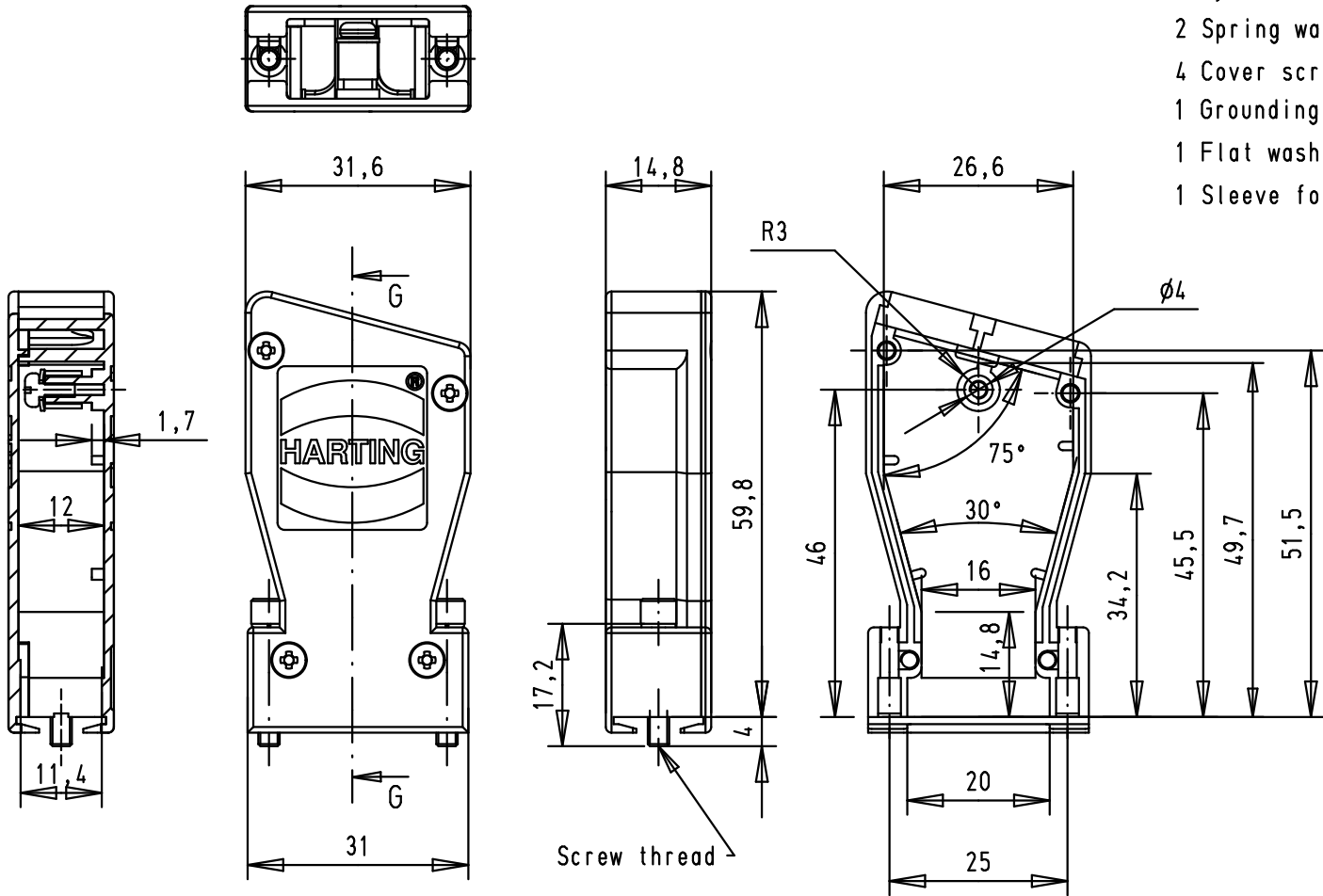
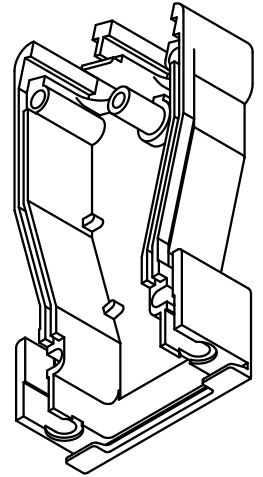


Use only ball-shaped 2.5 mm hexagon screwdriver  
Harting p/n 61 03 600 0021

Hood assembly consists of:

- 1 Housing with cover
- 2 Cylinder socket head cap screws
- 2 Spring washers 2.6 DIN 127 B
- 4 Cover screws M2.5x10
- 1 Grounding screw M2.5x4
- 1 Flat washer for securing the PCB
- 1 Sleeve for securing the PCB



				Dat.	Name	 All Dim. in mm Orig. Size DIN A 4	Inducom 9, 9 poles hood, die-cast	Maßstab/ Scale  1:1	
				Detail.	12-07-10				SC
				Insp.	06-05-11				JB
				Stand.					
66 67 009 0347	M3	EC03188	06/05/11	BH	HARTING EURL F-95972 Paris			TB 66 67 009 034X	Blatt/ Page 1 / 1
66 67 009 0346	4-40 UNC	36180	11-10-10	SC					
Part number	Screw thread	Mod.	Dat.	Name					



Sub.