

1. 製品名称 / PRODUCT NAME : 1.0 FPC ZIF BTM CONT EMBOSSED TAPE PACKAGING

製品番号 / MATERIAL No. : 2005290\*\*0

(\*\*は極数を示す)

(\*\* IS CIRCUITS SIZE)

2. 標準梱包数 / STANDARD PACKAGING QUANTITY

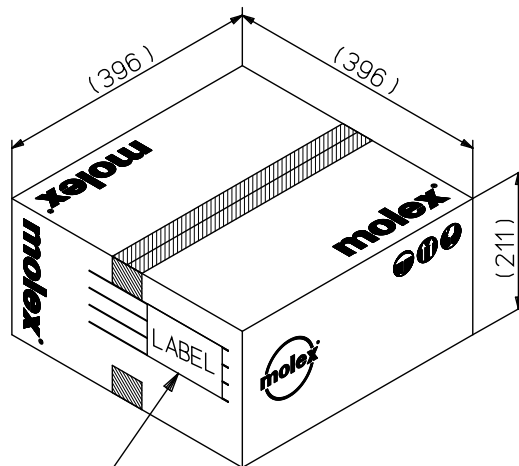
極数 CKT. SIZE	キャリア テープ幅 (mm) CARRIER TAPE WIDTH (mm)	1 リール中の製品数 QTY. PER REEL	外装カートン SHIPPING CARTON	
			梱包リール数 NUMBER OF REELS	製品数 QUANTITY
4	24	3,000	6	18,000
5				
6				
7				
8				
9				
17	44	3,000	3	9,000
22				

REV.	B				
SHEET	1~2				
REVISE ON PC ONLY		TITLE:			
<b>B</b>	REVISED 103011 2016/02/19 T.NAKAGAWA	200529 梱包仕様書 SALES PACKAGING SPEC. FOR 200529			
	THIS DOCUMENT CONTAINS INFORMATION THAT IS PROPRIETARY TO MOLEX ELECTRONIC TECHNOLOGIES, LLC AND SHOULD NOT BE USED WITHOUT WRITTEN PERMISSION				
REV.	DESCRIPTION				
DESIGN CONTROL J	STATUS	WRITTEN BY: YTOKUZONO	CHECKED BY: T.HARUYAMA	APPROVED BY: H.HIRATA	DATE: 2015/12/24

DOCUMENT NUMBER 2005299200	DOC. TYPE PS	DOC. PART 200	CUSTOMER GENERAL	SHEET 1 OF 2
-------------------------------	-----------------	------------------	---------------------	-----------------

3. カートン外形参考寸法 / CARTON OUTER DIMENSIONS (REFERENCE PURPOSE ONLY)

単位 / UNIT: mm



カートンラベル  
CARTON LABEL

(製品型番, 数量, ロットNO. 表示)  
INDICATION OF PART No., QUANTITY, LOT No.

標準カートン  
STANDARD CARTON

REVISE ON PC ONLY		TITLE:		
<b>B</b>	SEE SHEET 1 OF 2	200529 梱包仕様書 SALES PACKAGING SPEC. FOR 200529		
REV.	DESCRIPTION	THIS DOCUMENT CONTAINS INFORMATION THAT IS PROPRIETARY TO MOLEX ELECTRONIC TECHNOLOGIES, LLC AND SHOULD NOT BE USED WITHOUT WRITTEN PERMISSION		
DOCUMENT NUMBER 2005299200		DOC. TYPE PS	DOC. PART 200	CUSTOMER GENERAL
				SHEET 2 OF 2