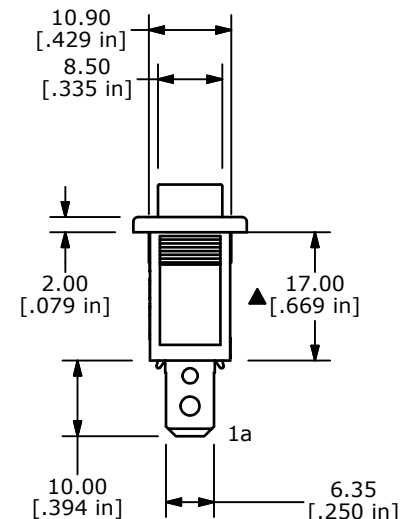
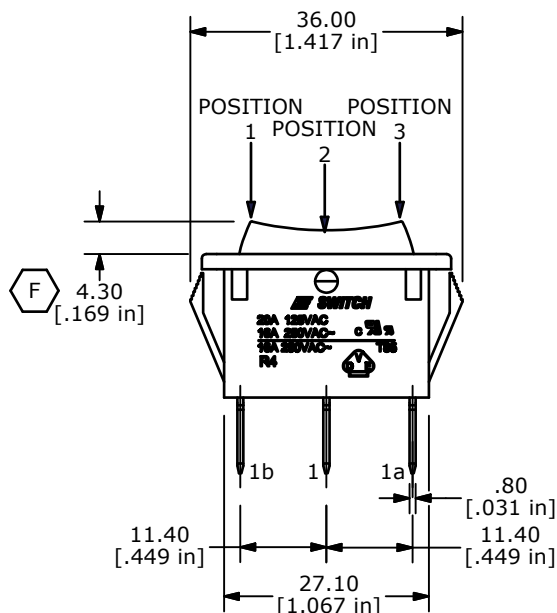
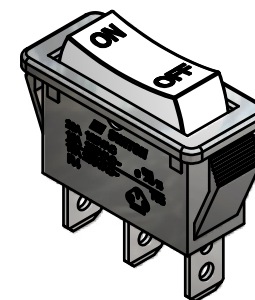
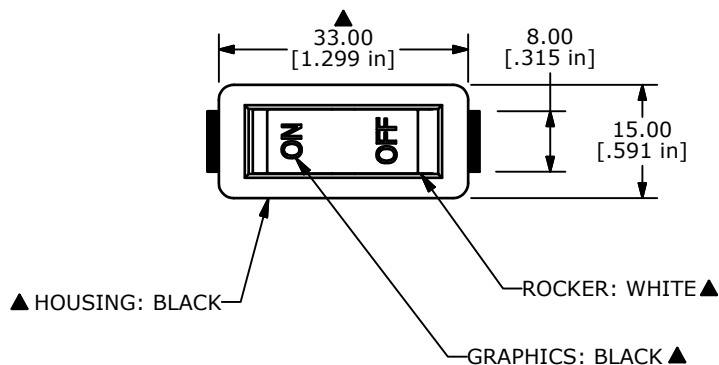
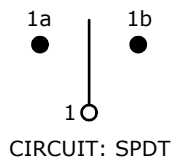


RECOMMENDED PANEL MOUNTING

| PANEL THICKNESS | X± 0.05 |
|-----------------|---------|
| 0.75-1.25 | 29.65 |
| 1.25-2.00 | 30.15 |
| 2.00-3.00 | 30.50 |

| SWITCH FUNCTION | | |
|-----------------|--------|--------|
| POS. 1 | POS. 2 | POS. 3 |
| | | |
| (ON) | OFF | (ON) |
| 1-1a | OPEN | 1-1b |



NOTES:

- ALL DIMENSIONS IN MM [INCH]
- GENERAL TOLERANCE: X.X=± 0.4
X.XX=± 0.25
- TERM. NOS. FOR REF. ONLY
- RATING: 10A 250VAC, 15A 125VAC UL APPROVED
10A 250VAC VDE APPROVED
- ELECTRICAL LIFE: OVER 10,000 CYCLES
- MECHANICAL LIFE: OVER 30,000 CYCLES
- CONTACT RESISTANCE: <20 mΩ(INITIAL)
- DIELECTRIC STRENGTH: >1500V 1 min
- INSULATION RESISTANCE: >1,000 mΩ @ 500V DC
- OPERATING TEMPERATURE: TERMINAL SIDE -20°C to 85°C
ROCKER SIDE -20°C to 55°C
- ▲ DENOTES CRITICAL PARAMETER
- 2002/95/EC (ROHS) COMPLIANT

| | | | | |
|-----|--------|-----------------------------------|----------|-----|
| G | 20101 | CORRECT RATING | 08/17/11 | BMA |
| F | 19941 | CORRECT ACTUATOR HEIGHT DIMENSION | 05/11/11 | BMA |
| E | 19871 | UPDATE DRAWING | 04/26/11 | BMA |
| REV | PCR NO | DESCRIPTION | DATE | BY |

THE INFORMATION CONTAINED IN THIS DOCUMENT IS PROPRIETARY TO E-SWITCH AND IS NOT TO BE COPIED OR TRANSFERRED



TITLE R4GBLKWHTIF0

| | | | | |
|-------|-----------|----|---------|-----|
| SCALE | DATE | DR | DWG | REV |
| 1:1 | 6/24/2005 | JB | M040142 | G |