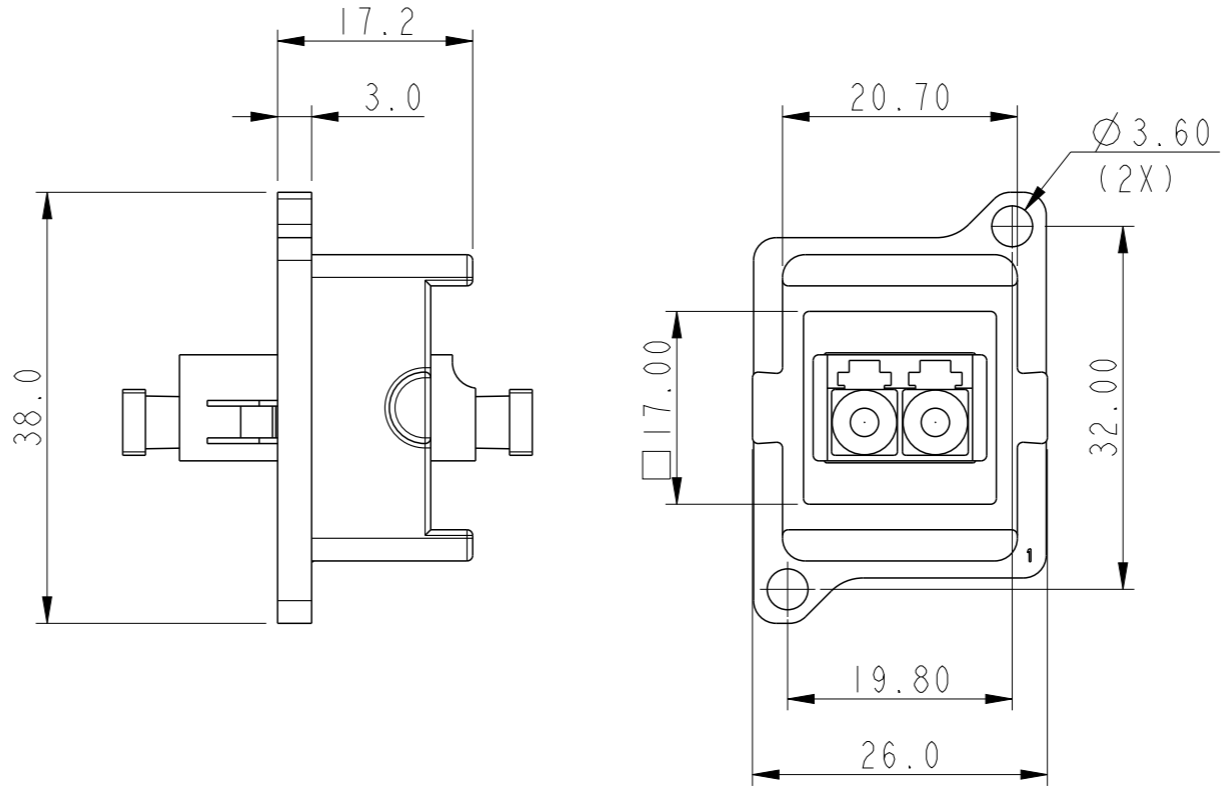
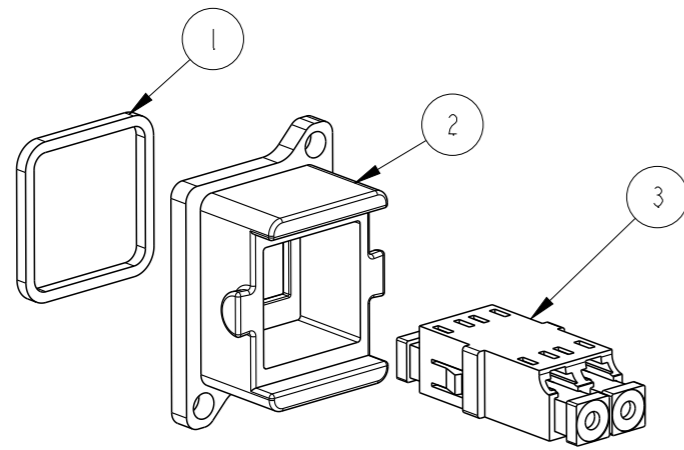
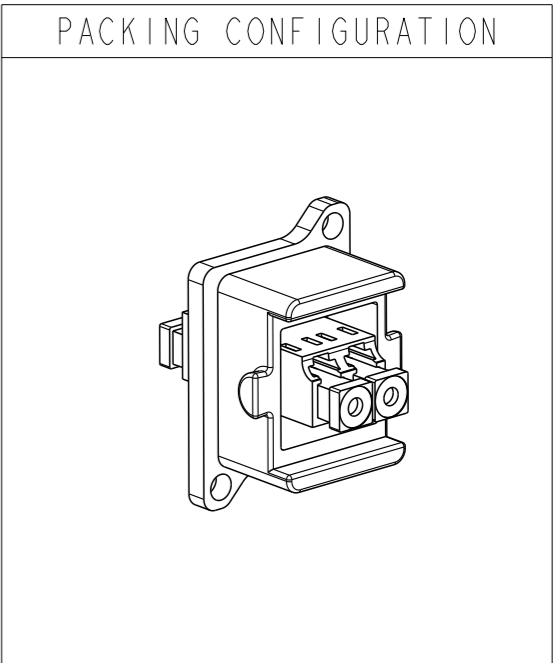
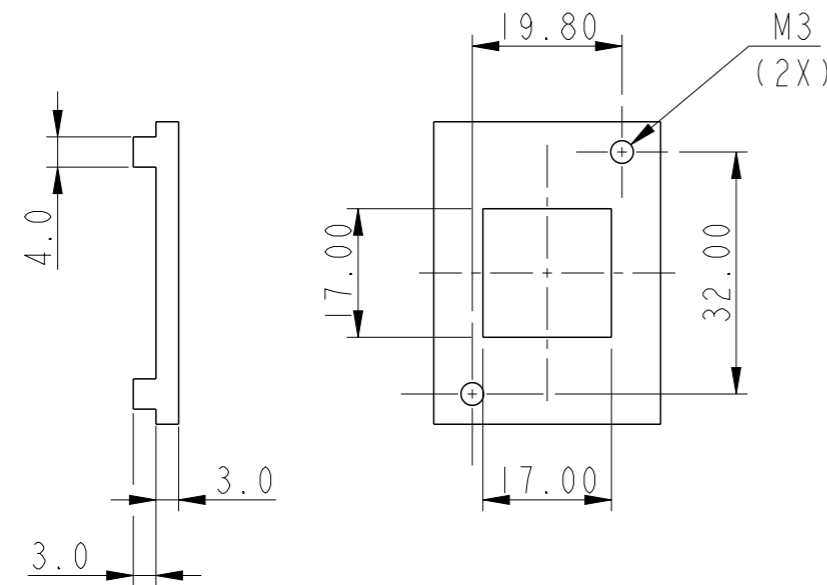


PART NUMBER  
10145423-101LF

BULKHEAD ADAPTER ASSEMBLY FOR OCTIS LC DUPLEX ADAPTER PLUG KIT



PANEL CUTOUT DIMENSIONS



SL NO.	COMPONENT	MATERIAL	QTY	COLOUR
1	SEALING GASKET	SILICONE	1	BLACK
2	BULKHEAD FOR LC ADAPTER	IXEF	1	BLACK
3	LC DUPLEX ADAPTER	THERMOPLASTIC+CERAMIC	1	AQUA

- NOTES:
- TO BE USED WITH OCTIS PLUG KIT FOR LC DUPLEX ADAPTER VERSION, PITCH 26 MM- PART NUMBER 10145416-XXXLF
  - CASTED MOUNTING PANEL SHOULD HAVE ON ITS REAR SIDE INTEGRAL RECTANGULAR REINFORCED RIBS OF 3MM THICKNESS AND 4MM WIDTH ALONG THE MOUNTING SCREW PLANE AT THE TOP AND BOTTOM TO ACCOMODATE THE BLIND INTERNAL SCREW THREAD

spec ref	dr	Jibin John	2017/11/29	projection	MM	size	A3	scale	1:1
tolerance std	eng	B T Varghese	2018/01/18			ecn no	-	rel level	Released
ISO 406 ISO 1101	chr	-	-						
surface	linear	0.X	±0.3		LC ADAPTER AND BULKHEAD ASSEMBLY FOR OCTIS LC DUPLEX ADAPTER PLUG KIT, PITCH 26 MM	dwg no	10145423	rev	A
		0.XX	±0.10						
ISO 1302	angular	0°	±2°	cat. no.	-	Product - Customer Drw	sheet 1 of 1		

© 2016 AFCI  
 Amphenol  
 FCI