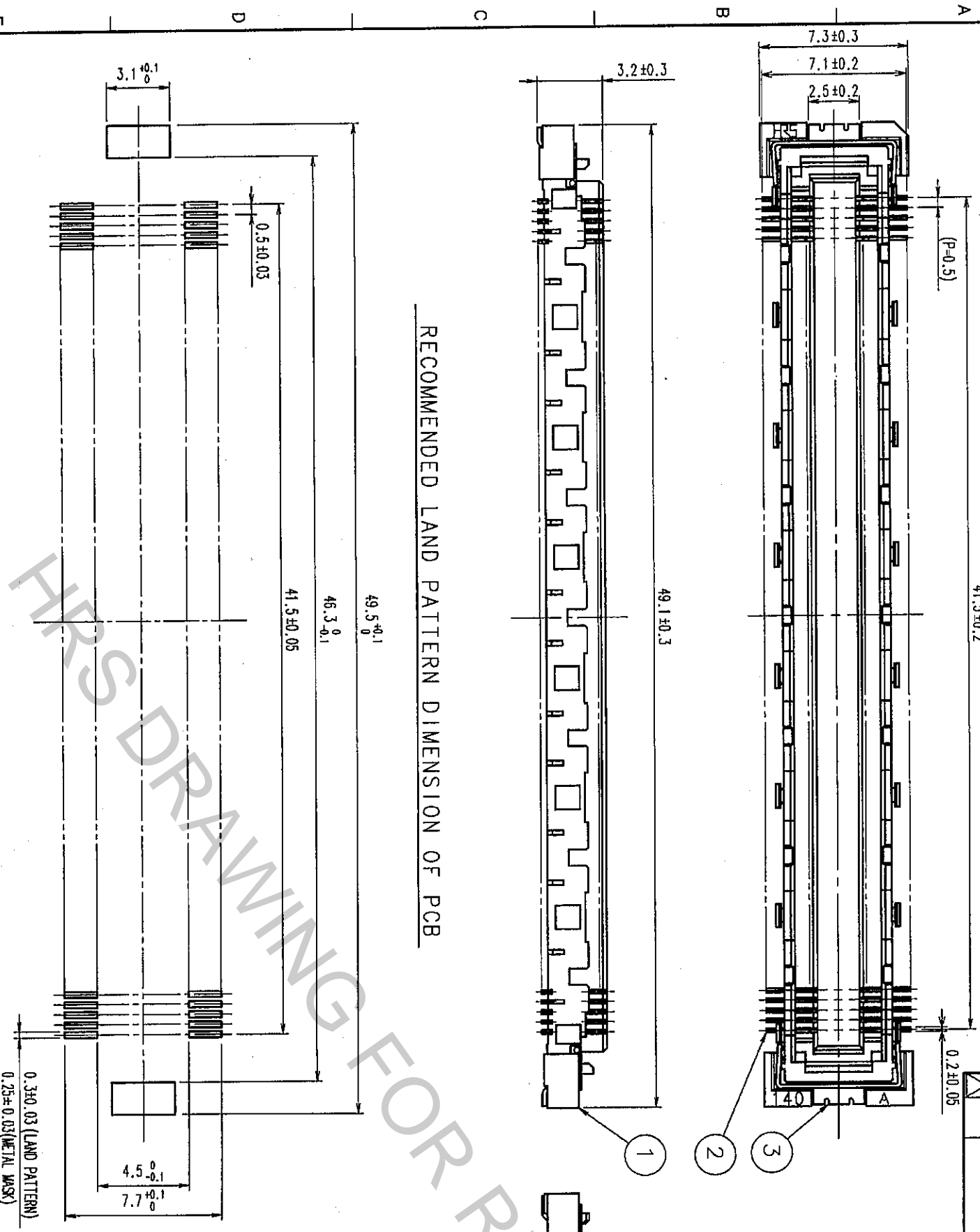


| COUNT | DESCRIPTION OF REVISIONS | BY | CHKD | DATE | COUNT | DESCRIPTION OF REVISIONS | BY | CHKD | DATE |
|-------|--------------------------|----|------|------|-------|--------------------------|----|------|------|
| 1 | | | | | 1 | | | | |
| 2 | | | | | 2 | | | | |
| 3 | | | | | 3 | | | | |
| 4 | | | | | 4 | | | | |
| 5 | | | | | 5 | | | | |



RECOMMENDED LAND PATTERN DIMENSION OF PCB

- NOTES
- 1 SMT LEAD-COPLANARITY: 0.1 MAX.
 - 2 THIS PRODUCT HAS NO POLARITY TO PATTERN FOR MOUNTING.
 - 3 EMBOSS CARRIER TAPE PACKAGE IS APPLIED ON THIS PRODUCT. PLEASE REFER TO THE SHEET 2/2 FOR THE DETAILS.

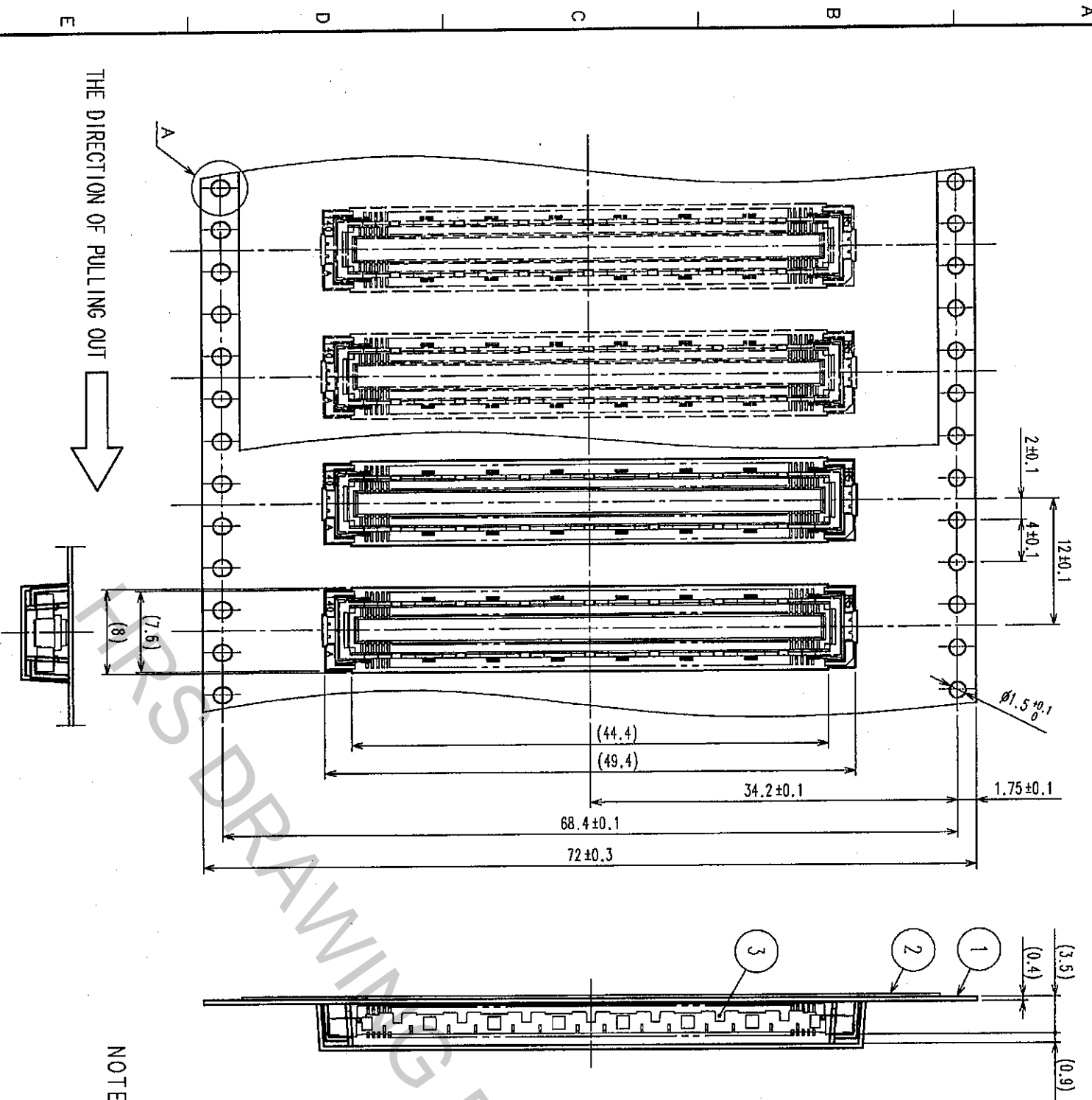
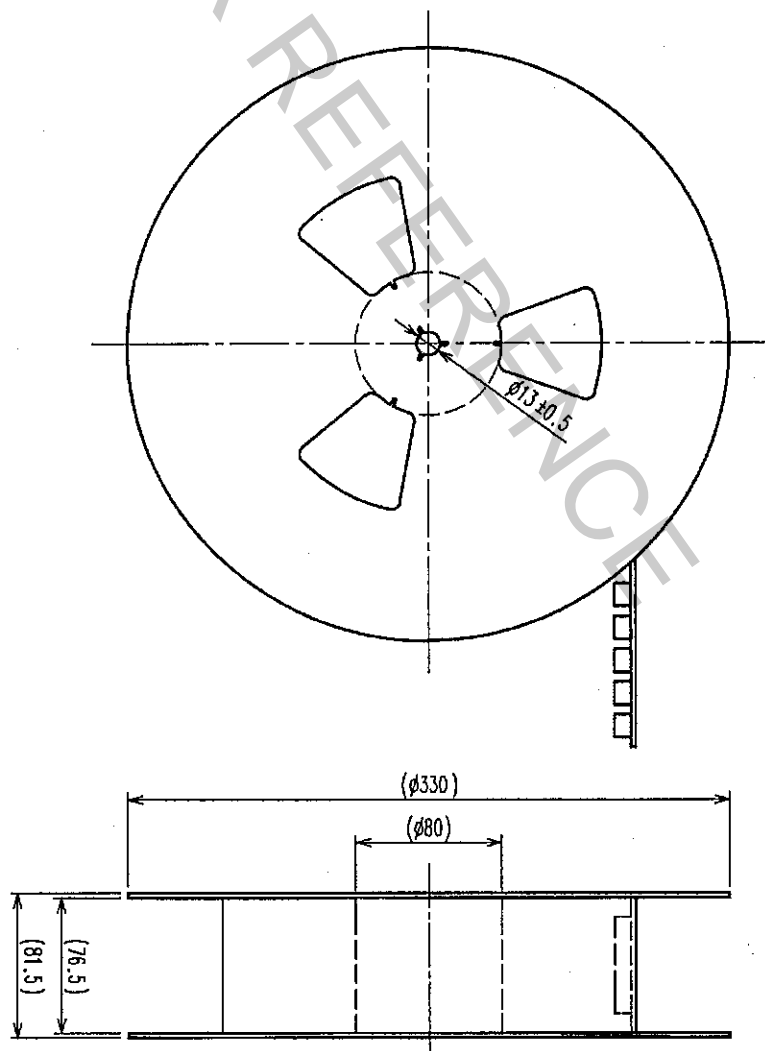
| | |
|-----|--|
| TO | |
| PCK | |

| | | |
|----------------|-----------------|---|
| 2 | PHOSPHOR BRONZE | CONTACT AREA: GOLD (0.1µm) OVER NICKEL LEAD-GOLD FLASH OVER NICKEL |
| 1 | LCP | BEIGE UL94V-0 |
| CODE NO. (OLD) | | CL |
| DRAWING NO. | | EDC3-151991-01 |
| SCALE | | 4 : 1 |
| UNITS | | MM |
| DRAWN | | J. Sakada 00-01-09 |
| DESIGNED | | J. Sakada 00-01-09 |
| CHECKED | | M. Sakada 00-01-11 |
| APPROVED | | [Signature] 00-01-11 |
| RELEASED | | |
| PART NO. | | FX10B-168S-SV (21) |
| CODE NO. | | CL570-0254-0-21 |

HRS DRAWING FOR REFERENCE

| NO. | DESCRIPTION OF REVISIONS | BY | CHKD | DATE | COUNT | DESCRIPTION OF REVISIONS | BY | CHKD | DATE |
|-----|--------------------------|----|------|------|-------|--------------------------|----|------|------|
| 1 | | | | | | | | | |
| 2 | | | | | | | | | |

REEL DIMENSION (Free)



NOTES
 1 REEL: 1000 CONNECTORS.
 2 MINIMUM 10 COMPARTMENTS FROM BOTH REEL ENDS REMAIN EMPTY.
 3 THIS PRODUCT HAS NO POLARITY TO TAPE AND REEL PACKAGING.

| NO. | PET | TOP COVER TAPE | NO. | (CONNECTOR) | FINISH, REMARKS |
|-----|-----|-----------------------|-----|-------------|-----------------|
| 1 | PS | EMBOSSED CARRIER TAPE | 3 | | |
| 2 | | | | | |

| | | | | | |
|---------------------|-------|----------------------------|------------------|----------------------------|------------------|
| DRAWING FOR PACKING | | DRAWING NO. EDC3-151991-01 | | PART NO. FX10B-168S-SV(21) | |
| SCALE | 2 : 1 | DRAWN | <i>T. Sasaki</i> | DESIGNED | <i>T. Sasaki</i> |
| UNITS | MM | CHECKED | <i>M. Sasaki</i> | APPROVED | <i>M. Sasaki</i> |
| HRS | | CODE NO. CL570-0254-0-21 | | RELEASED | |