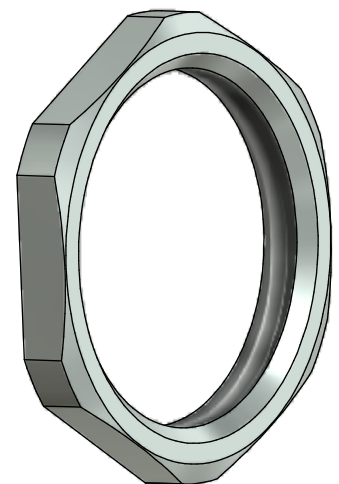
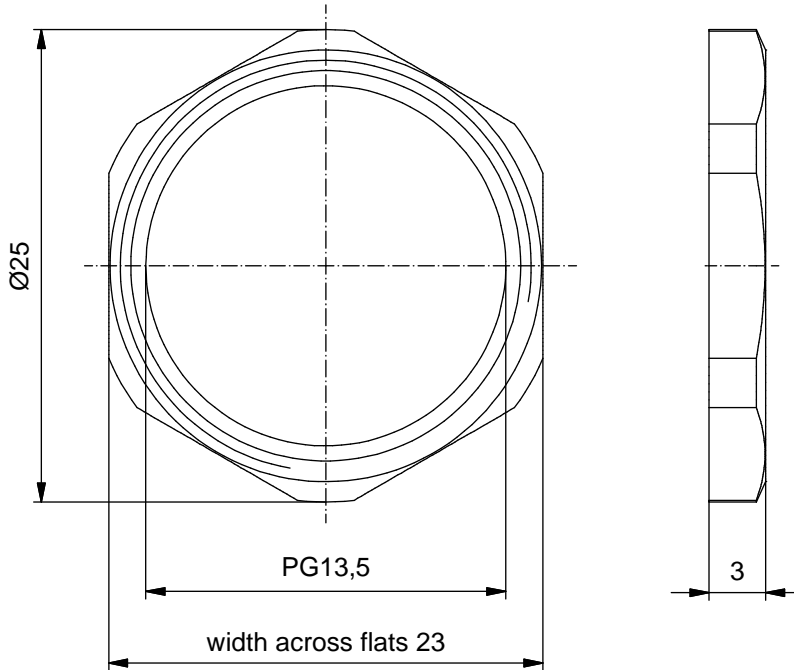


Materials:

material: CuZn

plating: Nickel gal.



DO NOT ALTER CAD DRAWING BY HAND
Directive 2002/95/EC RoHS compliant

general tolerance:	0	$\pm 0,50\text{mm}$
	0,0	$\pm 0,25\text{mm}$
	0,00	$\pm 0,10\text{mm}$
THIS DRAWING MAY NOT BE COPIED OR REPRODUCED IN ANY WAY, AND MAY NOT BE PASSED ON TO A THIRD PARTY WITHOUT WRITTEN PERMISSION. OWNERSHIP AND COPYRIGHT OF CONEC GmbH		

	dim. in mm	
	date	name
drawn	22.03.10	Fromm
appd.	22.03.10	Mankopf
CONEC [®]		

title:	Hex nut PG13,5
dwg no:	41K1A399
part no:	41-40029