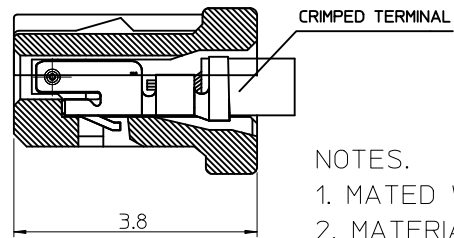
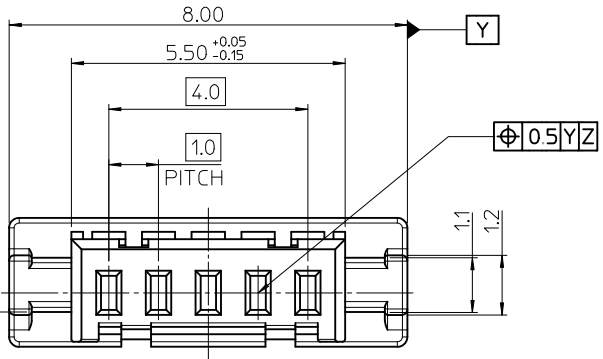
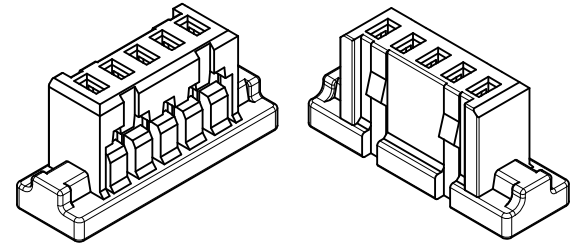


7 6 5 4 3 2 1

E



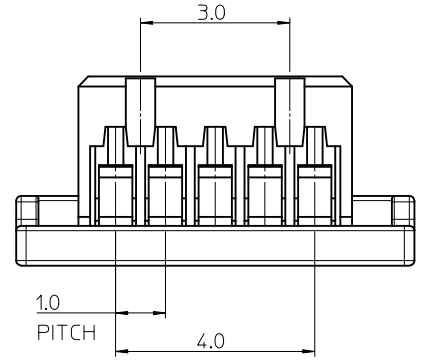
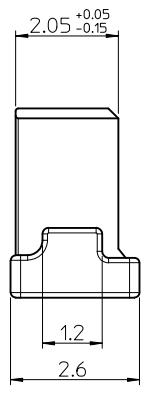
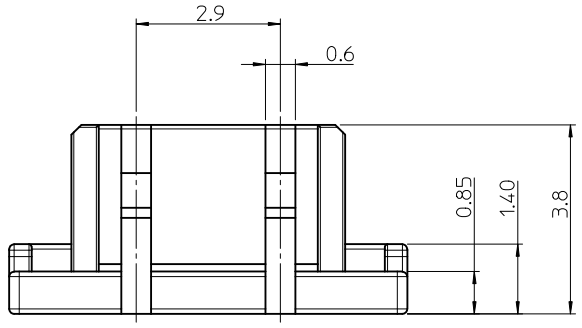
MATED CONDITION
[REFERENCE]



- NOTES.
- MATED WITH : 104127-0510
 - MATERIAL: LIQUID CRYSTAL POLYMER(LCP), GLASS FILLED, UL94V-0
COLOR : NATURAL COLOR
HALOGEN FREE, COLOR OF NATURAL
 - APPLICABLE TERMINAL : 104539-8002
 - PRODUCT SPECIFICATION : PS-104127-002
 - PACKAGING SPECIFICATION : PK-104128-002

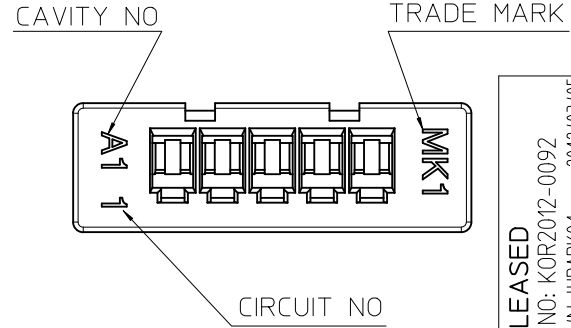
D

Z



C

B



ORDER NO 104128-0500

RELEASED EC NO: KOR2012-0092 DRWN: JHPARK01 2012/03/05 CHKD: APPR: YSKIM02 2012/03/16 DESCRIPTION REV A	QUALITY SYMBOLS	GENERAL TOLERANCES (UNLESS SPECIFIED)	DIMENSION STYLE MM ONLY	SCALE 7/1	DESIGN UNITS METRIC	THIRD ANGLE PROJECTION	
	$\nabla=0$ $\sphericalangle=0$	mm INCH 4 PLACES ± --- ± --- 3 PLACES ± --- ± --- 2 PLACES ± 0.15 ± --- 1 PLACE ± 0.20 ± --- ANGULAR ± ---°	DRAWN BY: JHPARK01 CHECKED BY: SHCHU APPROVED BY: YSKIM02 MATERIAL NO. 1041280500	DATE: 2012/02/24 DATE: 2012/02/24 DATE: 2012/03/16	TITLE	1.0MM WTB CONN.5P HOUSING	
		DRAFT WHERE APPLICABLE MUST REMAIN WITHIN DIMENSIONS			MOLEX MOLEX INCORPORATED		
					DOCUMENT NO. SD-104128-002	SHEET NO. 1 OF 1	
				SIZE A 4	THIS DRAWING CONTAINS INFORMATION THAT IS PROPRIETARY TO MOLEX INCORPORATED AND SHOULD NOT BE USED WITHOUT WRITTEN PERMISSION		

6 5 4 3 2 1

A