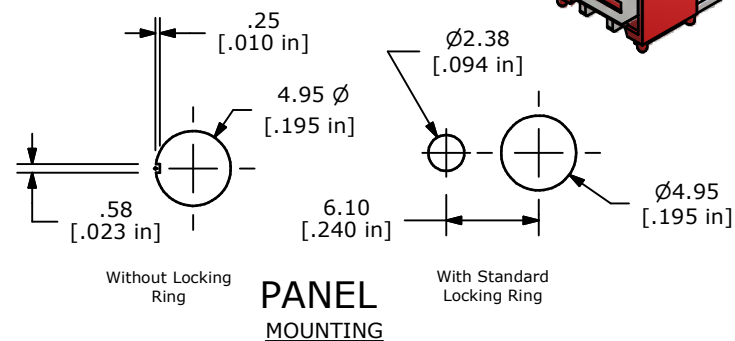
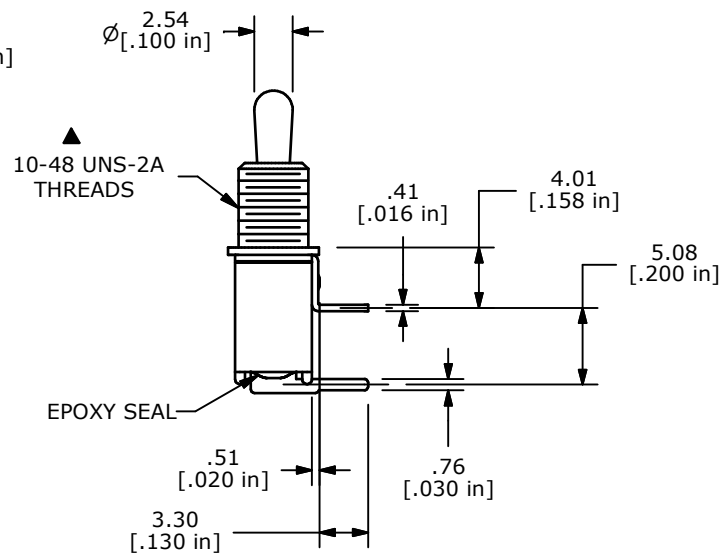
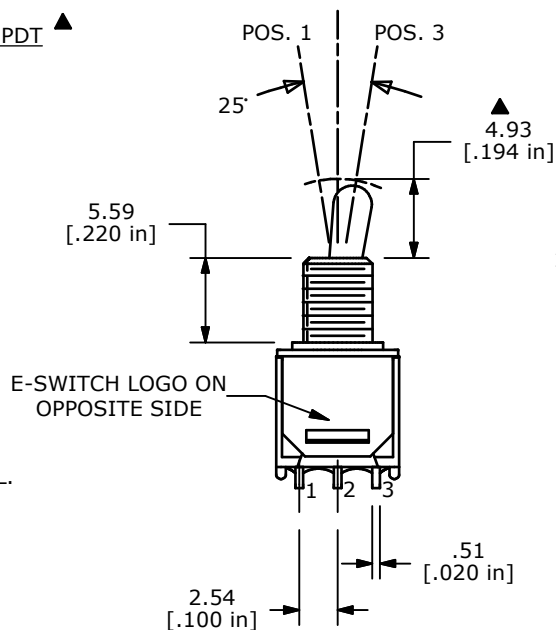
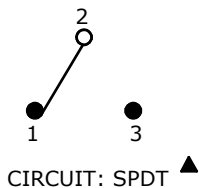


ISOMETRIC



| SWITCH FUNCTION |        |        |
|-----------------|--------|--------|
| POS. 1          | POS. 2 | POS. 3 |
|                 |        |        |
| ON              | OFF    | ON     |
| 2-3             | OPEN   | 2-1    |



NOTE:

1. ALL DIMENSIONS IN MM [INCH]
2. GENERAL TOLERANCE: X.X=±0.4  
X.XX=±0.25
3. TERMINAL NUMBERS FOR REF ONLY
- ▲ 4. PLATING MATERIAL: SILVER
5. RATING: 3A @ 120VAC; 1A @ 250VAC
6. LIFE EXPECTANCY: 30,000 MAKE-AND-BREAK CYCLES AT FULL LOAD.
7. INSULATION RESISTANCE: 1,000 MΩ MIN.
8. DIELECTRIC STRENGTH: 1,000 V RMS @SEA LEVEL.
9. OPERATING TEMP.: -30°C to 85°C
- ▲ 10. DENOTES CRITICAL PARAMETER.
11. 2002/95/EC (ROHS) COMPLIANT.
12. HARDWARE TO BE SHIPPED BULK  
T200001 - HEXNUT - QTY 2  
T200000 - LOCKWASHER - QTY 1  
T100003 - LOCKRING - QTY 1



|     |        |                         |         |     |
|-----|--------|-------------------------|---------|-----|
| A   | 18530  | RELEASED FOR PRODUCTION | 5/21/09 | BLR |
| REV | PCR NO | DESCRIPTION             | DATE    | BY  |

THE INFORMATION CONTAINED IN THIS DOCUMENT IS PROPRIETARY TO E-SWITCH AND IS NOT TO BE COPIED OR TRANSFERRED

|                        |           |     |          |     |
|------------------------|-----------|-----|----------|-----|
| TITLE 200MSP3T2B3M6QEH |           |     |          |     |
| SCALE                  | DATE      | DR  | DWG      | REV |
| 2:1                    | 5/21/2009 | BLR | ST221070 | A   |