

8P1P YYY 2 0 0 GRF 01

SERIES 14.00 [0.551]
 # OF POSITIONS (Ex. 002) **SEE CHART A**
 2 = FEMALE
 SOLDER CUP (PANEL MOUNT)
 PLASTIC SHELL
 1 = GOLD FLASH
 RoHS COMPLIANT
 NUT "B" COLOR G = GREY

CHARACTERISTICS

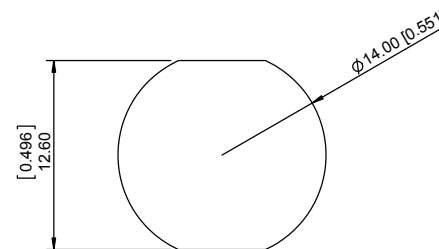
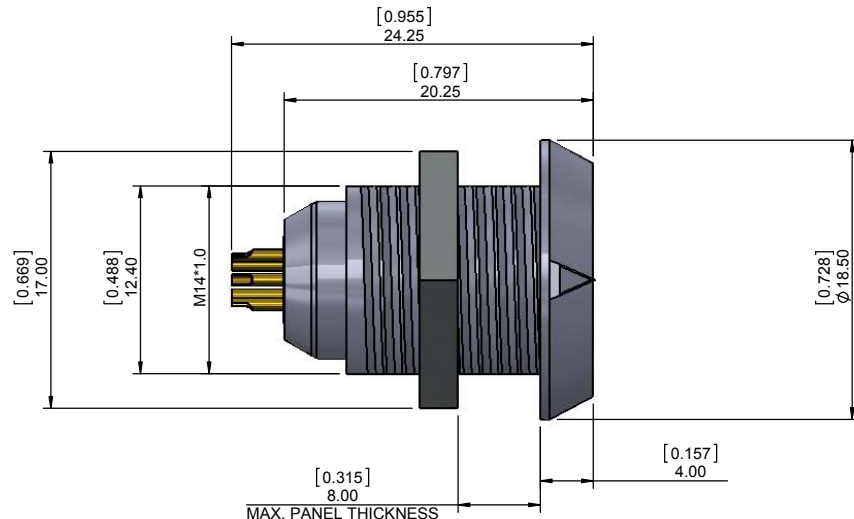
MATERIALS

HOUSING : ABS+PC
 HOUSING COLOR : GREY
 NUT A : BRASS
 NUT A PLATING : NICKEL
 CONTACTS : COPPER ALLOY
 CONTACT PLATING : 7μ" GOLD PLATED OVER 196μ" NICKEL MIN.
 INSULATOR : PPS (HIGH TEMPERATURE)

MECHANICAL

DURABILITY: 2000 CYCLES
 OPERATING TEMP. RANGE: -20°C ~ +120°C
 PROCESS TEMPERATURE : 260°C FOR 5 SECONDS
 MAX. TORQUE VALUE : 0.7 Nm [6.19 IN/lbs]

IP RATING: 50



PANEL CUTOUT

TOLERANCE = +0.10, -0.0
 [+0.004, -0.00]

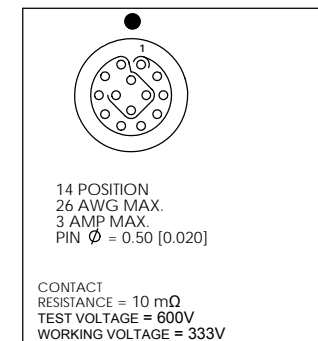


CHART A

● = KEY LOCATION

VIEW FROM TERMINATION END

2 POSITION 22 AWG MAX. 10 AMP MAX. PIN Ø = 1.30 [0.051]	3 POSITION 22 AWG MAX. 10 AMP MAX. PIN Ø = 1.30 [0.051]	4 POSITION 22 AWG MAX. 8 AMP MAX. PIN Ø = 0.90 [0.035]	5 POSITION 22 AWG MAX. 8 AMP MAX. PIN Ø = 0.90 [0.035]	6 POSITION 24 AWG MAX. 6 AMP MAX. PIN Ø = 0.70 [0.028]	7 POSITION 24 AWG MAX. 6 AMP MAX. PIN Ø = 0.70 [0.028]	8 POSITION 24 AWG MAX. 5 AMP MAX. PIN Ø = 0.70 [0.028]	9 POSITION 26 AWG MAX. 3 AMP MAX. PIN Ø = 0.50 [0.020]	10 POSITION 26 AWG MAX. 3 AMP MAX. PIN Ø = 0.50 [0.020]
CONTACT RESISTANCE = 5 mΩ TEST VOLTAGE = 1250V WORKING VOLTAGE = 500V	CONTACT RESISTANCE = 5 mΩ TEST VOLTAGE = 1250V WORKING VOLTAGE = 500V	CONTACT RESISTANCE = 6 mΩ TEST VOLTAGE = 1250V WORKING VOLTAGE = 500V	CONTACT RESISTANCE = 6 mΩ TEST VOLTAGE = 1100V WORKING VOLTAGE = 500V	CONTACT RESISTANCE = 7.5 mΩ TEST VOLTAGE = 1000V WORKING VOLTAGE = 450V	CONTACT RESISTANCE = 7.5 mΩ TEST VOLTAGE = 1000V WORKING VOLTAGE = 450V	CONTACT RESISTANCE = 7.5 mΩ TEST VOLTAGE = 875V WORKING VOLTAGE = 400V	CONTACT RESISTANCE = 10 mΩ TEST VOLTAGE = 600V WORKING VOLTAGE = 333V	CONTACT RESISTANCE = 10 mΩ TEST VOLTAGE = 600V WORKING VOLTAGE = 333V

RoHS COMPLIANT

THESE DRAWINGS AND SPECIFICATIONS ARE THE PROPERTY OF NorComp AND SHALL NOT BE REPRODUCED, COPIED OR USED AS THE BASIS FOR THE MANUFACTURE OR SALE OF APPARATUS WITHOUT WRITTEN PERMISSION.

NorComp

DRAWN: M. SIGMON	DATE: 10-04-16	SCALE: N.T.S.	SHEET 1 OF 1	REV: 1
CHECKED:	DATE:		DWG NO. 8P1PYYY200GRF01	