

PLEASE CHECK WWW.MOLEX.COM FOR LATEST PART INFORMATION

Part Number: [5601240131](#)
Status: **Active**
Overview: [DuraClik Connector System](#)
Description: DuraClik ISL Wire-to-Board Crimp Receptacle Terminal, Female, ASS 0.3 Square Wire, Gold

Documents:

[Drawing \(PDF\)](#) [Packaging Specification PK-560124-002 \(PDF\)](#)
[Product Specification PS-560123-003-001 \(PDF\)](#) [RoHS Certificate of Compliance \(PDF\)](#)
[Application Specification AS-560123-001-001 \(PDF\)](#)

General

Product Family Crimp Terminals
 Series [560124](#)
 Application Signal
 Crimp Quality Equipment Yes
 Overview [DuraClik Connector System](#)
 Product Name DuraClik
 UPC 889056303293

Physical

Gender Female
 Material - Metal Copper Alloy
 Material - Plating Mating Gold
 Material - Plating Termination Tin
 Net Weight 0.063/g
 Packaging Type Reel
 Plating min - Mating 0.203µm
 Plating min - Termination 0.610µm
 Termination Interface: Style Crimp or Compression
 Wire Insulation Diameter 1.40mm
 Wire Size AWG 22
 Wire Size mm² 0.35

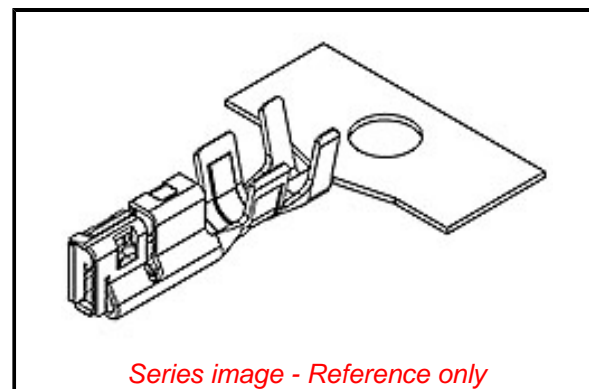
Electrical

Current - Maximum per Contact 3.0A
 Voltage - Maximum 125V

Material Info

Reference - Drawing Numbers

Application Specification AS-560123-001-001
 Crimp Specification CS-560124-001-001
 Packaging Specification PK-560124-002
 Product Specification PS-560123-003-001



Series image - Reference only

EU ELV

Compliant

EU RoHS

Compliant

REACH SVHC

Not Contained Per -
 ED/61/2018 (27 June
 2018)

Halogen-Free

Status

Low-Halogen

Need more information on product environmental compliance?

Email productcompliance@molex.com
 Please visit the [Contact Us](#) section for any non-product compliance questions.

China ROHS	Not Relevant
ELV	Compliant
RoHS Phthalates	Not Contained

Search Parts in this Series

[560124 Series](#)

Use With

[560123 DuraClik ISL Receptacle Housing](#)