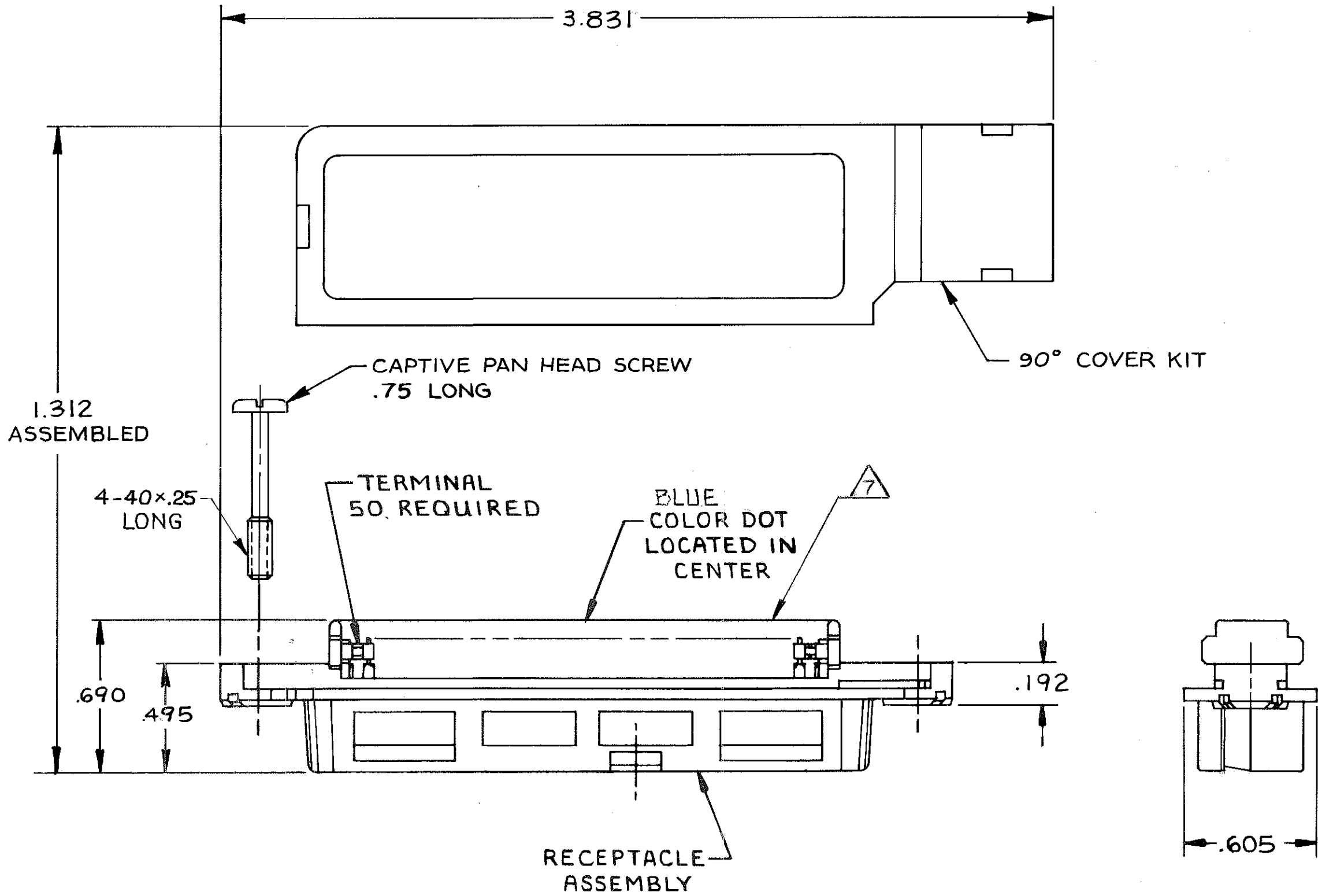
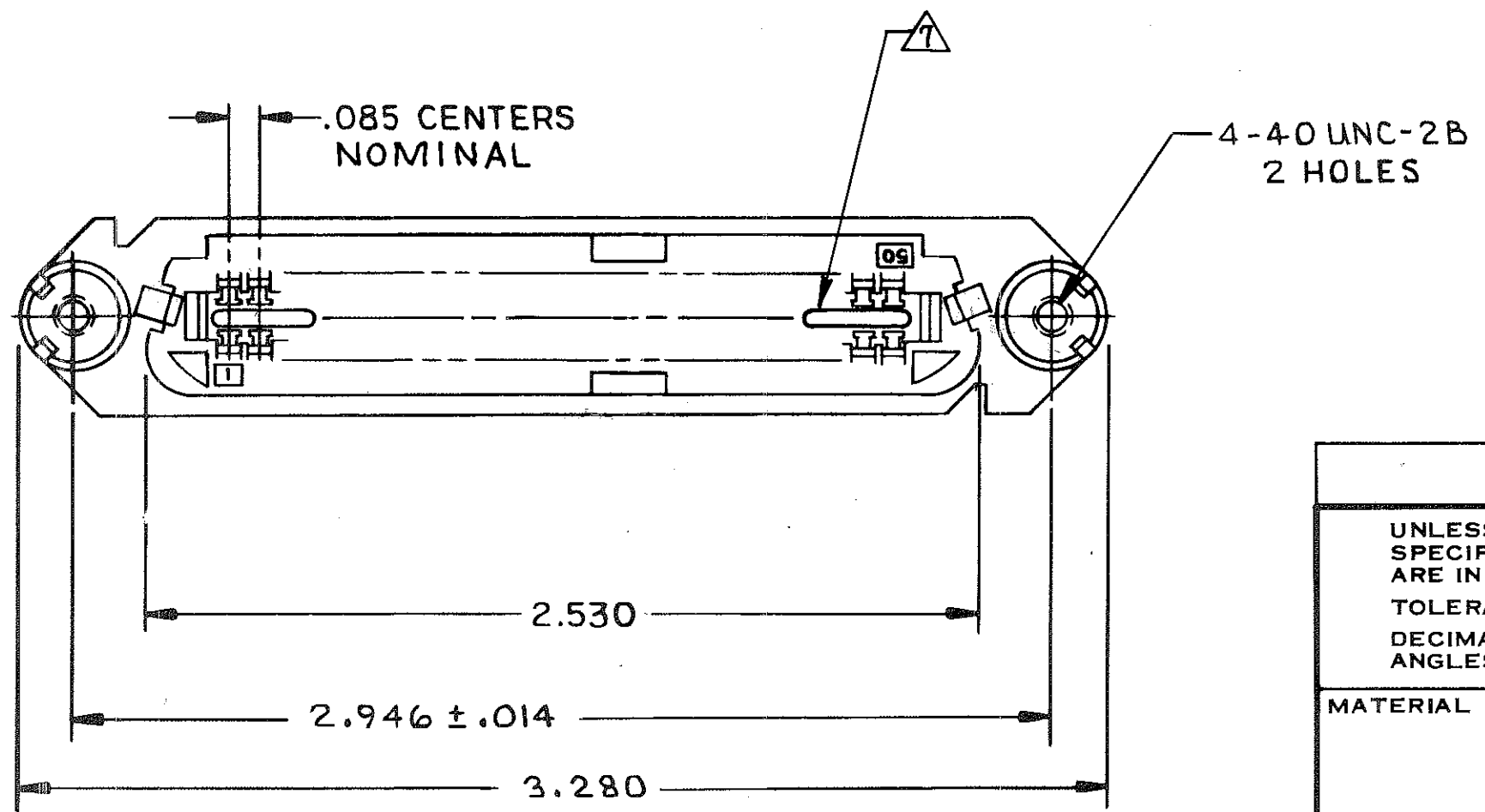


© COPYRIGHT 1974 BY AMP INCORPORATED, HARRISBURG, PA. ALL INTERNATIONAL RIGHTS RESERVED. AMP INCORPORATED PRODUCTS COVERED BY U. S. AND FOREIGN PATENTS AND/OR PATENTS PENDING.

REVISIONS						
P	F	ZONE	LTR	DESCRIPTION	DATE	APPROVED
J			J	OBS - 4; ECN AA-5371	1/4/89	TE
			K	REV; EC 0UIC-0040-01	3-19-01	DD EB



1. THE CONTACT SURFACES OF THE TERMINALS ARE COATED WITH LUBRICANT.
 2. ALL DIMENSIONS SHOWN ARE MAXIMUM UNLESS OTHERWISE SPECIFIED.
 3. MATERIAL: HOUSING & COVERS - POLYPHENYLENE OXIDE. TERMINALS - GOLD OVER NICKEL PLATED HIGH STRENGTH COPPER ALLOY. HARDWARE - ZINC PLATED STEEL.
 4. COVERS AND HARDWARE SHIPPED UNASSEMBLED.
 5. WIRE SIZE: 24 & 26 AWG SOLID & 24/7 STRAND COPPER CONDUCTORS. MAX. INSULATION DIAMETER OF .045 IS ACCEPTABLE FOR MOST APPLICATIONS.
 6. CABLE RANGE: .415 - .465 DIA.
- △ CORING MAY OR MAY NOT APPEAR AND IS AT THE DISCRETION OF AMP INCORPORATED.



POLY BAGGED	BLACK	552260-1
PACKAGING	COLOR	PART NO

UNLESS OTHERWISE SPECIFIED DIMENSIONS ARE IN INCHES. TOLERANCES ON: DECIMALS ± ANGLES ±	CONTRACT NO	AMP INCORPORATED Harrisburg, Pa.	
	DR <i>J.ritchard</i> 11-23-81		
	MATERIAL	CHK <i>MDJriel</i> 11-9-82	NAME RECEPTACLE KIT, 50 POSITION, B SLOT SCREW LOCK W/ 90° COVER, CHAMP-LOK®
	FINISH	APPD <i>3/10/82</i> APPB <i>3/10/82</i>	SIZE CODE IDENT NO DRAWING NO C 00779 552260
	DSGN APPD	SCALE 2/1	SHEET 1 OF 1
	OTHER APPD		

552260