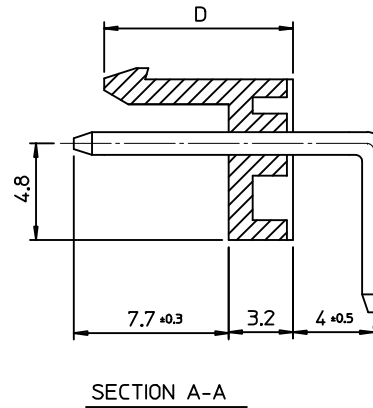
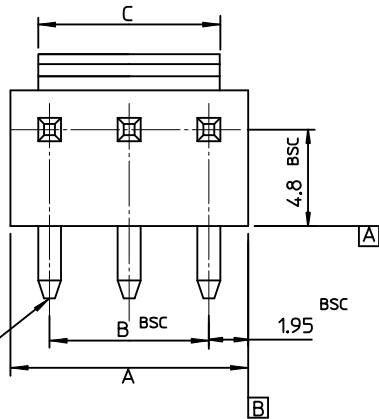
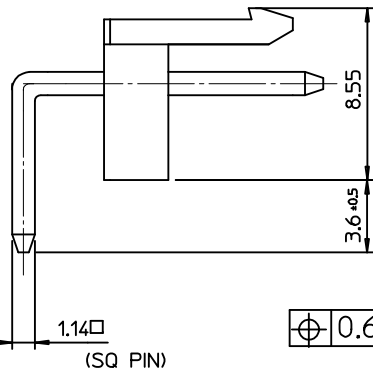


NOTES

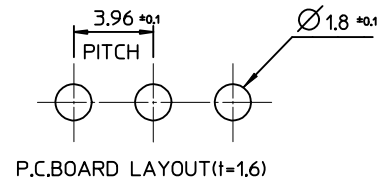
- MATERIAL : HEADER - POLYAMIDE(PA66), PC/PET
PIN : BRASS(CDA 2700)
- FINISHES : PIN
THICKNESS - TIN 3.0 MICROMETER MIN.
OVER Cu 1.5 MICROMETER MIN.
- PRODUCT SPECIFICATION : PS-35978-001 (G1)

LEGEND

- 35978-****
- COLOR : 0 - WHITE
 - 1 - BLACK
 - 2 - RED
 - 3 - YELLOW
 - 4 - BLUE
- MATERIAL : 2 : POLYAMIDE66(PA66)
4 : PC/PET
- CURCUIT NO. (02.03,04...)



9.4	56.50	55.44	59.40	3597815**	35978-15**	15
	52.54	51.48	55.44	3597814**	-14**	14
9.7	48.58	47.52	51.48	3597813**	-13**	13
	44.62	43.56	47.52	3597812**	-12**	12
	40.66	39.60	43.56	3597811**	-11**	11
	36.70	35.64	39.60	3597810**	-10**	10
	32.74	31.68	35.64	3597809**	-09**	9
	28.78	27.72	31.68	3597808**	-08**	8
	24.84	23.76	27.72	3597807**	-07**	7
	20.86	19.80	23.76	3597806**	-06**	6
	16.90	15.84	19.80	3597805**	-05**	5
	12.94	11.88	15.84	3597804**	-04**	4
8.98	7.92	11.88	3597803**	-03**	3	
D	5.02	3.96	7.92	3597802**	-02**	2
	C	B	A	MAT'L NO	ENG NO.	CURCUITS



REVISED
EC NO: KOR2012-0133
DRWN:CBCHIN
CHKD:SHCHU
APPR:YSKIM02

2012/06/19
2012/06/19
2012/07/12
DESCRIPTION
REV

QUALITY SYMBOLS	GENERAL TOLERANCES (UNLESS SPECIFIED)	
	mm	INCH
▽=0	± ---	± ---
▽=0	± ---	± ---
	2 PLACES ± 0.20	± ---
	1 PLACE ± 0.20	± ---
	0 PLACE ± ---	±
	ANGULAR ± 2 °	
	DRAFT WHERE APPLICABLE MUST REMAIN WITHIN DIMENSIONS	

DIMENSION STYLE
MM ONLY

SCALE
4:1

DESIGN UNITS
METRIC

THIRD ANGLE PROJECTION

DRAWN BY
Y.R.WI

DATE
1999/05/07

CHECKED BY
J.K.OH

DATE
1999/05/07

APPROVED BY
C.W.LEE

DATE
1999/05/07

MATERIAL NO.
SEE TABLE

SIZE
A3

TITLE
3.96 W/B HEADER ASSY(RA)

molex

DOCUMENT NO.
SD-35978-002

SHEET NO.
1 OF 1

THIS DRAWING CONTAINS INFORMATION THAT IS PROPRIETARY TO MOLEX INCORPORATED AND SHOULD NOT BE USED WITHOUT WRITTEN PERMISSION