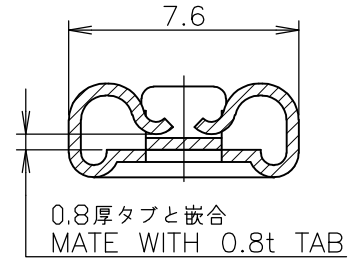
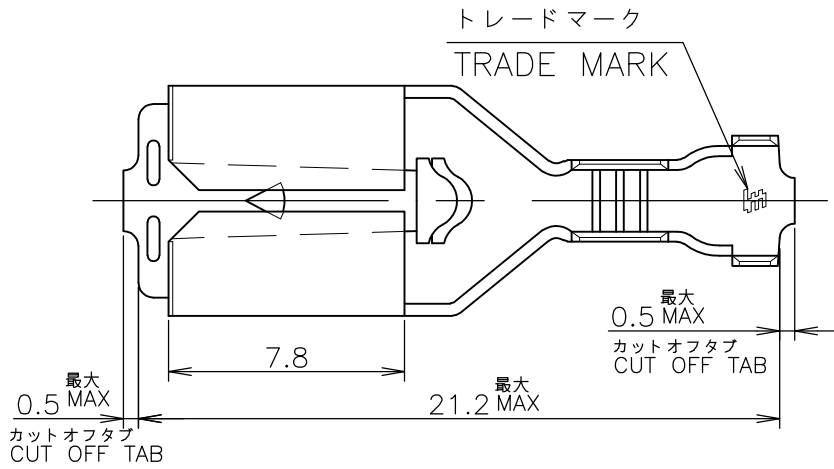
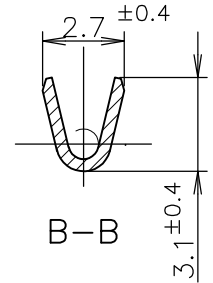
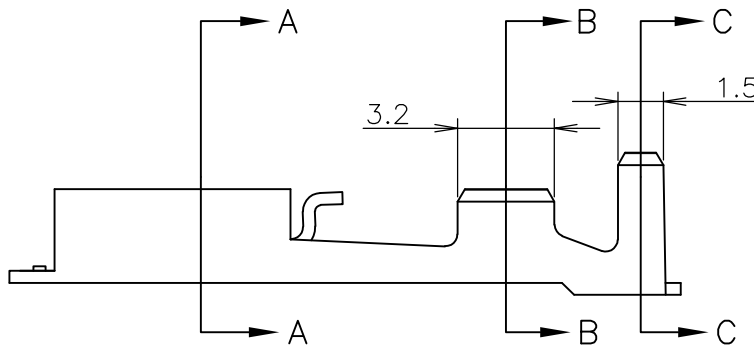


LOC J	DIST	REVISIONS 変更			DATE	DWN	APVD
		P	LTR	DESCRIPTION			
			C1	REVISED PER ECO-11-005030	11MAR11	RK	HMR

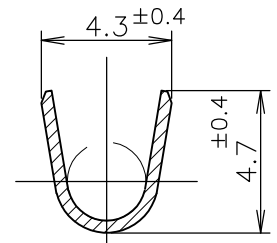
-1; AS SHOWN



A-A



B-B



C-C

- 1 運用スリーブ型番: 174817-1
- 2 本端子は連鎖状でリール巻き
- 3 取扱い説明書: 411-5391

- 1 APPLICABLE SLEEVE P/N: 174817-1
- 2 CONTINUOUS STRIP ON REELS
- 3 INSTRUCTION SHEET NO: 411-5391

911589-1	175021-1	PRE TINNED BRASS 錫めっき付 黄銅 0.4t	175020-1
HAND TOOL NO. 手動工具型番	LOOSE PIECE NO. ばら状端子型番	MATERIAL 材料	P/N 型番

WIRE RANGE 包合電線断面積	AWG #22-#18 0.31~0.89 mm <sup>2</sup>	INSULATION DIA 被覆外径	1.5~3.1 mm $\phi$
-----------------------	--	------------------------	-------------------

THIS DRAWING IS UNPUBLISHED. ALL RIGHTS RESERVED. COPYRIGHT 1999 By -

DIMENSIONS: 単位: 耗 mm	DWN M.SUZUKI 11MAY1999
TOLERANCES UNLESS OTHERWISE SPECIFIED: 一般公差	CHK M.SHINDO 12MAY1999
0 PLC ±	APVD M.SHINDO 12MAY1999
1 PLC ± 10 ≥ : ±0.2	PRODUCT SPEC 製品規格 108-5251
2 PLC ± 30 ≥ > 10: ±0.25	APPLICATION SPEC 取付適用規格 114-5119
3 PLC ± 100 ≥ > 30: ±0.3	WEIGHT
4 PLC ±	
ANGLES ± 3'	

		TE Connectivity	
		NAME 250 SERIES POSITIVE LOCK-EX REC. 250 シリーズ ポジティブロッカーEX リセブタクル	
SIZE	CAGE CODE	DRAWING NO 番号	RESTRICTED TO
A4	00779	175020	
CUSTOMER DRAWING		SCALE 尺度	SHEET
		4:1	1 OF 1
		REV	C1