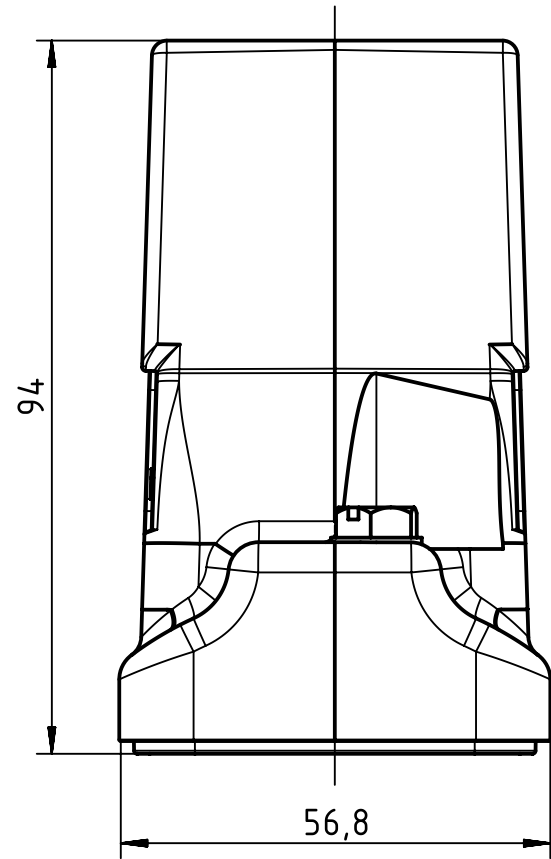
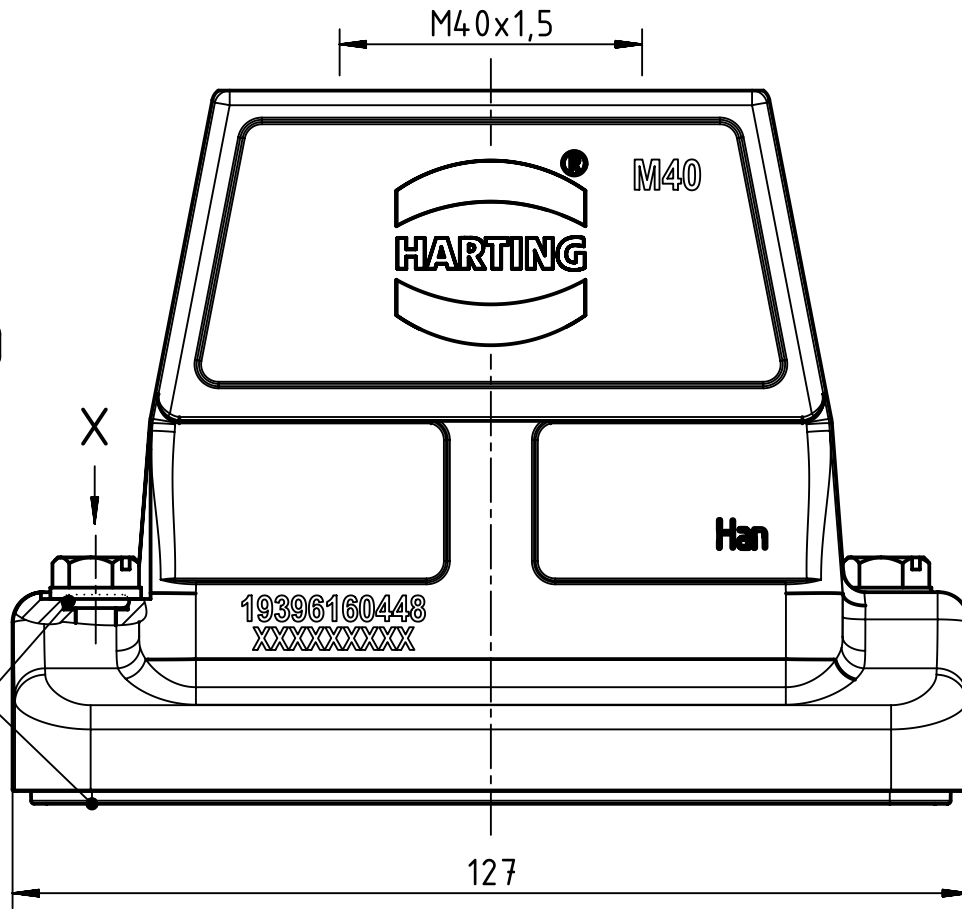
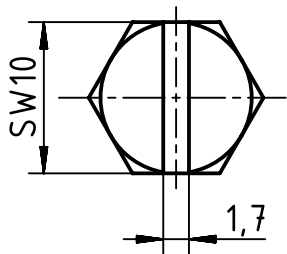
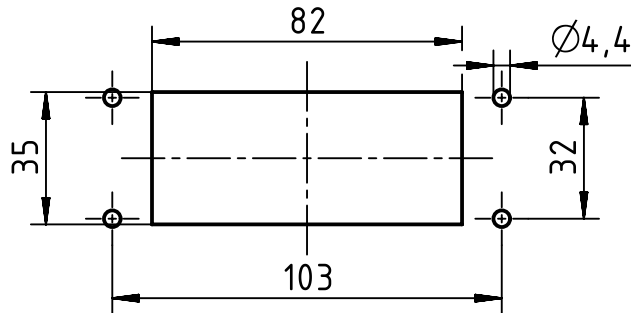


X (2:1)



Panel cut out (1:2)



	All rights reserved Department EL PD - CN HARTING (Zhuhai) Manufacturing Co., Ltd. 519085 Zhuhai, China	All Dimensions in mm Original Size DIN A4		Scale 1:1	Free size tol.	Ref. Sub.
		Created by LONGL	Inspected by WENE	Standardisation SCHMIDTM	Date 2017-03-20	State Final Release
Title Han 16HP Direct/B-HTE-M40					Doc-Key / ECM-Nr. 100632927/UGD/005/D 500000116961	
Type TB			Number 19 39 616 0448		Rev. D	Page 1/1