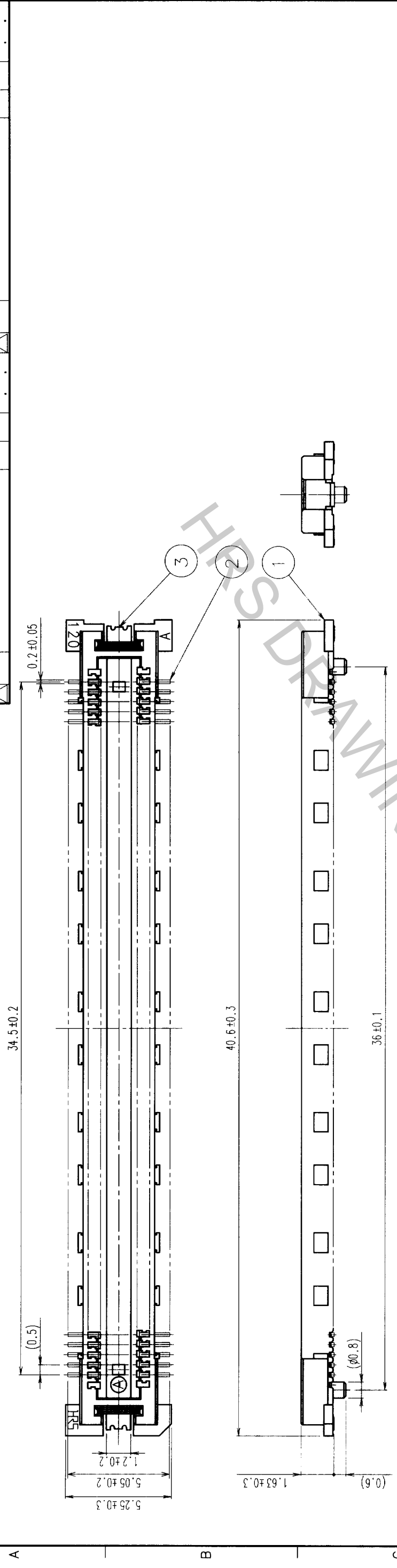
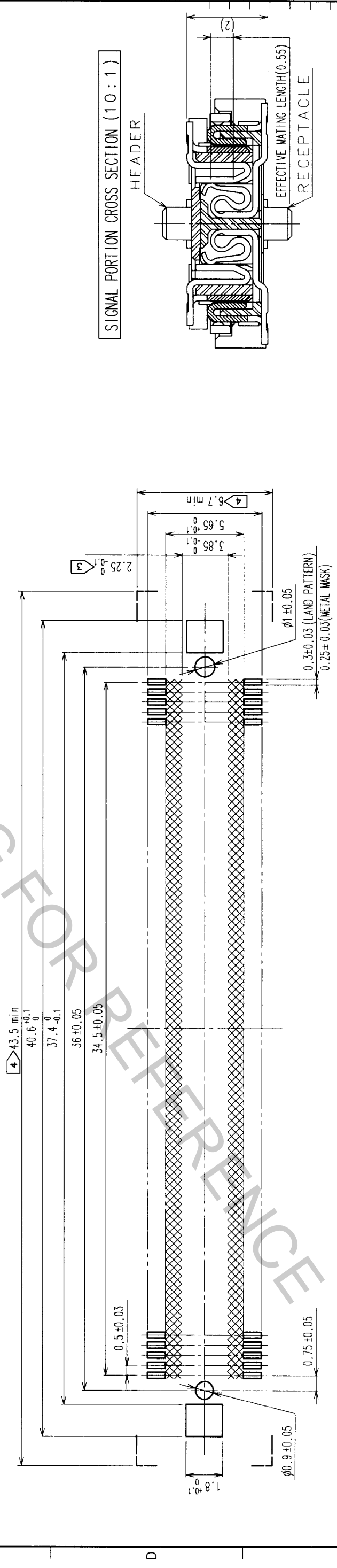


COUNT	DESCRIPTION OF REVISIONS	BY	CHKD	DATE
△				
△				
△				



RECOMMENDED LAND PATTERN DIMENSION OF PCB



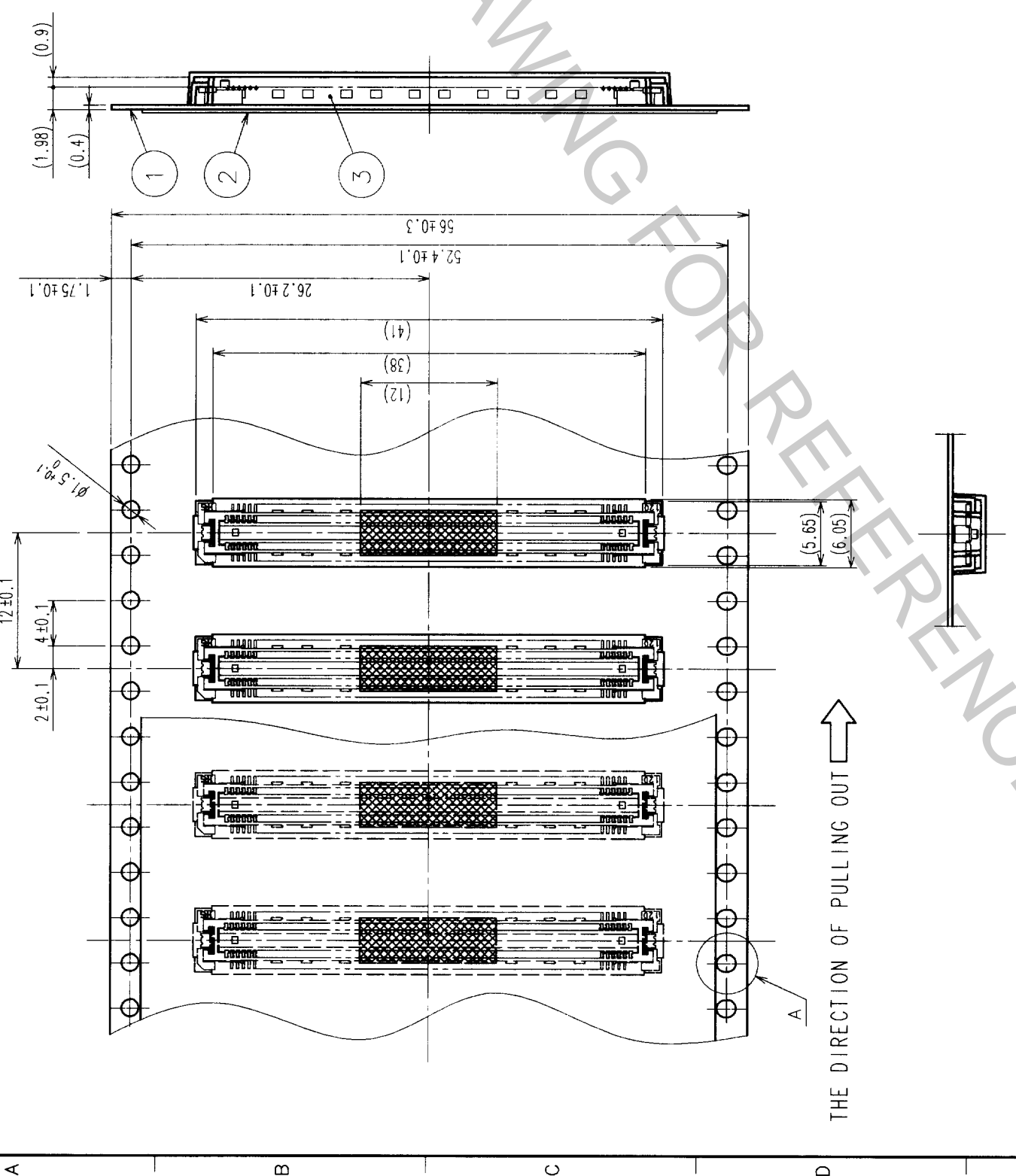
2	COPPER ALLOY	CONTACT AREA: GOLD (0.1μm) OVER NICKEL
1	LCP	LEAD: GOLD FLASH OVER NICKEL
NO.	MATERIAL	BEIGE UL94V-0
CODE NO. (OLD)	FINISH, REMARKS	CL
	DRAWN	Mitsuhama, M. Sakida
	DESIGNED	Mitsuhama, M. Sakida
	CHECKED	J. Yoshimura
	APPROVED	J. Yoshimura
	RELEASED	

3	PHOSPHOR BRONZE	TIN PLATED
NO.	MATERIAL	
PART NO.	FX11LA-140P-SV (22)	
DRAWING NO.	EDC3-152103-02	
SCALE	5 : 1	
UNITS	mm	
CODE NO.	CL573-0045-0-22	
	1	2

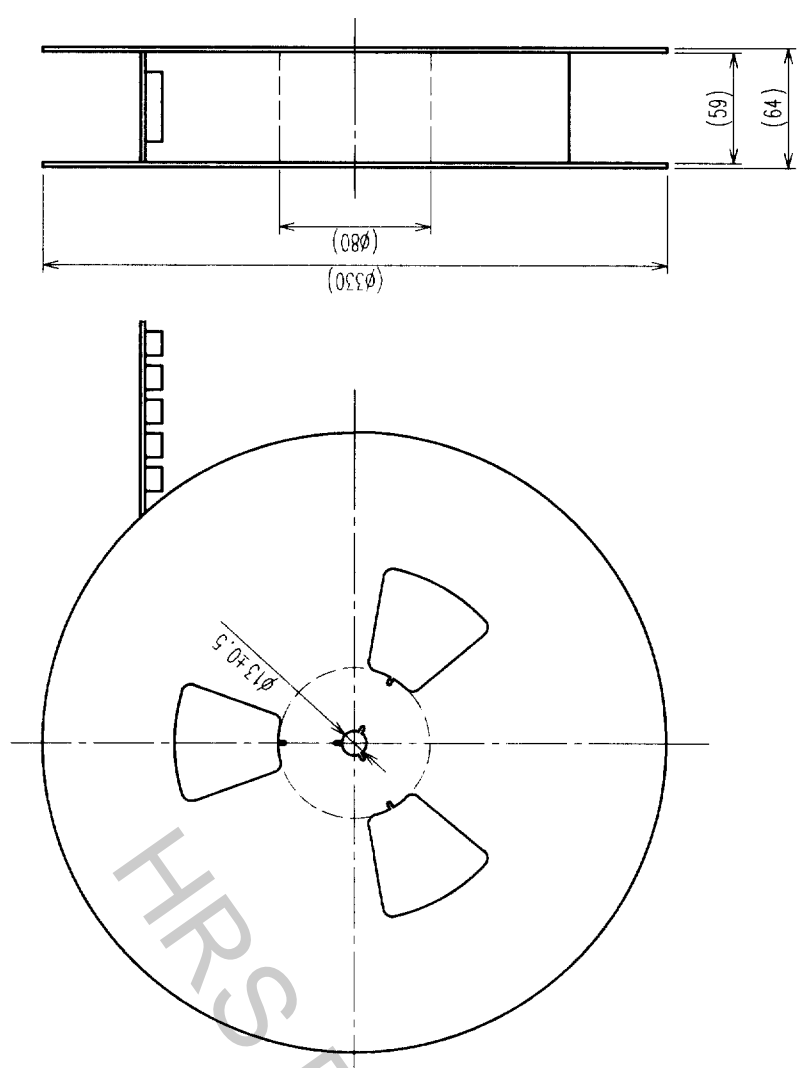
- NOTES
- SMT LEAD-COPLANARITY: 0.1 MAX.
 - THIS PRODUCT HAS NO POLARITY TO PATTERN FOR MOUNTING.
 - MAKE SURE WIDTH OF PATTERN IS WITHIN THAT OF LAND, OR LEAD MAY TOUCH PATTERN. (THIS APPLIES TO HATCHED AREA.)
 - DO NOT MOUNT OTHER DEVICES ONTO [] AREA, OR MATING PAIR CANNOT BE MATED.
 - TO BE EMBOSSED CARRIER TAPED AS SPECIFIED IN SHEET 2.

TO	
PCK	

COUNT	DESCRIPTION OF REVISIONS	BY	CHKD	DATE	COUNT	DESCRIPTION OF REVISIONS	BY	CHKD	DATE
△									
△									
△									

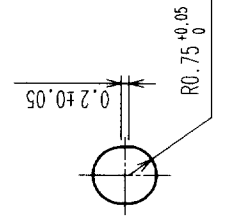


REELED DIMENSION (Free)

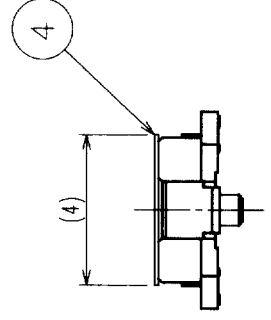


THE DIRECTION OF PULLING OUT

A (5 : 1)



DETAIL FOR VACUUM PICKUP (5 : 1)



- NOTES 1 1 REEL : 1000 CONNECTORS.
- 2 MINIMUM 10 COMPARTMENTS FROM BOTH REEL ENDS REMAIN EMPTY.
- 3 THIS PRODUCT HAS NO POLARITY TO TAPE AND REEL PACKAGING.

2	PET	TOP COVER TAPE	4	POLYIMIDE	(TAPE FOR VACUUM PICKUP)
1	PS	EMBOSSED CARRIER TAPE	3	(CONNECTOR)	
NO.	MATERIAL	FINISH, REMARKS	NO.	MATERIAL	FINISH, REMARKS
CODE NO. (OLD)	CL		DESIGNED	CHECKED	APPROVED
			DRAWN		RELEASED
DRAWING FOR PACKING		DRAWN: <i>M. Sakai</i> 99.10.27 CHECKED: <i>M. Sakai</i> 99.10.27 APPROVED: <i>J. Yoshimura</i> 99.10.28			
DRAWING NO. EDC3-152103-02		PART NO. FX11LA-140P-SV(22)			
SCALE 2 : 1		CODE NO. CL573-0045-0-22			
UNITS ITT		HIROSE ELECTRIC CO., LTD			

TO	
PCK	