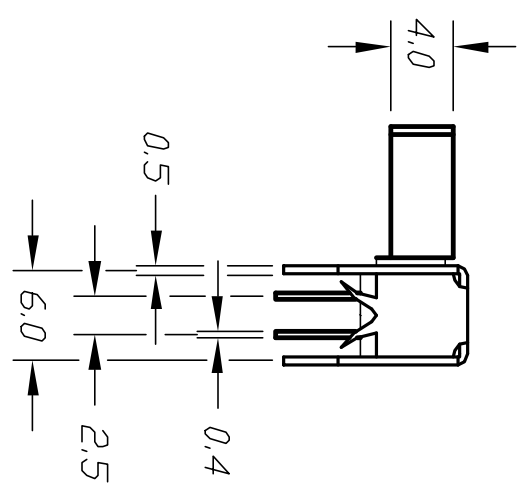
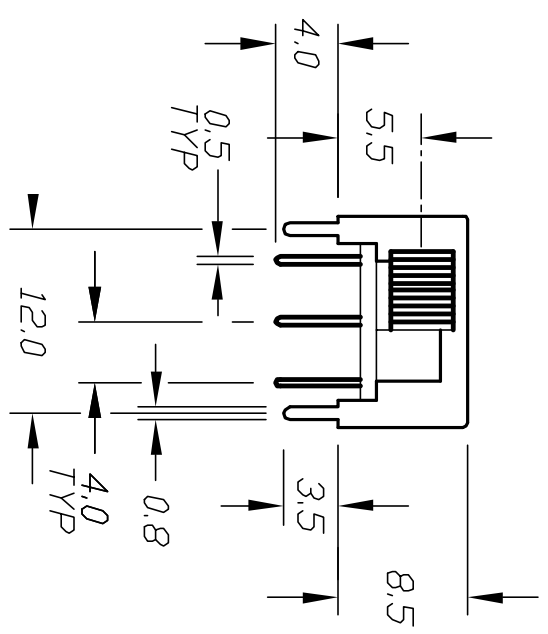


- NOTES:
1. ALL DIMENSIONS IN MM
 2. GENERAL TOLERANCE: X.X=±0.4
X.XX=±0.25
 3. RATINGS: 30V DC, 0.3A
 4. TIMING: NON-SHORTING
 5. TRAVEL: 4.00mm
 6. OPERATING FORCE: 250±100gf
 7. TERMINAL PC BOARD



E-SWITCH®

B		RELEASED		12/20/02		CJB		TITLE		EG 2229	
A		12648		12/20/02		CJB		SCALE		2:1	
REV.		ECN No.		DATE		CHKD		DATE		---	
		DESCRIPTION		DATE		CHKD		DR		---	
		THE INFORMATION CONTAINED IN THIS DOCUMENT IS PROPRIETARY TO E-SWITCH AND IS NOT TO BE COPIED OR TRANSFERRED		DATE		CHKD		DWG		P122290	
				DATE		CHKD		REV		A	