

DWG SIZE C	DATA CONTAINED IN THIS DOCUMENT IS PROPRIETARY TO TROMPETER ELECTRONICS, INC. AND SHALL NOT BE DISCLOSED, COPIED OR USED FOR PRODUCTION OR MANUFACTURE WITHOUT EXPRESS WRITTEN PERMISSION.	REVISIONS		3-0217	SH 1	
		REV	DESCRIPTION	OWN	APPROVE	DATE
		J	REVISED PER ECO 16421	L.M.	<i>[Signature]</i>	

DASH NO	CABLES ACCOMMODATED	A DIM	B DIM	C HEX	D FLATS	E OIA	F DIA MAX	CABLE ENTRY OIA	ASSEMBLE PER
-7	TRC-50-2 TRC-75-2	1.314	.096	.438	.500	.500	.593	.274	TAI-109
-8	B227 BELDEN	1.648	.130	.625	.688	.750	.775	.245	TAI-103
-9	TWC-78-2 TWC-124-2	1.314	.096	.438	.500	.500	.593	.285	TAI-102
-10	RG-22 754E W.E.CO.							.455	TAI-103
-11	760A W.E.CO.							.347	
-12	16 REVL W.E.CO. V1-AL GENERAL	1.648	.130	.625	.688	.750	.775	.485	TAI-128
-13	TRF-59 TIMES							.362	TAI-129
-13A	B232 BELDEN							.352	TAI-165
-14	B233 BELDEN							.490	TAI-129
-23	250-3884 MICRODOT							.183	TAI-189
-24	202-3934 MICRODOT							.191	TAI-102
-24A	9530AS117 RAYCHEM							.200	TAI-189
-25	T-43M GENERAL							.285	TAI-102
-25A	5021H5331 RAYCHEM							.191	TAI-189
-26	7028A551B RAYCHEM							.191	TAI-189
-27	T191PSJ2619EN WOVEN 202-3927 MICRODOT 202-3942 MICRODOT							.145	TAI-102
-29	TWC-78-1/TWC-124-1A	1.314	.096	.438	.500	.500	.593	.191	TAI-102
-30	761A W.E.CO. 8441 BELDEN							.235	
-32	TRC-50-1							.191	
-33	TRC-75-1							.217	
-42	21-204 ESSEX 4463 CONSOLIDATED							.300	TAI-189
-43	250-4044/250-4045 293-3930 MICRODOT							.200	
-45	M27500-22TE2T14 1100-66F STANDARD							.183	TAI-102
-46	9860 BELDEN	1.648	.130	.625	.688	.750	.775	.475	TAI-103
-47	M17/176-00002							.164	TAI-102
-49	TWC-78-1F2	1.314	.096	.438	.500	.500	.593	.132	TAI-102
-54	B9207 BELDEN	1.648	.130	.625	.688	.750	.775	.323	TAI-103
-55	B9272 BELDEN							.250	TAI-102
-56	GC875GC1, GRUMMAN							.191	TAI-189
-57	GC875GB1, GRUMMAN							.191	TAI-189
-58	GC875TM24H, GRUMMAN							.198	TAI-102
-59	GC875LN1, GRUMMAN	1.314	.096	.438	.500	.500	.593	.217	TAI-189
-60	M17/177 THERMATICS							.217	TAI-189
-64	7528A5314, RAYCHEM							.183	

FIG 1
- 9 SHOWN

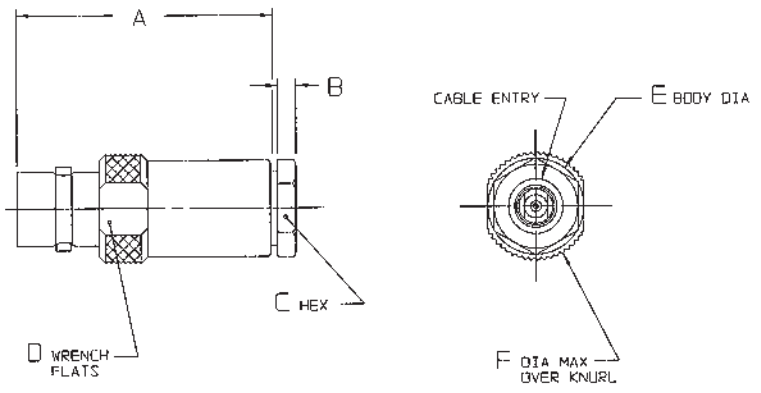
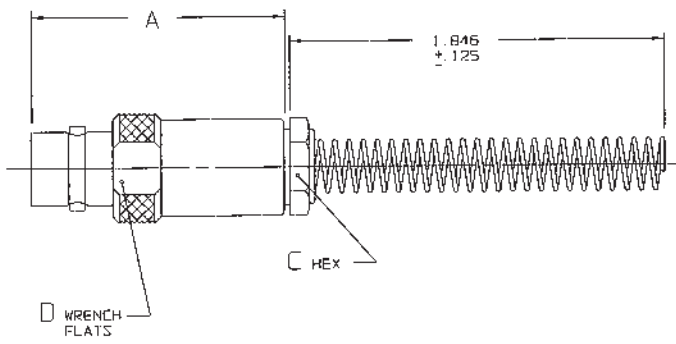


FIG 2
- 9 SHOWN



RED INDICATES ORIGINAL

FOR BEND RELIEF SPRING (FIG 2) ADD SUFFIX "BR" TO MODEL NO (NOT AVAILABLE WITH CABLE GROUPS -8, -10, -11, -12, -13, -14, -46 AND -54)

- 3. INTERFACE: TCS-BJ79
- 2. 2 LUG CONCENTRIC TWINAX/TRIAX TR8 CABLE RECEPTACLE
- 1. FINISH: TFS-1A (NICKEL)

QTY	DESCRIPTION	PART NUMBER	ITEM
TOL UNLESS SPECIFIED .XX ± .XXX ± .005 XXXX ± ANGLES		TROMPETER RF connectivity	
OWN	L.M. 7-25-07	MATERIAL	CODE IDENT
CHK	JC 8-24-07	14949	DRAWING NO.
ENGR			3-0217
APPR	Jm 8/24/07	SCALE 2/1	DATE 7/5/04
305-0515	NEXT ASSY		SHEET 1C