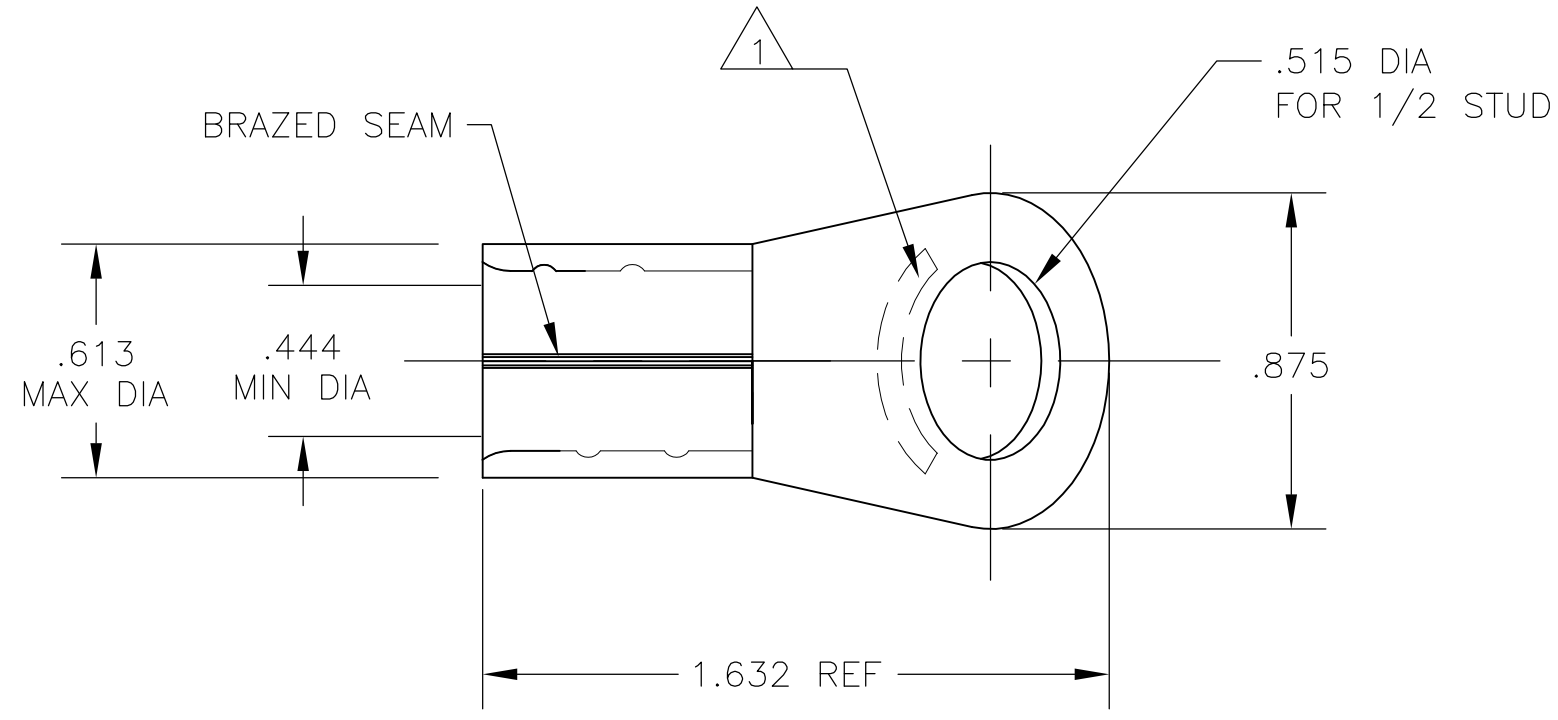


THIS DRAWING IS UNPUBLISHED. RELEASED FOR PUBLICATION
 © COPYRIGHT BY TYCO ELECTRONICS CORPORATION. ALL INTERNATIONAL RIGHTS RESERVED.

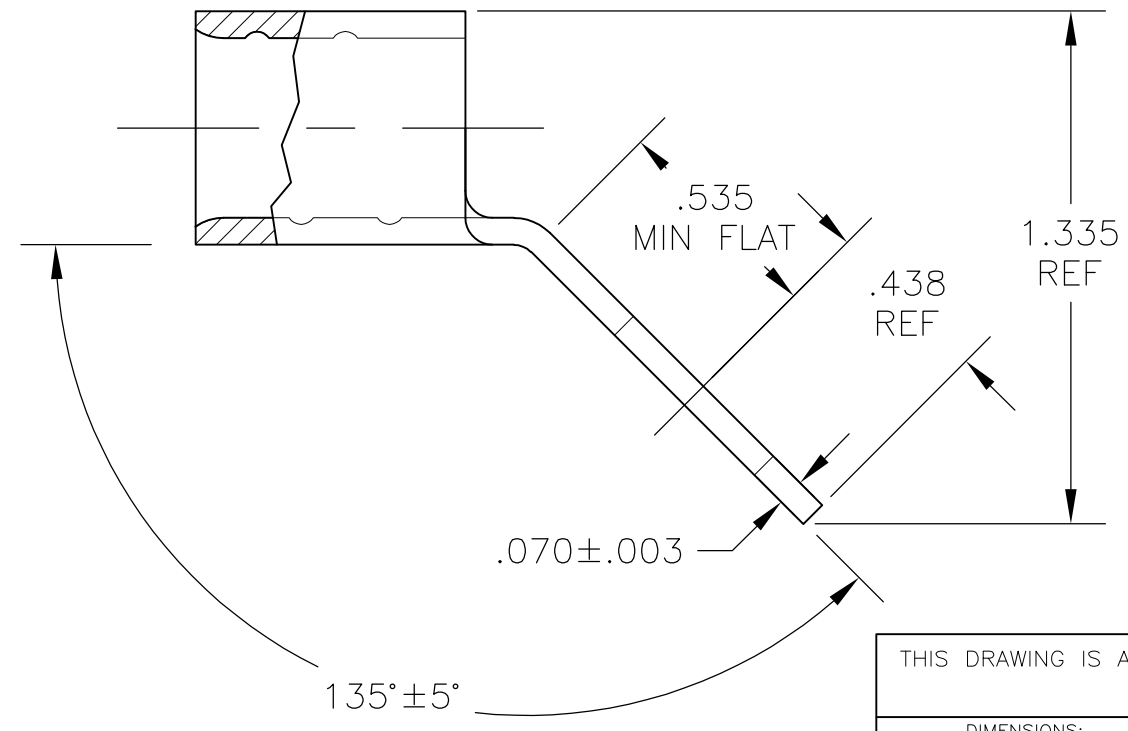
LOC	DIST	REVISIONS					
		P	LTR	DESCRIPTION	DATE	DWN	APVD
G	05		B1	REV PER ECR 10-016092	09AUG10	JR	TM

AMP
WIRE RANGE

1/0 AWG
STRANDED



- 1 STAMP AMP 1/0W* APPROX AS SHOWN
- 2 NICKEL PLATE .000300 MIN THK PER SAE-AMS-QQ-N-290.
- 3 MATERIAL, COPPER PER ASTM B-152, ANNEALED.



696759-1
PART NUMBER

THIS DRAWING IS A CONTROLLED DOCUMENT.		DWN jr_ruth 24SEPT09	Tyco Electronics Corporation Harrisburg, PA 17105-3608	
DIMENSIONS: INCHES		CHK TOM MICHIELUTTI 24SEPT09	NAME TERMINAL, RING TONGUE, STRATO-THERM, BENT 45	
TOLERANCES UNLESS OTHERWISE SPECIFIED:		APVD TOM MICHIELUTTI 24SEPT09	PRODUCT SPEC -	
MATERIAL - 3		FINISH - 2	APPLICATION SPEC -	RESTRICTED TO -
SIZE A3		CAGE CODE 00779	DRAWING NO G-696759	SCALE 2:1
CUSTOMER DRAWING		SHEET 1 OF 1		REV B1