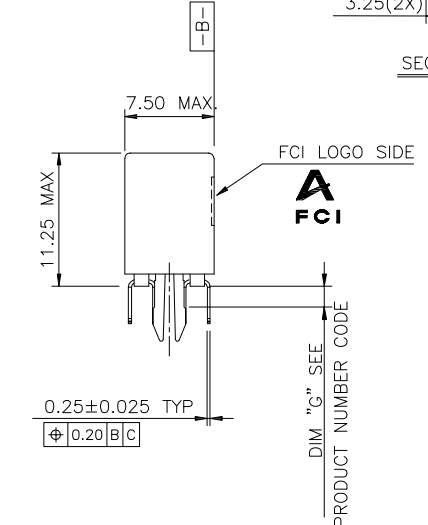
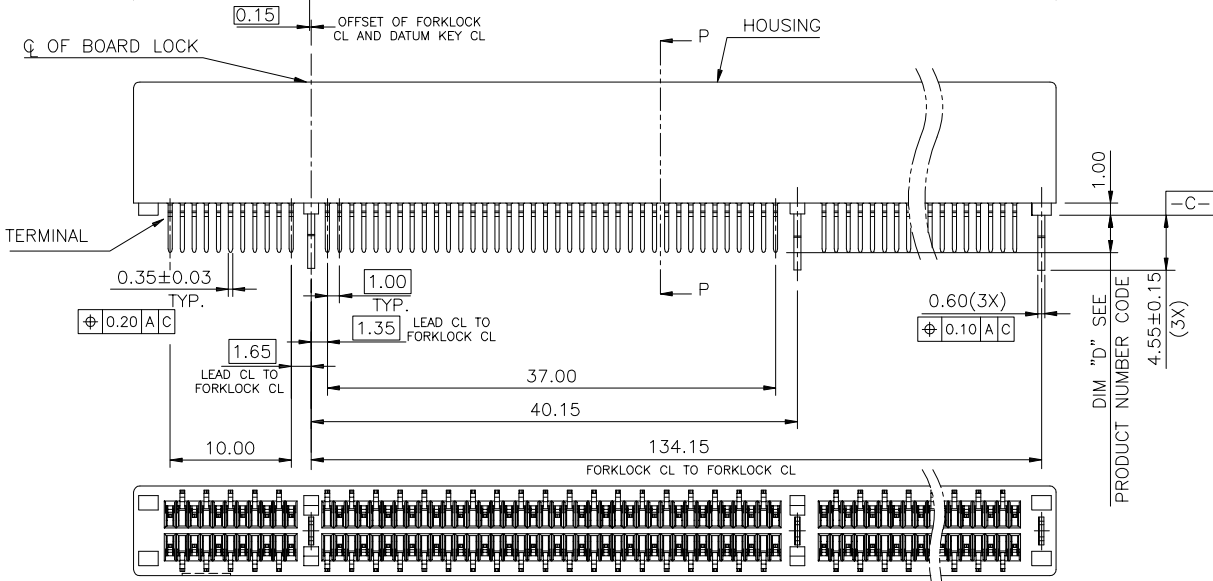
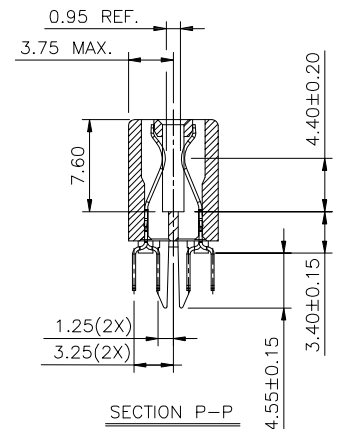
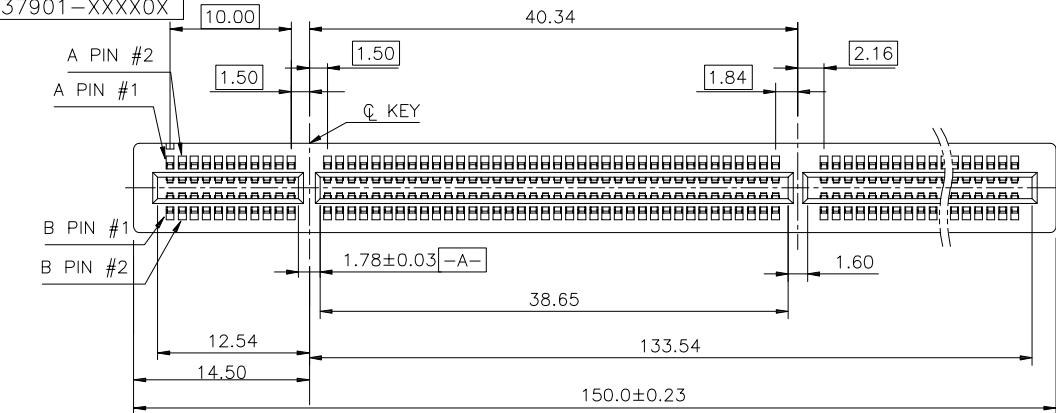


PRODUCT NO.
10037901-XXXX0X

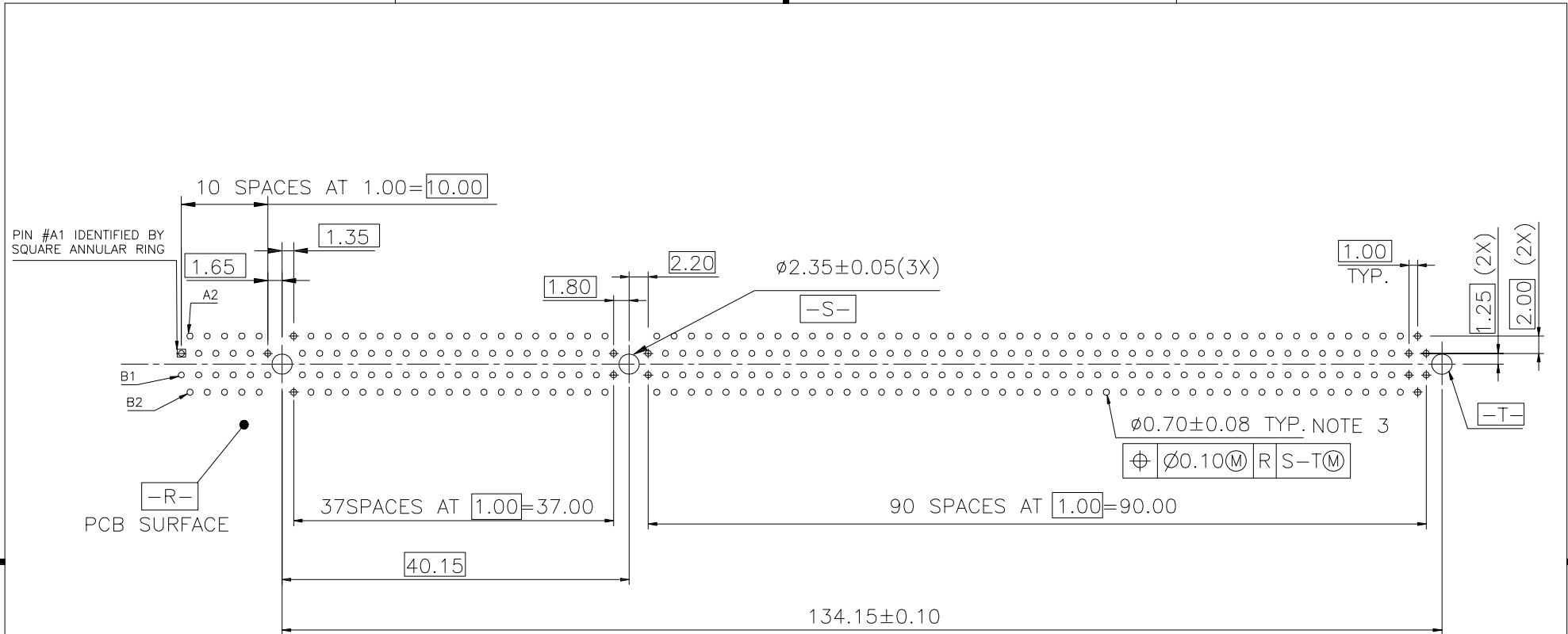


WITHOUT LATCHING TYPE

CONFIDENTIAL


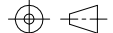
mat'l. code				tolerances unless otherwise specified			CUSTOMER COPY		 www.fciconnect.com	
ltr	ecn no	dr	date	linear	.X ± 0.30		projection	title		
A	T04-0383	M W	10/06/04		.XX ± 0.20			PCI EXPRESS SUPER SLOT GEN3		
B	T05-0012	M W	01/13/05		.XXX ± 0.10			CARD EDGE 280P ASS'Y		
C	T05-0210	M W	09/15/05	angles	0° ±2°		 MM scale 2:1	product family		code
D	ELX-00-2101-1	S T	05/27/15	dr	STONE LI	05/27/15		EDGE CARD		TWN
				enr	STONE LI	05/27/15		size dwg no		sheet
				chr	/	/	A4		10037901	
				appd	PM ZHENG	05/27/15	10037901		1 of 4	
sheet index	revision sheet	D 1	D 2	D 3	D 4		cage code			

cage code
22526



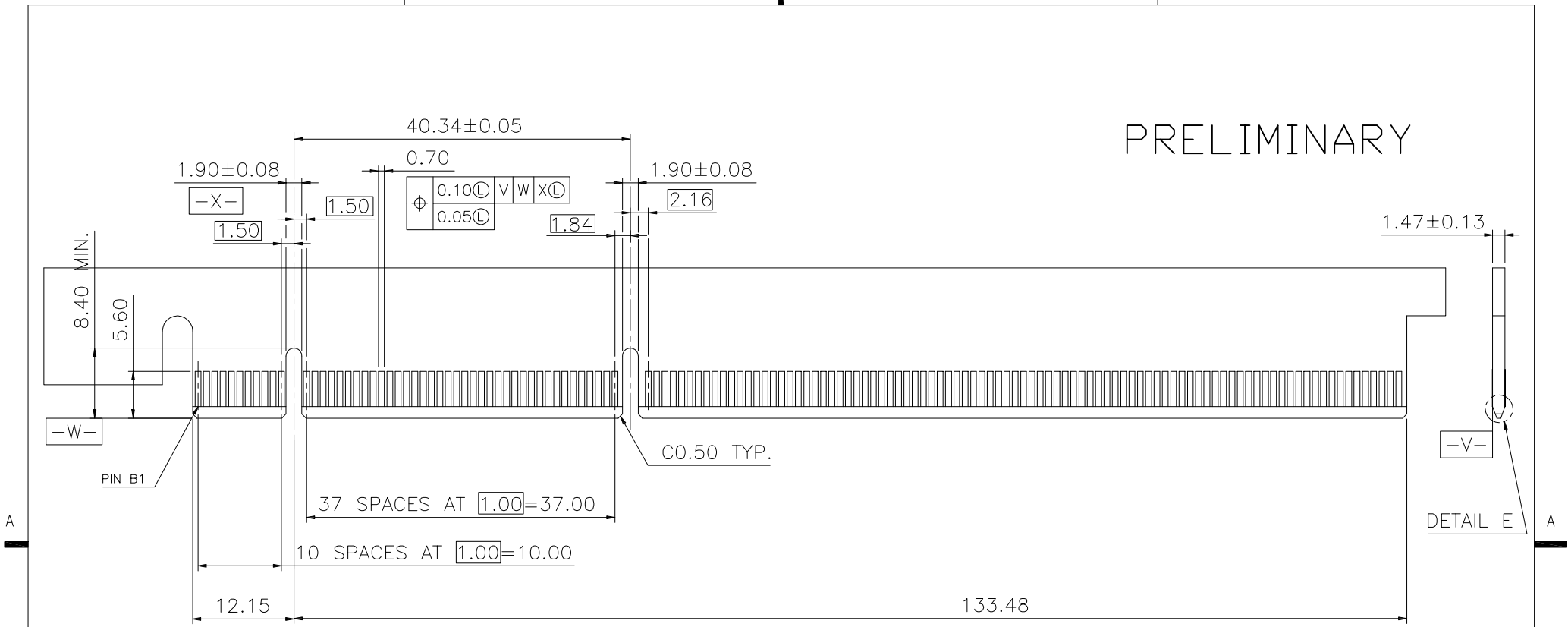
MOTHER BOARD FOOTPRINT PATTERN
CONNECTOR SIDE SHOWN

CONFIDENTIAL

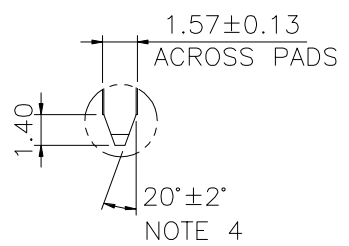
mat'l. code				tolerances unless otherwise specified		CUSTOMER COPY	 www.fciconnect.com		
ltr	ecn no	dr	date	linear	.X ±			projection	title PCI EXPRESS SUPER SLOT GEN3 CARD EDGE 280P ASS'Y
					.XX ±	 MM	product family	EDGE CARD	
				angles	.XXX ±		scale	size	dwg no
				dr	0° ±2°	1.5:1		A4	10037901
				enr					
				chr					
				appd					
sheet index		revision sheet							

cage code
22526

PRELIMINARY


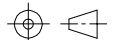



DAUGHTER CARD
PRIMARY (COMPONENT) SIDE



SCALE 2:1
DETAIL E

CONFIDENTIAL

mat'l. code				tolerances unless otherwise specified		CUSTOMER COPY	 www.fciconnect.com	
ltr	ecn no	dr	date	linear	angles			
				.X ±	0° ±2°		title PCI EXPRESS SUPER SLOT GEN3 CARD EDGE 280P ASS'Y 	
				.XX ±		MM	product family	EDGE CARD
				.XXX ±		scale	size	dwg no
				0° ±2°		1.5:1	A4	10037901
				dr	STONE LI	05/27/15		code
				enr	STONE LI	05/27/15		TWN
				chr	/	/		sheet
				appd	PM ZHENG	05/27/15		3 of 4
sheet index	revision sheet							

cage code
22526

NOTES:

1.MATERIAL:

HOUSING: HIGH TEMPERATURE NYLON, GLASS FILLED UL94V-0 RATED. SUITABLE FOR IR REFLOW.

TERMINAL: COPPER ALLOY

PLATING: 50u" NICKEL UNDERPLATE ALL OVER CONTACT AREA PLATING - SEE PRODUCT NUMBER CODE

SOLDER TAIL: TIN OR TIN/LEAD (90/10) - SEE PRODUCT NUMBER CODE 100u" MIN. OVER 50u" NICKEL

METAL BOARD LOCKS: COPPER ALLOY

FINISH: 100u" TIN OR TIN/LEAD (90/10) OVER 50u" NICKEL UNDERPLATE SEE PRODUCT NUMBER CODE

2.PRODUCT SPECIFICATION: GS-12-233

③THE HORIZONTAL AXIS FOR THE HOLE PATTERN IS ESTABLISHED BY

A LINE THROUGH THE CENTER OF THE TWO ø2.35 HOLES.

THE VERTICAL AXIS IS 90° TO THE HORIZONTAL AXIS, THROUGH THE CENTER OF DATUM Z.

④CHAMFER EDGES MUST BE FREE OF CUTTING BURRS.

5.RoHS COMPATIBLE PRODUCT SPECIFICATIONS

a - PLATING:

- "LF" MEANS THE PRODUCT IS LEAD-FREE, 2um MINIMUM MATTE TIN OVER 1.27um MINIMUM NICKEL UNDERPLATE.

b - MANUFACTURING PROCESS COMPATIBILITY

- THE HOUSING WILL WITHSTAND EXPOSURE TO 260°C±5°C SOLDER BATH TEMPERATURE FOR 5 SECONDS IN A REFLOW SOLDER APPLICATION WITH A 1.6mm MIN THICK CIRCUIT BOARD.

PRODUCT NUMBER CODE

10037901 -x x x x x □ □

HOUSING COLOR OPTIONS

1-BLACK

PEGS OPTIONS

1-METAL BOARD LOCKS

TERMINAL PLATING OPTIONS

- 0-50u" Ni UNDERPLATE
- 30u" Au CONTACT AREA
- 100u" TIN TAIL AREA ----- COMPATIBLE RoHS
- 1-50u" Ni UNDERPLATE
- 15u" Au CONTACT AREA
- 100u" TIN TAIL AREA ----- COMPATIBLE RoHS
- 2-50u" Ni UNDERPLATE
- GOLD FLASH CONTACT AREA
- 100u" TIN TAIL AREA ----- COMPATIBLE RoHS
- 3-50u" Ni UNDERPLATE
- 30u" Au CONTACT AREA
- 100u" TIN/LEAD TAIL AREA ----- INCOMPLIANT RoHS
- 4-50u" Ni UNDERPLATE
- 15u" Au CONTACT AREA
- 100u" TIN/LEAD TAIL AREA ----- INCOMPLIANT RoHS
- 5-50u" Ni UNDERPLATE
- GOLD FLASH CONTACT AREA
- 100u" TIN/LEAD TAIL AREA ----- INCOMPLIANT RoHS

LEAD FREE OPTION

LEAVE BLANK FOR TERMINAL PLATING 3,4,5

"LF" FOR TERMINAL PLATING OPTION 0,1,2

PACKAGING OPTIONS

T-TRAY PACKAGING

TAIL LENGTH OPTIONS

	DIM "D"	PCB THICKNESS	BOARD LOCKS DIM "G"
0	2.30 ±0.25 -0.13	1.56±0.10	1.70±0.15
1	3.10 ±0.25 -0.13	2.36±0.10	2.50±0.15
2	2.54±0.25	1.56±0.10	1.70±0.15

CONFIDENTIAL



title PCI EXPRESS SUPER SLOT GEN3 CARD EDGE 280P ASS'Y

product family EDGE CARD code TWN

size dwg no A4 10037901 sheet 4 of 4

mat'l. code				tolerances unless otherwise specified		CUSTOMER COPY	projection	scale
ltr	ecn no	dr	date	linear	angles			
				.X ±	0° ±2°		MM	1:1
				.XX ±				
				.XXX ±				
				dr	STONE LI	05/27/15		
				enr	STONE LI	05/27/15		
				chr	/	/		
				appd	PM ZHENG	05/27/15		
sheet index	revision sheet							

cage code 22526