

5

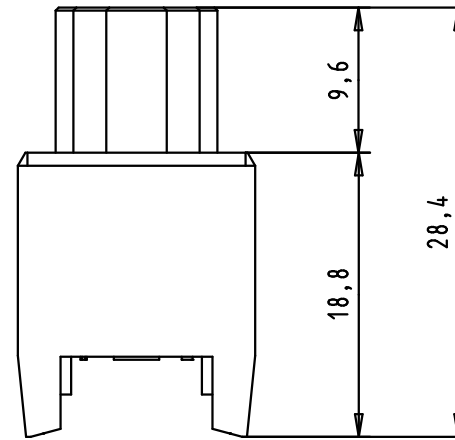
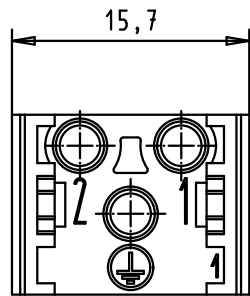
4

3

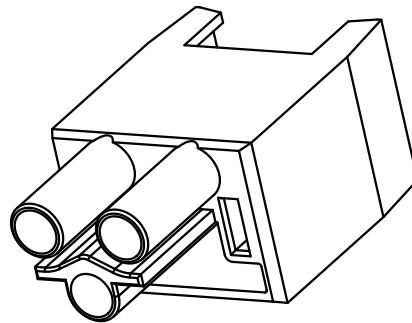
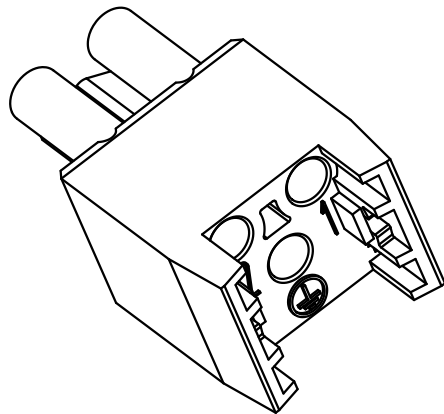
2

1

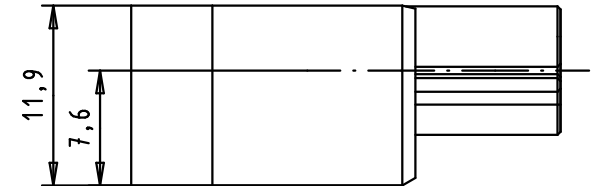
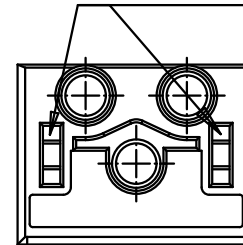
D



C



Slot for coding pin
0946 840 0000



B

A

Usable with HARTING PushPull (V4) receptacle housings (please order separately):

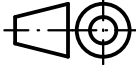

09455950031; 09455450021; 09455450029; 09455450031

Usable crimp contacts (please order separately)

-3x male crimp contacts 09 46 500 0403 0.75mm² (AWG 20-18)

-3x male crimp contacts 09 46 500 0401 1.5mm² (AWG 16-14)

-3x male crimp contacts 09 46 500 0405 2.5mm² (AWG 12)

 All Dimensions in mm Original Size DIN A 4			Techn. Character.			Nicht tolerierte Maßel Free size tolerances	
			Detail.	Dat. 29/02/12	Name SD	2 : 1	HARTING PushPull (V4) 250V/16A 3-poles Device side insulation body W/O crimp contacts
			Insp.	Dat. 29/02/12	Name JB		
			Stand.				
362920	29/02/12	SD	HARTING EURL F-95972 Paris				TB 09 46 500 3401
Mod.	Dat.	Name					
						Sub.	