

Housing screw connection - SACC-M12 PLUG PRESS - 1437892

Please be informed that the data shown in this PDF Document is generated from our Online Catalog. Please find the complete data in the user's documentation. Our General Terms of Use for Downloads are valid (<http://phoenixcontact.com/download>)



M12 pin, housing screw connection, press-in version, for all Speedcon-compatible THR and wave soldering contact carriers

Why buy this product

- Easy device integration, thanks to mechanical port screw connections with press-in contour
- Flexible PCB assembly: two-piece connectors for wave and THR soldering



Key Commercial Data

Packing unit	10 STK
GTIN	
GTIN	4046356457569

Technical data

Ambient conditions

Ambient temperature (operation)	-25 °C ... 85 °C (Plug / socket)
	-40 °C ... 85 °C (without mechanical actuation)
Degree of protection	IP67 (correctly plugged in and locked)

General

Mounting type	M12 x 1
---------------	---------

Material

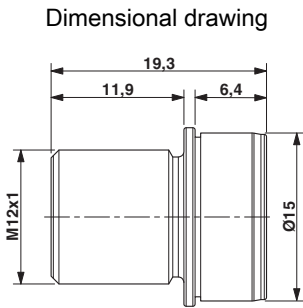
Material	CuZn (nickel-plated)
----------	----------------------

Environmental Product Compliance

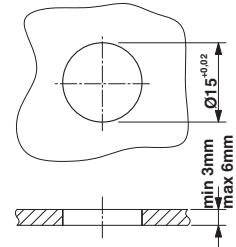
REACH SVHC	Lead 7439-92-1
China RoHS	Environmentally Friendly Use Period = 50
	For details about hazardous substances go to tab "Downloads", Category "Manufacturer's declaration"

Housing screw connection - SACC-M12 PLUG PRESS - 1437892

Drawings

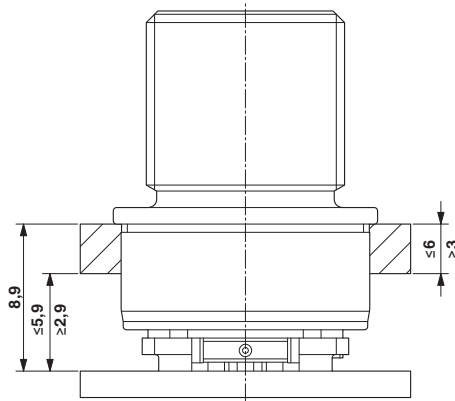


Dimensional drawing



Housing bore holes

Dimensional drawing



Approvals

Approvals

Approvals

EAC

Ex Approvals

Approval details

EAC



B.01742

Phoenix Contact 2018 © - all rights reserved
<http://www.phoenixcontact.com>

PHOENIX CONTACT GmbH & Co. KG
Flachsmarktstr. 8
32825 Blomberg
Germany
Tel. +49 5235 300
Fax +49 5235 3 41200
<http://www.phoenixcontact.com>