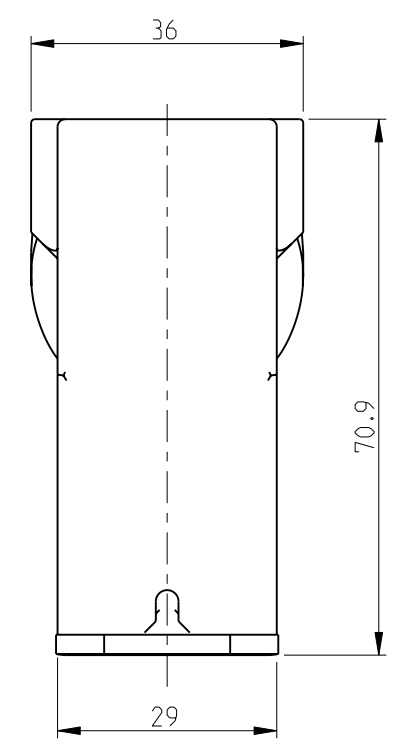
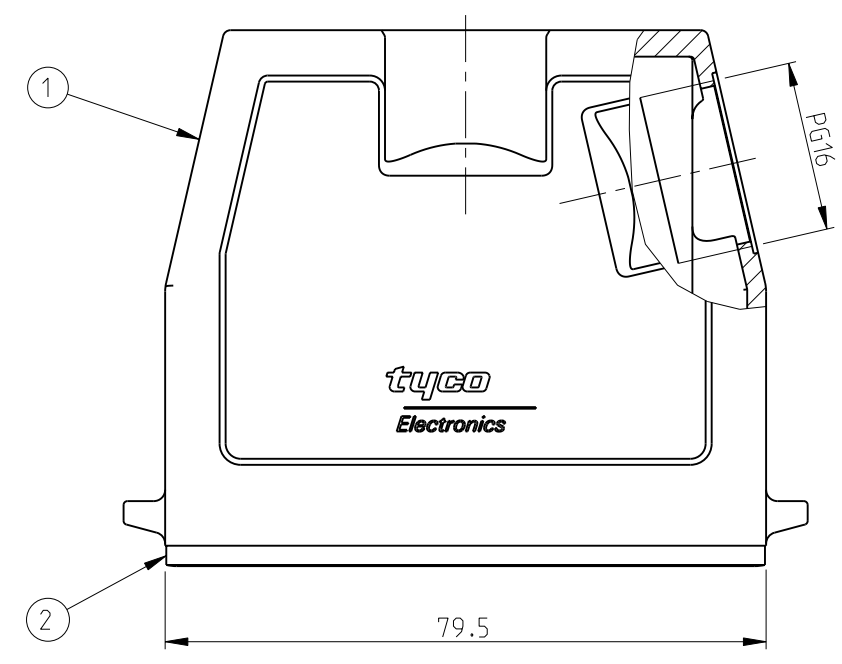


THIS DRAWING IS UNPUBLISHED. RELEASED FOR PUBLICATION 2000
 © COPYRIGHT 2000 BY TYCO ELECTRONICS CORPORATION. ALL RIGHTS RESERVED.

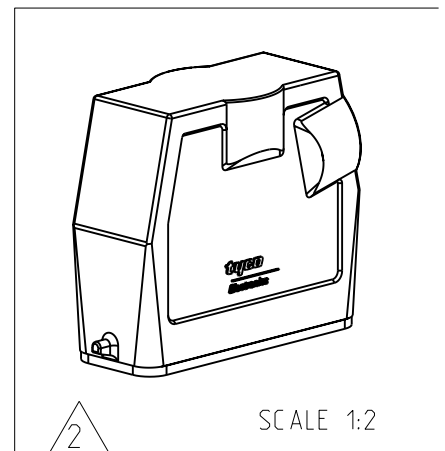
LOC	DIST	REVISIONS			
P	LTR	DESCRIPTION	DATE	DWN	APVD
A1	-	B2	RELEASED AS PER ECR-09-005170	05.MAR.2009	GG TS

NOTES:

- 1 MATERIAL: SEE TABLE
- 2 COLOR: SEE TABLE
- 3 VARNISH ON THE INSIDE NOT NECESSARY
- 4 PACKAGING QUANTITY: 5 PIECES PER BOX



PN 1-7 AS SHOWN



1-7	DESCRIPTION	MATERIAL	COLOR	ITEM NO.	REMARKS
1	PROFILE SEAL	NEOPRENE	BLACK	2	
1	HOOD HD.25-PG THREADS	ALUMINIUM	GREY	1	
ORDERING TEXT HD25.STS.1.16.G					

THIS DRAWING IS A CONTROLLED DOCUMENT FOR TYCO ELECTRONICS CORPORATION
 IT IS SUBJECT TO CHANGE AND THE CONTROLLING ENGINEERING ORGANIZATION
 SHOULD BE CONTACTED FOR THE LATEST REVISION.

DIMENSIONS: mm		TOLERANCES UNLESS OTHERWISE SPECIFIED: n.ISO 8015: n.ISO 2768-mH-E: n.DIN 16901-120	
	0 PLC ±	1 PLC ±	2 PLC ±
	3 PLC ±	4 PLC ±	ANGLES ±
MATERIAL 1	FINISH 2		

DWN S.KUMAR 4/20/2006	Tyco Electronics,AMP.GmbH 53757,SanktAugustin,Germany		
CHK P.BENNUR 4/20/2006	NAME HOOD HD25.STS.1.16.G		
APVD T.SCHNURPFEL 4/20/2006	PRODUCT SPEC 108-74009		
APPLICATION SPEC 114-74001	SIZE A3	CAGE CODE 00779	DRAWING NO C-1102530
WEIGHT -	CUSTOMER DRAWING		RESTRICTED TO -
SCALE 1:1		SHEET 1 OF 1	REV B2