

注) NOTES

1. 材質 MATERIAL  
 ハウジング : ガラス入りPPS、茶色、UL94V-0  
 HOUSING: G.F.PPS, BROWN, UL94V-0  
 ターミナル : 銅合金 (t=0.2)  
 TERMINAL: COPPER ALLOY

2. メッキ仕様 PLATING  
 接点部 : 金メッキ 0.25 µm MIN.  
 CONTACT AREA: GOLD 0.25 µm MIN.  
 半田付け部 : 錫メッキ 1.0 µm MIN.  
 SOLDER TAIL AREA: TIN 1.0 µm MIN.  
 下地メッキ : ニッケルメッキ 1.5 µm MIN.  
 UNDER-PLATING: NICKEL 1.5 µm MIN.

7 mm	52760-***0
基板間寸法 STACKING HEIGHT	嵌合相手 TO BE MATED WITH

3. テールのバラツキ寸法 TAIL COPLANARITY  
 テール平坦度は 0.1 MAX. とする。  
 TAIL COPLANARITY TO BE 0.1 MAX.

4. エンボス対応済みの極数については、SD-53481-002を参照下さい。  
 FOR THE EMBOSSED PACKAGE PRODUCTS, SEE SD-53481-002.

5. 本製品は53481-\*\*\*7の鉛フリー品である。  
 THIS PRODUCT IS LEAD FREE OF 53481-\*\*\*7.

無し NO	34.72	38.62	33.62	31.15	53481-1068	53481-1067	100
有り YES	22.02	25.92	20.92	18.415	53481-0668	53481-0667	60
	18.85	22.75	17.75	15.24	53481-0568	53481-0567	50
	15.67	19.57	14.57	12.065	53481-0468	53481-0467	40

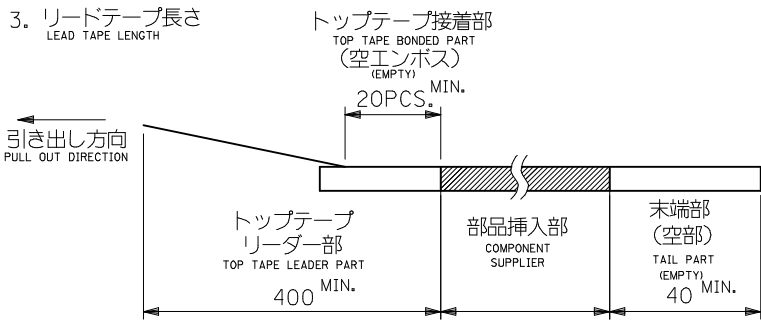
REVISED EC NO: J2009-0643 DRWN: MAKURAA 2008/11/26 CHKD: T. HARUYAMA 2008/11/26 APPR: NUKITA 2009/01/08	DESCRIPTION REV	GENERAL TOLERANCES (UNLESS SPECIFIED)		DIMENSION STYLE MM ONLY		SCALE 4:1		DESIGN UNITS METRIC		THIRD ANGLE PROJECTION	
		10 UNDER	±0.2	DRAWN BY H. KAWABATA		DATE '04/3/8		TITLE 0.635 PITCH B-T0-B S/T PLUG HSG ASSY -LEAD FREE-			
		10 OVER 30 UNDER	±0.25	CHECKED BY K. TOJO		DATE '04/3/8					
		30 OVER	±0.3	APPROVED BY M. SASAO		DATE '04/3/8					
		ANGULAR ±3 °		DRAFT WHERE APPLICABLE MUST REMAIN WITHIN DIMENSIONS		MATERIAL NO. SEE TABLE		DOCUMENT NO. SD-53481-001		SHEET NO. 1 OF 1	
SIZE A3		THIS DRAWING CONTAINS INFORMATION THAT IS PROPRIETARY TO MOLEX INCORPORATED AND SHOULD NOT BE USED WITHOUT WRITTEN PERMISSION									

注) NOTES

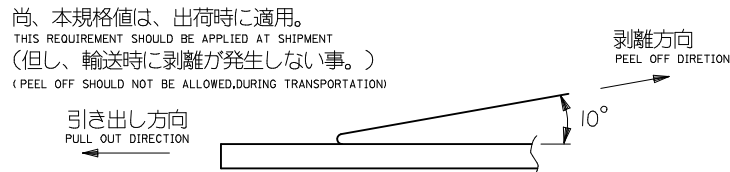
1. 製品番号 53481-\*\*\*67 の詳細寸法については、SD-53481-001 を参照下さい。  
 IN THE PACKAGE , PART NO.53481-\*\*\*67 DETAILED DIMENSIONS , SEE SD-53481-001.

2. 梱包数量 : NUMBER OF CONNECTORS :

CIRCUITS	NUMBER
OTHERS	1000 PCS/REEL
240	800 PCS/REEL

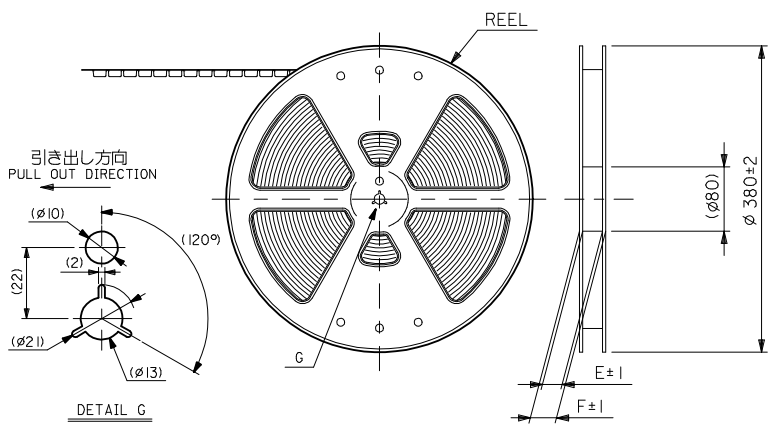


4. トップテープの剥離強度 (剥離方向は下図参照)  
 PEELING OFF FORCE OF TOP TAPE (PEELING DIRECTION AS SHOWN IN FOLLOWING FIG.)  
 0.1~1. 3N {10~130gf} : キャリアテープ幅 24mm~104mm  
 0.1~1.3N {10~130gf} : キャリアテープ幅 24mm~104mm

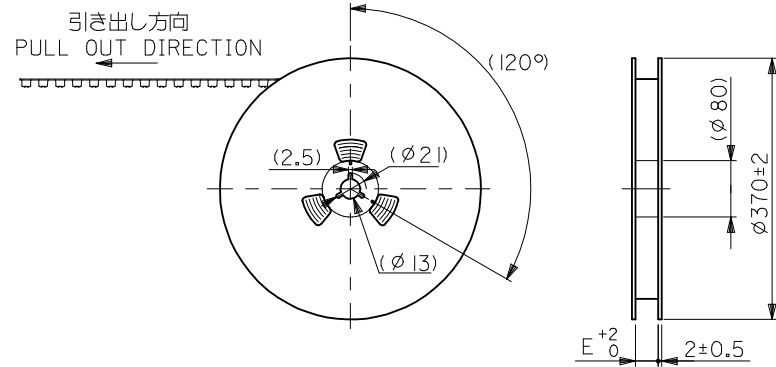


5. 材料 MATERIAL  
 キャリアテープ : ポリプロピレン (PP)  
 CARRIER TAPE : POLYPROPYLENE (PP)  
 トップテープ : PET, PE, PEF  
 TOP TAPE : PET, PE, PEF  
 リール : キャリアテープ幅 24mm~56mm : ポリスチレン  
 REEL : CARRIER TAPE WIDTH 24mm-56mm : POLYSTYRENE  
 キャリアテープ幅 72mm~104mm : 紙  
 CARRIER TAPE WIDTH 72mm-104mm : CARD BOARD

6. 本製品は53481-\*\*\*8の鉛フリー品である。  
 THIS PRODUCT IS LEAD FREE OF 53481-\*\*\*8.

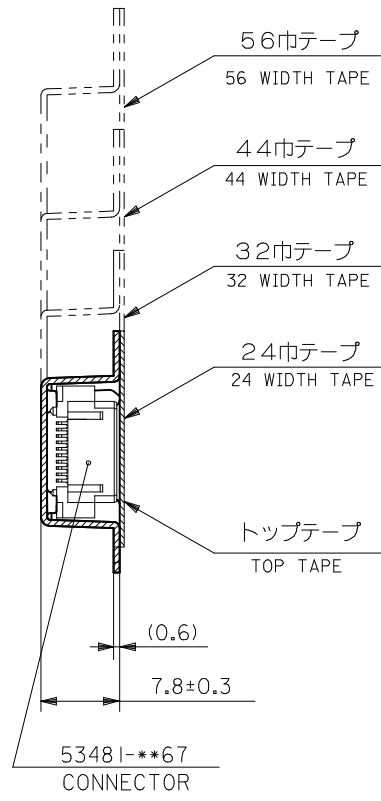
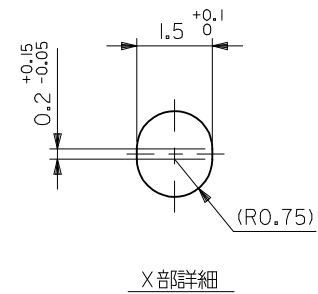
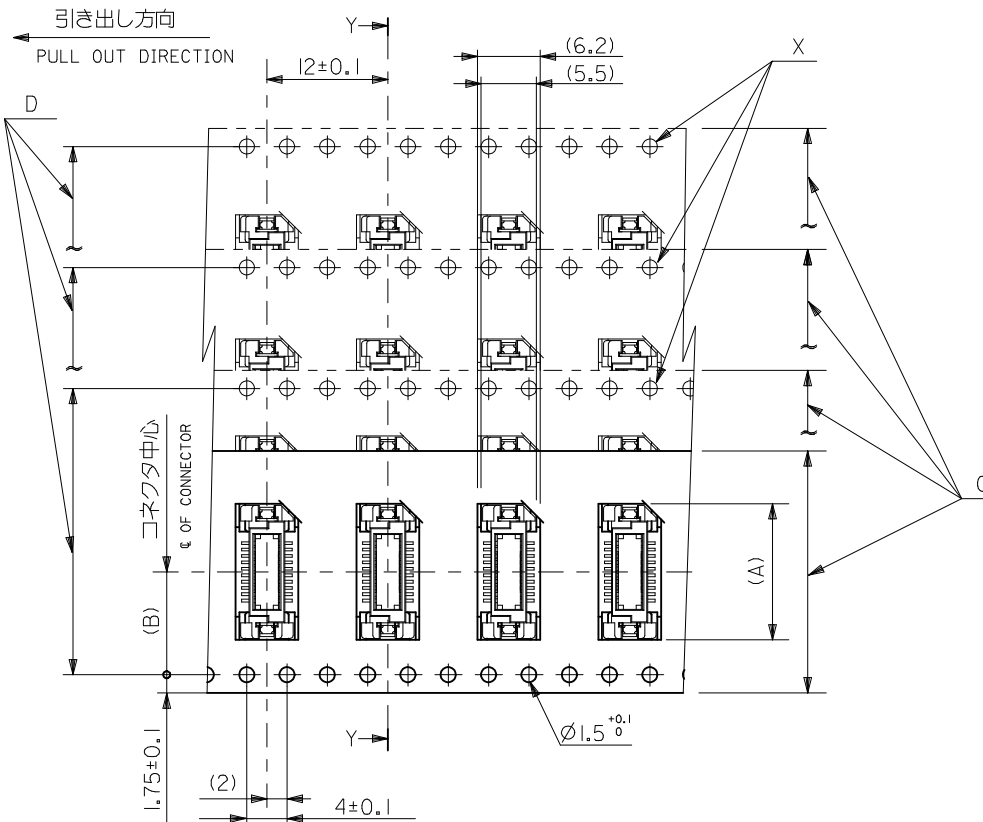


キャリアテープ幅 : 24mm~56mm  
 CARRIER TAPE WIDTH : 24mm-56mm



キャリアテープ幅 : 72mm~104mm  
 CARRIER TAPE WIDTH : 72mm-104mm

REVISED EC NO: J2009-0643 DRWN: KAKURAA 2008/11/26 CHKD: T. HARIYAMA 2008/11/26 APPR: NUKITA 2009/01/08	DESCRIPTION A	GENERAL TOLERANCES (UNLESS SPECIFIED)		DIMENSION STYLE MM ONLY		SCALE ---	DESIGN UNITS METRIC	THIRD ANGLE PROJECTION	
		10 UNDER	± ---	DRAWN BY H. KAWABATA	DATE '04/03/08	TITLE 53481-***87 TAPING PACKAGE -LEAD FREE-			
		10 OVER 30 UNDER	± ---	CHECKED BY K. TOJO	DATE '04/03/08	MOLEX INCORPORATED			
		30 OVER	± ---	APPROVED BY M. SASAO	DATE '04/03/08	DOCUMENT NO. SD-53481-002			
ANGULAR ± --- °		DRAFT WHERE APPLICABLE MUST REMAIN WITHIN DIMENSIONS		MATERIAL NO. SEE TABLE		SHEET NO. 1 OF 2		SHEET NO. 1 OF 2	
THIS DRAWING CONTAINS INFORMATION THAT IS PROPRIETARY TO MOLEX INCORPORATED AND SHOULD NOT BE USED WITHOUT WRITTEN PERMISSION									



断面 Y-Y  
SECTION Y-Y

累積ピッチ : 40±0.2  
ACCUMULATIVE PITCH : 40±0.2

61.4	57.4	52.4	56 <sup>+0.3</sup>	26.2	38.9	53481-1068	100
49.4	45.4	40.4	44 <sup>+0.3</sup>	20.2	26.2	53481-0668	60
37.4	33.4	28.4	32 <sup>+0.3</sup>	14.2	23.1	53481-0568	50
F	E	D	C キャリアテープ幅 CARRIER TAPE WIDTH	(B)	(A)	MATERIAL NO.	極数 NO. OF CTS.
						MODEL NO.	53481-**68

REVISED EC NO: J2009-0643 DRWN: MAKURAA 2008/11/26 CHKD: T. HARUYAMA 2008/11/26 APPR: NUKITA 2009/01/08	GENERAL TOLERANCES (UNLESS SPECIFIED)		DIMENSION STYLE MM ONLY	SCALE ---	DESIGN UNITS METRIC	THIRD ANGLE PROJECTION	
	10 UNDER	± ---	DRAWN BY H. KAWABATA	DATE '04/03/08	TITLE 53481-**87 TAPING PACKAGE -LEAD FREE-		
	10 OVER 30 UNDER	± ---	CHECKED BY K. TOJO	DATE '04/03/08	MOLEX INCORPORATED		
	30 OVER	± ---	APPROVED BY M. SASAO	DATE '04/03/08	DOCUMENT NO. SD-53481-002	SHEET NO. 2 OF 2	
ANGULAR ± --- °		DRAFT WHERE APPLICABLE MUST REMAIN WITHIN DIMENSIONS		SEE TABLE			
SIZE A3				THIS DRAWING CONTAINS INFORMATION THAT IS PROPRIETARY TO MOLEX INCORPORATED AND SHOULD NOT BE USED WITHOUT WRITTEN PERMISSION			