

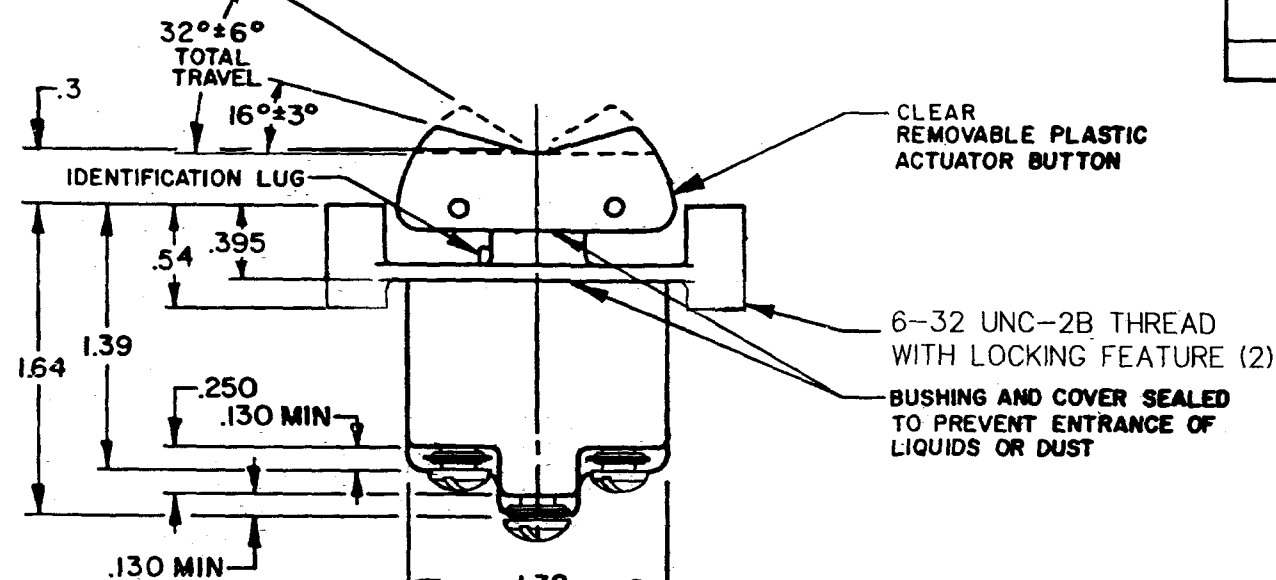
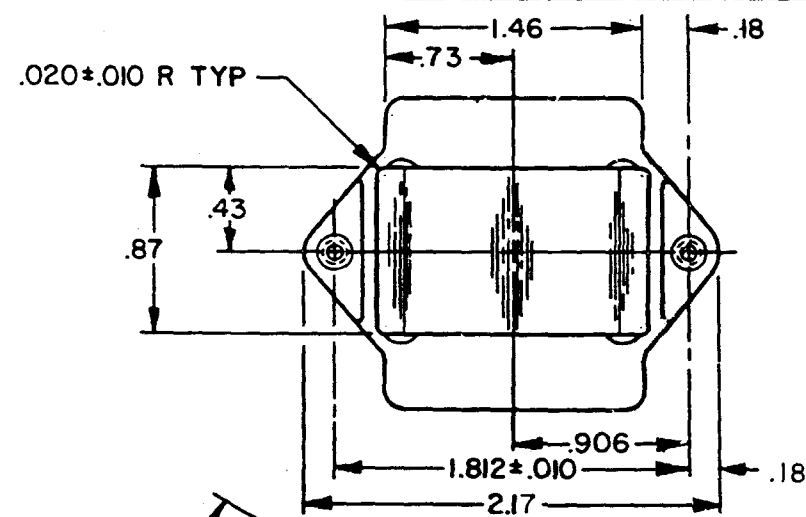
**MICRO SWITCH**  
 FREEPORT ILLINOIS U.S.A.  
 A DIVISION OF HONEYWELL  
 FED. MFG. CODE 91928

**SWITCH-TOGGLE  
 FLUSH KEY**

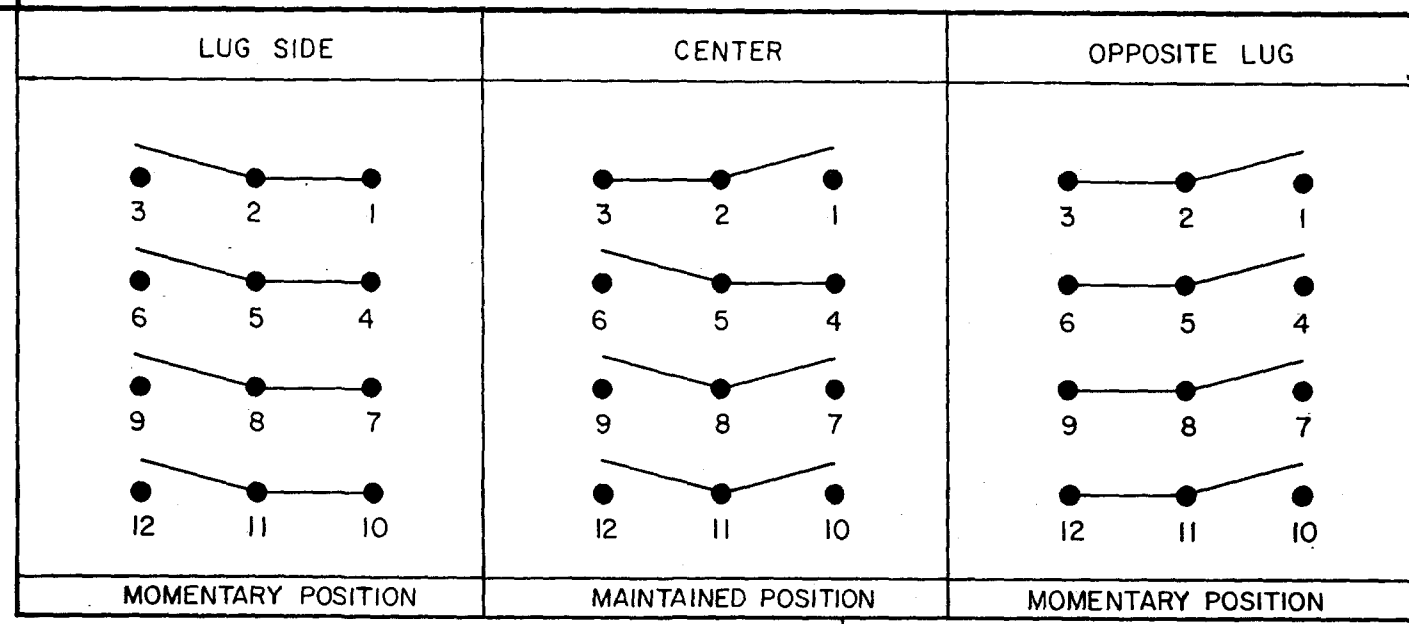
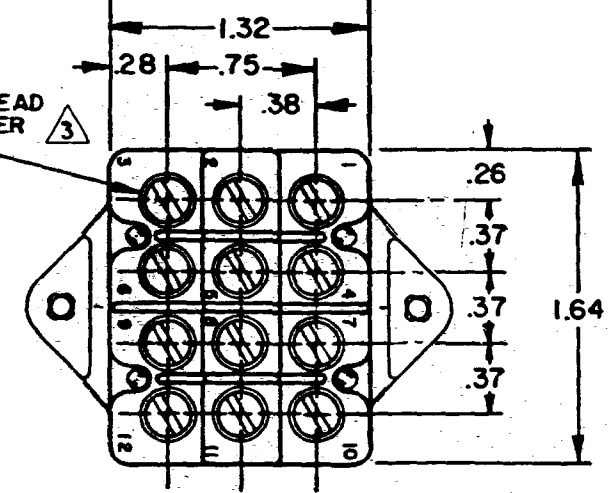
CATALOG LISTING  
**4TP12-70**

THIS DRAWING COVERS A PROPRIETARY ITEM AND IS THE PROPERTY OF MICRO SWITCH A DIVISION OF HONEYWELL. THIS DRAWING IS NOT TO BE COPIED OR USED WITHOUT THE APPROVAL OF MICRO SWITCH.

CIRCUIT MADE WITH ROCKER DEPRESSED ON



6-32 UNC X .260 REF BINDING HEAD  
 TERMINAL SCREW AND LOCKWASHER  
 (SEMS) ONE PER TERMINAL



**ELECTRICAL DATA**

L192 10A 125, 250, 277 VAC  
 1/4HP 125 VAC,  
 1/2HP 250, 277 VAC  
 3A 125 VAC "L"

DRAWING NUMBER: 4TP12-70  
 PAGE 1 OF 1  
 RELEASE NO. PR-5615  
 REPLACES: M  
 ISSUE: 10  
 CHECK: M  
 REVISIONS:  
 A CO 45979 30 APR 79  
 B CO47320 4 MAR 80  
 C CO49167 16 JUL 81  
 D CO49991 11 AUG 81  
 E CO56164 6 MAR 85  
 F CO60064 22 AUG 86  
 G CO77697 15 JUN 94  
 H CO79047 11 JAN 95  
 J CO94416 29 NOV 99  
 DRAWN: J A L 2 MAR 76  
 CHECK: J A L 2 MAR 76  
 FORMTEK FD-32854-B

THIRD ANGLE PROJECTION

SCALE FULL

DO NOT SCALE PRINT

TOLERANCES  
 APPLY TO DESIGN UNITS. CONVERSIONS ARE ONLY FOR REFERENCE. UNLESS NOTED, TOLERANCES ARE:

Dim.	TOL.	Dim.	TOL.
in	mm/in	in	mm/in
NO PLACES	X	1/64	0.015
ONE PLACE	XX	0.001/0.018	0.01/0.11
TWO PLACES	XXX	0.0001/0.002	0.001/0.11
THREE PLACES	XXXX	0.00001/0.0002	0.0001/0.011

DESIGN UNITS:  METRIC  US CUSTOMARY

RAW MATERIAL - COMMERCIAL STANDARD  
 MICRO SWITCH STANDARDS APPLY  
 DIMENSIONS ARE TO BE NET BEFORE  
 PROTECTIVE COATINGS ARE APPLIED

WEIGHT .22 LB EST

- NOTES**
- 1 - MICRO SWITCH CATALOG LISTING MARKED ON SIDE OF SWITCH
  - 2 - THESE SWITCHES WILL WITHSTAND TEMPERATURE OF 160°F
  - 3 - SCREWS FURNISHED UNASSEMBLED