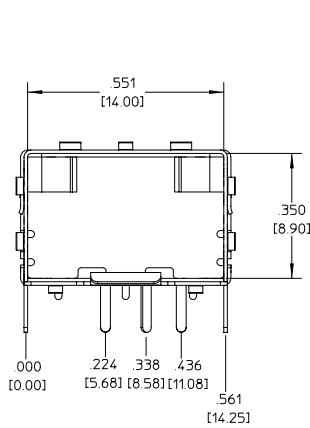
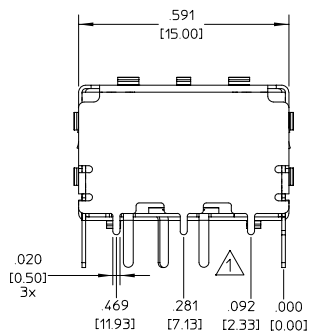


- 1 Material full-hard, tin plated brass or braonze .010" thick.
- 2 Accepts Molex 74720 series active transceivers, 73929 series passive patch cables, and 73930 series active patch cables.

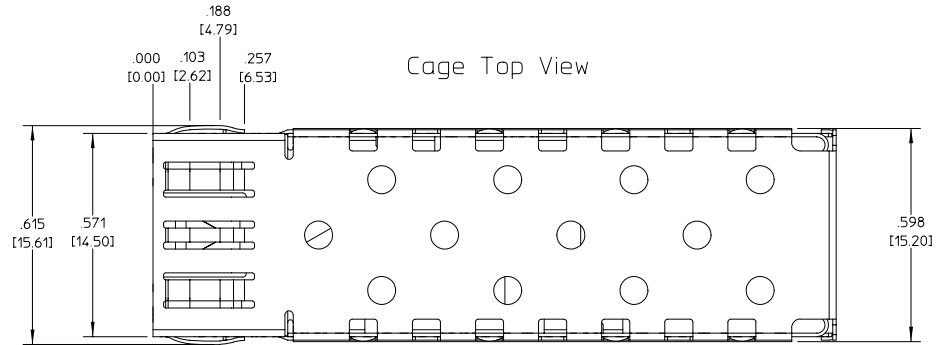
EC NO: UDT2002-0278 DRWN: DIRKERS 2001/08/16 CHKD: DIRKERS 2001/08/17 APPR: BRUSSELL 2001/08/20	QUALITY SYMBOLS	GENERAL TOLERANCES (UNLESS SPECIFIED)		SCALE 3:1	DESIGN UNITS METRIC	THIRD ANGLE PROJECTION	REVISE ON CAD ONLY	
	▼ = 0 ▽ = 0	4 PLACES ± --- ± ---	DIMENSION STYLE IN/MM		DRAWN BY DATE		TITLE	
		3 PLACES ± --- ± .002	DIRKERS 2001/08/14		SFP CAGE ASSEMBLY WITH ELEVEN .133 SOLDER POST LEGS FOR WAVE SOLDER			
		2 PLACES ± --- ± ---	CHECKED BY DATE		MATERIAL NO DOCUMENT NO SHEET NO			
	1 PLACE ± 0.05 ± ---	DIRKERS 2001/08/14		APPROVED BY DATE		73927-0010 SD-73927-010 1 OF 7		
	ANGULAR ± 1/2°	DRAFT WHERE APPLICABLE MUST REMAIN WITHIN DIMENSIONS		THIS DRAWING CONTAINS INFORMATION THAT IS PROPRIETARY TO MOLEX INCORPORATED AND SHOULD NOT BE USED WITHOUT WRITTEN PERMISSION				



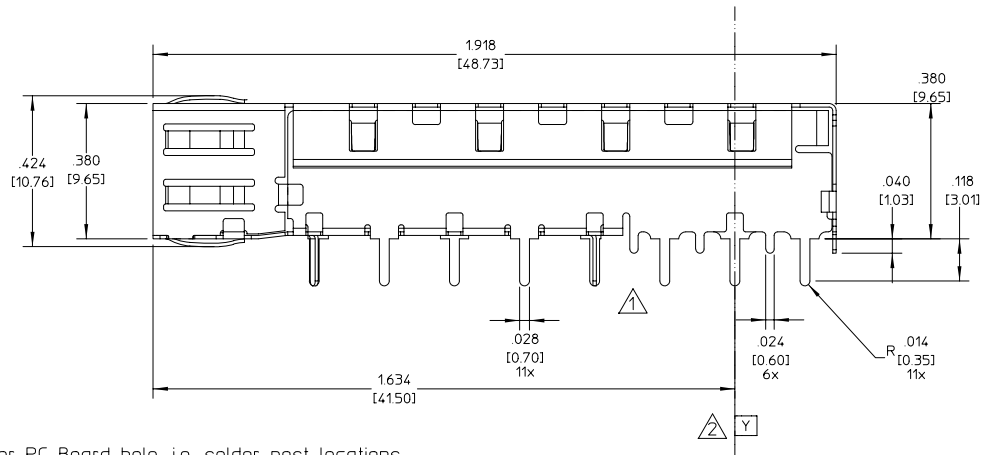
Cage Front View



Cage Rear View



Cage Top View



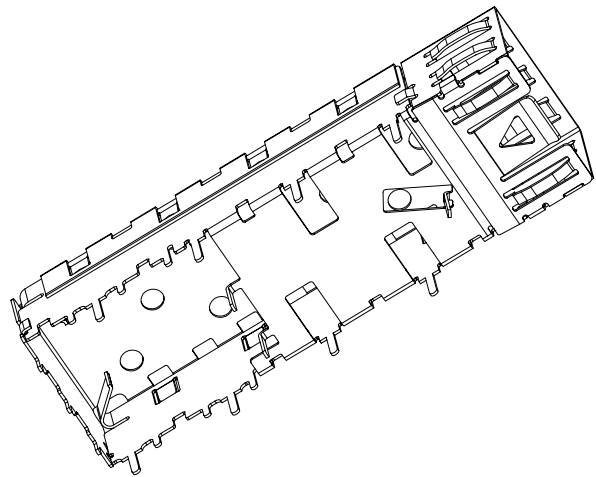
- ▲ See sheet 4 for PC Board hole, i.e. solder post locations.
- ▲ Coincides with datum Y, sheet 4.

EC NO: UDT2002-0278 DRWN: DIRKERS 2001/08/16 CHKD: DIRKERS 2001/08/17 APPR: BRUSSELL 2001/08/20	QUALITY SYMBOLS ▽ = 0 ◻ = 0	GENERAL TOLERANCES (UNLESS SPECIFIED)		SCALE 5:1	DESIGN UNITS METRIC	THIRD ANGLE PROJECTION	REVISE ON CAD ONLY																
		<table border="1"> <tr> <th></th> <th>mm</th> <th>INCH</th> </tr> <tr> <td>4 PLACES</td> <td>± ---</td> <td>± ---</td> </tr> <tr> <td>3 PLACES</td> <td>± ---</td> <td>± .002</td> </tr> <tr> <td>2 PLACES</td> <td>± ---</td> <td>± ---</td> </tr> <tr> <td>1 PLACE</td> <td>± 0.05</td> <td>± ---</td> </tr> </table>			mm	INCH	4 PLACES	± ---	± ---	3 PLACES	± ---	± .002	2 PLACES	± ---	± ---	1 PLACE	± 0.05	± ---	DIMENSION STYLE IN/MM		TITLE SFP CAGE ASSEMBLY WITH ELEVEN .133 SOLDER POST LEGS FOR WAVE SOLDER		
			mm	INCH																			
		4 PLACES	± ---	± ---																			
3 PLACES	± ---	± .002																					
2 PLACES	± ---	± ---																					
1 PLACE	± 0.05	± ---																					
ANGULAR ±1/2°		DRAFT WHERE APPLICABLE MUST REMAIN WITHIN DIMENSIONS		DRAWN BY DATE DIRKERS 2001/08/14		MOLEX INCORPORATED MATERIAL NO 73927-0010 DOCUMENT NO SD-73927-010 SHEET NO 2 OF 7																	
APPROVED BY DATE		APPROVED BY DATE		THIS DRAWING CONTAINS INFORMATION THAT IS PROPRIETARY TO MOLEX INCORPORATED AND SHOULD NOT BE USED WITHOUT WRITTEN PERMISSION																			

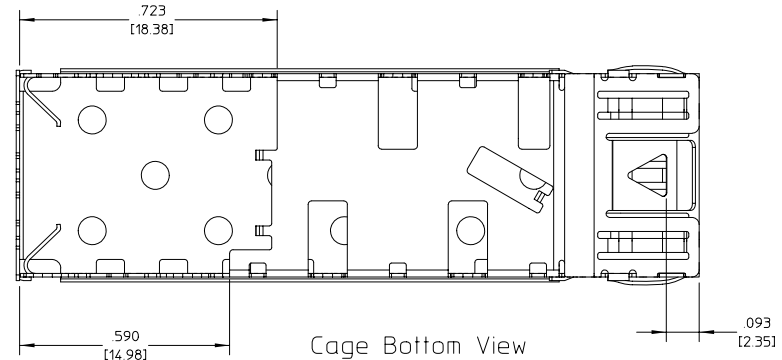
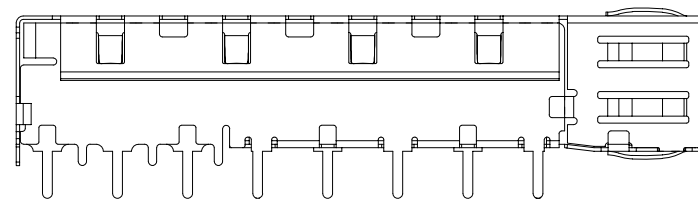
10 9 8 7 6 5 4 3 2 73927

F  
E  
D  
C  
B  
A

F  
E  
D  
C  
B  
A

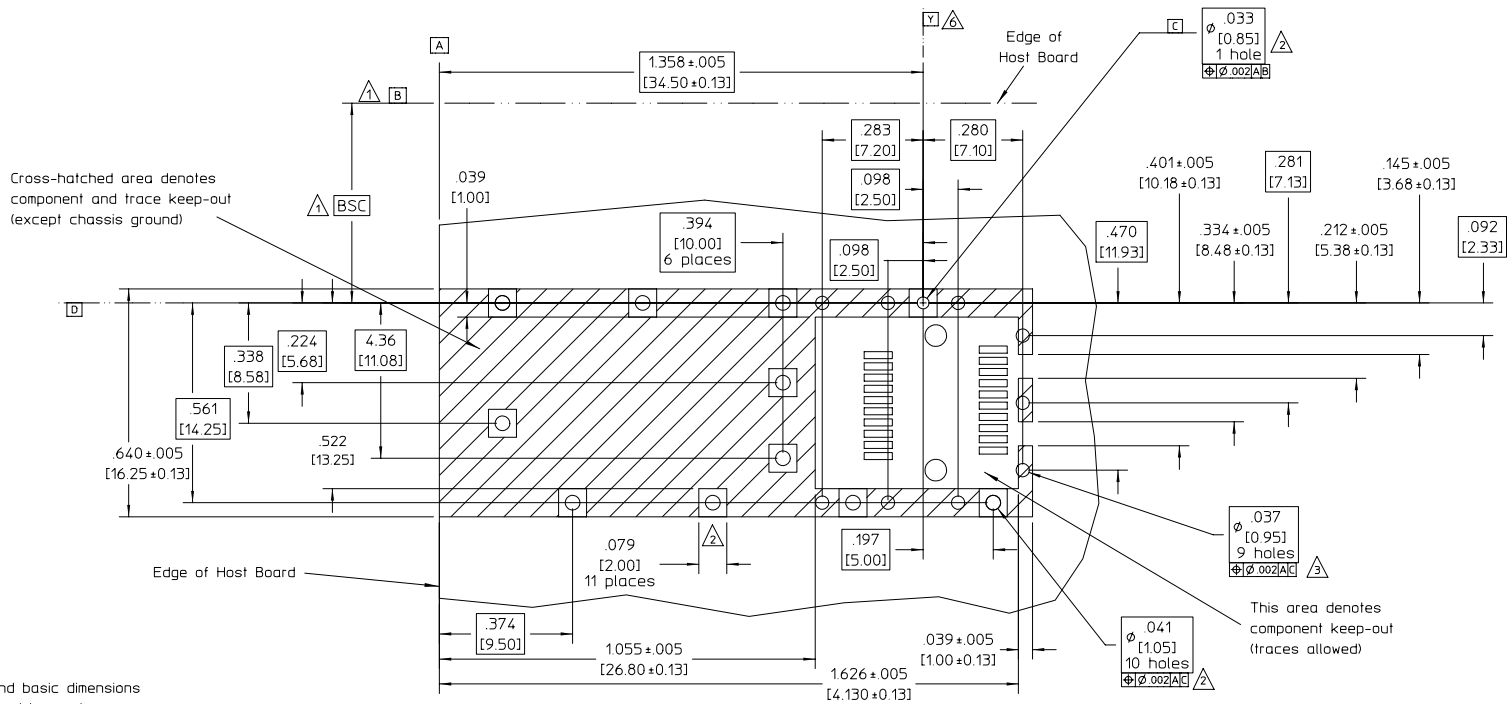


Isometric  
Scale 2.5:1



Cage Bottom View

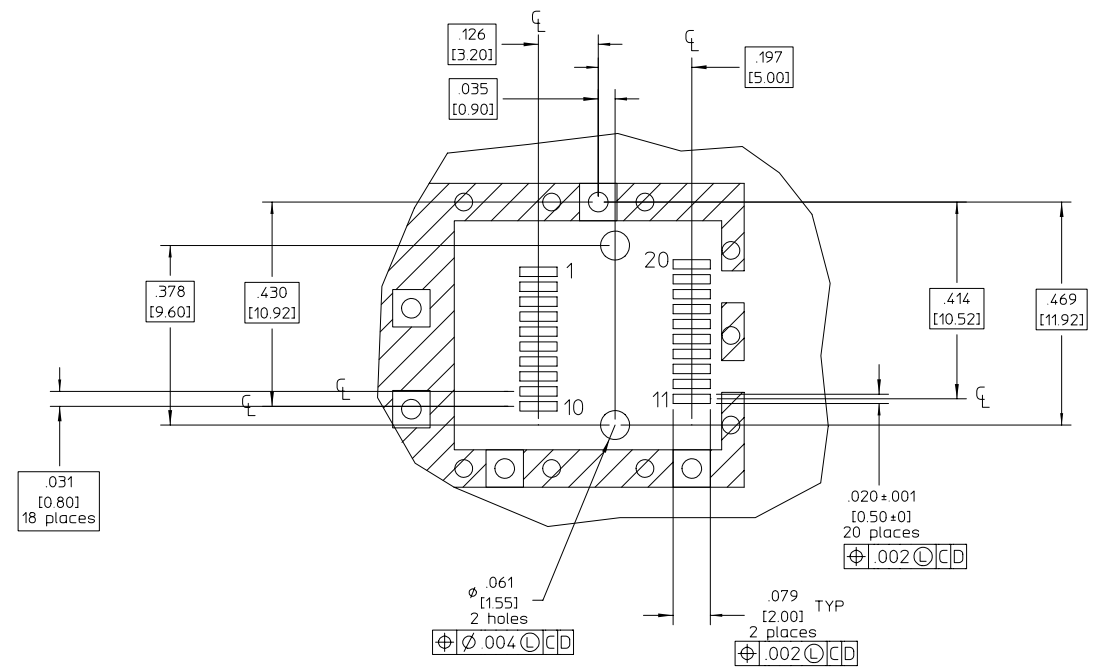
EC NO: UDT2002-0278 DRWN: DIRKERS 2001/08/16 CHKD: DIRKERS 2001/08/17 APPR: BRUSSELL 2001/08/20	DESCRIPTION REV	QUALITY SYMBOLS	GENERAL TOLERANCES (UNLESS SPECIFIED)		SCALE 5:1	DESIGN UNITS METRIC	THIRD ANGLE PROJECTION	REVISE ON CAD ONLY		
		▼ = 0 ▽ = 0		mm	INCH	DIMENSION STYLE IN/MM		TITLE SFP CAGE ASSEMBLY WITH ELEVEN .133 SOLDER POST LEGS FOR WAVE SOLDER		
			4 PLACES	± .002	± .002	DRAWN BY	DATE			
			3 PLACES	± .002	± .002	DIRKERS	2001/08/14			
		± .002	± .002	CHECKED BY	DATE	MOLEX INCORPORATED MATERIAL NO 73927-0010 DOCUMENT NO SD-73927-010 SHEET NO 3 OF 7				
2 PLACES	± .002	± .002	DIRKERS	2001/08/14						
		± 0.05	± .002	APPROVED BY		DATE	THIS DRAWING CONTAINS INFORMATION THAT IS PROPRIETARY TO MOLEX INCORPORATED AND SHOULD NOT BE USED WITHOUT WRITTEN PERMISSION			
1 PLACE	± 0.05	± .002								
			ANGULAR ±1/2°							
			DRAFT WHERE APPLICABLE MUST REMAIN WITHIN DIMENSIONS							



- △ Datum and basic dimensions established by customer.
- △ Vias and pads chassis ground, plated through. 11 places. Pad locations must be on bottom of PC board for wave solder applications.
- △ Holes optionally plated through.
- 4 Hole pattern allows two parts to be mounted "belly-to-belly" on .093" nom. boards. Hole layout shown for one side only. Transceiver profile outside cage determines feasibility of "belly-to-belly" mounting.
- △ Cage datum Y shown for reference to cage, only.

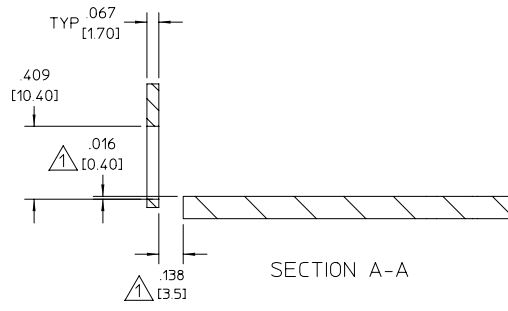
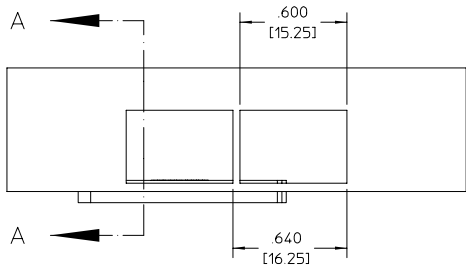
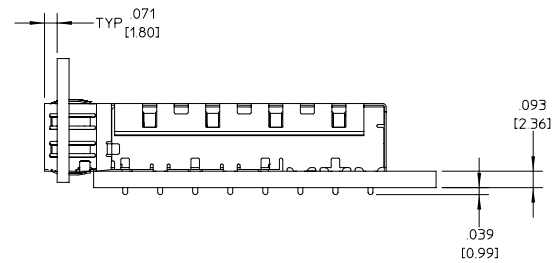
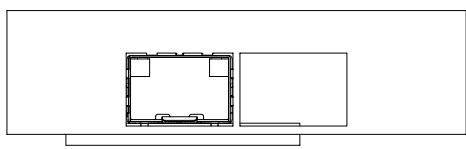
EC NO: UDT2002-0278 DRWN: DIRKERS 2001/08/16 CHKD: DIRKERS 2001/08/17 APPR: BRUSSELL 2001/08/20	QUALITY SYMBOLS	GENERAL TOLERANCES (UNLESS SPECIFIED)		SCALE 3:1	DESIGN UNITS METRIC	THIRD ANGLE PROJECTION	REVISE ON CAD ONLY
	▽ 0 ▽ 0	4 PLACES ± --- ± ---	mm	INCH	DIMENSION STYLE IN/MM		TITLE SFP CAGE ASSEMBLY WITH ELEVEN .133 SOLDER POST LEGS FOR WAVE SOLDER
		3 PLACES ± --- ± .002			DRAWN BY DATE DIRKERS 2001/08/14		
		2 PLACES ± --- ± ---			CHECKED BY DATE DIRKERS 2001/08/14		
	1 PLACE ± 0.05 ± ---	ANGULAR ± 1/2°		APPROVED BY DATE	MATERIAL NO 73927-0010	DOCUMENT NO SD-73927-010	SHEET NO 4 OF 7
	DRAFT WHERE APPLICABLE MUST REMAIN WITHIN DIMENSIONS		THIS DRAWING CONTAINS INFORMATION THAT IS PROPRIETARY TO MOLEX INCORPORATED AND SHOULD NOT BE USED WITHOUT WRITTEN PERMISSION				

F  
E  
D  
C  
B  
A



1. Connector pad pattern per MSA.  
will accommodate surface mount Molex  
connector 74441 or equivalent.


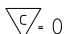
EC NO: UDT2002-0278 DRWN: DIRKERS 2001/08/16 CHKD: DIRKERS 2001/08/17 APPR: BRUSSELL 2001/08/20	QUALITY SYMBOLS	GENERAL TOLERANCES (UNLESS SPECIFIED)		SCALE 3:1	DESIGN UNITS METRIC	THIRD ANGLE PROJECTION	REVISE ON CAD ONLY
	▽ = 0	4 PLACES ± ---	mm INCH	DIMENSION STYLE IN/MM		TITLE SFP CAGE ASSEMBLY WITH ELEVEN .133 SOLDER POST LEGS FOR WAVE SOLDER	
	∇ = 0	3 PLACES ± ---	± .002	DRAWN BY DIRKERS	DATE 2001/08/14	MOLEX INCORPORATED	
		2 PLACES ± ---	± .002	CHECKED BY DIRKERS	DATE 2001/08/14	MATERIAL NO 73927-0010	DOCUMENT NO SD-73927-010
		1 PLACE ± 0.05	ANGULAR ± 1/2°	APPROVED BY	DATE	THIS DRAWING CONTAINS INFORMATION THAT IS PROPRIETARY TO MOLEX INCORPORATED AND SHOULD NOT BE USED WITHOUT WRITTEN PERMISSION	
		DRAFT WHERE APPLICABLE MUST REMAIN WITHIN DIMENSIONS					



1. Relational geometry per MSA standard.

EC NO: UDT2002-0278 DRWN: DIRKERS 2001/08/16 CHKD: DIRKERS 2001/08/17 APPR: BRUSSELL 2001/08/20	QUALITY SYMBOLS ▽ = 0 ◻ = 0	GENERAL TOLERANCES (UNLESS SPECIFIED) 4 PLACES ± --- ± --- 3 PLACES ± --- ± .002 2 PLACES ± --- ± --- 1 PLACE ± 0.05 ± --- ANGULAR ± 1/2°	SCALE 3:1 DESIGN UNITS METRIC DIMENSION STYLE IN/MM	THIRD ANGLE PROJECTION REVISE ON CAD ONLY	TITLE SFP CAGE ASSEMBLY WITH ELEVEN .133 SOLDER POST LEGS FOR WAVE SOLDER MOLEX INCORPORATED MATERIAL NO 73927-0010 DOCUMENT NO SD-73927-010 SHEET NO 6 OF 7
	DRAFT WHERE APPLICABLE MUST REMAIN WITHIN DIMENSIONS	DRAWN BY DATE DIRKERS 2001/08/14 CHECKED BY DATE DIRKERS 2001/08/14 APPROVED BY DATE	THIS DRAWING CONTAINS INFORMATION THAT IS PROPRIETARY TO MOLEX INCORPORATED AND SHOULD NOT BE USED WITHOUT WRITTEN PERMISSION		
	A	REV	B		
	10 9 8 7 6 5 4 3 2 1	F F E E D D C C B B A A			

DATE	REV	CHANGES	REASONS	APPROVAL
2001/08/14	A	DIMENSIONS ADDED	INITIAL RELEASE	CD

EC NO: UDT2002-0278 DRWN: DIRKERS 2001/08/16 CHKD: DIRKERS 2001/08/17 APPR: BRUSSELL 2001/08/20	QUALITY SYMBOLS	GENERAL TOLERANCES (UNLESS SPECIFIED)	SCALE 1:1	DESIGN UNITS METRIC	THIRD ANGLE PROJECTION	REVISE ON CAD ONLY															
	 = 0  = 0	<table border="1"> <tr> <th></th> <th>mm</th> <th>INCH</th> </tr> <tr> <td>4 PLACES</td> <td>± ---</td> <td>± ---</td> </tr> <tr> <td>3 PLACES</td> <td>± ---</td> <td>± .002</td> </tr> <tr> <td>2 PLACES</td> <td>± ---</td> <td>± ---</td> </tr> <tr> <td>1 PLACE</td> <td>± 0.05</td> <td>± ---</td> </tr> </table>		mm	INCH	4 PLACES	± ---	± ---	3 PLACES	± ---	± .002	2 PLACES	± ---	± ---	1 PLACE	± 0.05	± ---	DIMENSION STYLE IN/MM DRAWN BY DATE DIRKERS 2001/08/14	TITLE SFP CAGE ASSEMBLY WITH ELEVEN .133 SOLDER POST LEGS FOR WAVE SOLDER		
			mm	INCH																	
		4 PLACES	± ---	± ---																	
3 PLACES	± ---	± .002																			
2 PLACES	± ---	± ---																			
1 PLACE	± 0.05	± ---																			
ANGULAR ±1/2° DRAFT WHERE APPLICABLE MUST REMAIN WITHIN DIMENSIONS	CHECKED BY DATE DIRKERS 2001/08/14	MOLEX INCORPORATED																			
APPROVED BY DATE	MATERIAL NO 73927-0010 DOCUMENT NO SD-73927-010 SHEET NO 7 OF 7	THIS DRAWING CONTAINS INFORMATION THAT IS PROPRIETARY TO MOLEX INCORPORATED AND SHOULD NOT BE USED WITHOUT WRITTEN PERMISSION																			