

RAMO 22 I - Signal indicator blue

1.10.071.001/0661

The RAMO I is a signal indicator light with M12 connection and a lot of other features:

- Sealed body - IP69K
- No housing for the actuators necessary
- Standardized M12 plug & play connector
- No wiring necessary
- Mounting holes 22,3 mm



General information

Color of front ring	black
Form of collar	round
LED	RGB
Color LED & lens	blue
Illumination input DIG IN LED low level (0 - 8 V)	not actuated red / actuated green
Illumination input DIG IN LED high level (10 - 32 V)	not actuated red flashing / actuated green

Dimensions

Mounting hole	22.3 mm
---------------	---------

Mechanical design

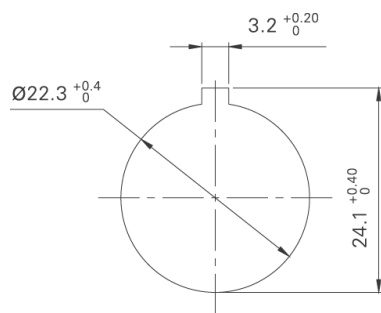
Output	1 NO, PNP
Mounting	ring nut
Terminals	M12
Reverse polarity protection	yes
Labeling	individually with FLEXLAB
Torque for nut ring	1.2 Nm

Electrical characteristics

Rated voltage	24 V
Current carrying capacity	200 mA
Output signal	NO / NC: PNP / NPN / active output
Rated current	max. 25 mA / 24 V

Other specifications

Ambient temp. operating min.	-40 °C
Ambient temp. operating max.	+70 °C
Degree of protection from front side	IP 66, IP 67, IP 69K
Degree of protection from rear side	IP 66 (je nach verwendetem Stecker IP 67 oder IP 69K)
Environmental resistance	acc. to IEC 60068-2-14, -30, -33 and -78
ROHS compliant	yes
REACH compliant	yes



Einbauöffnung nach IEC 60947-5-1