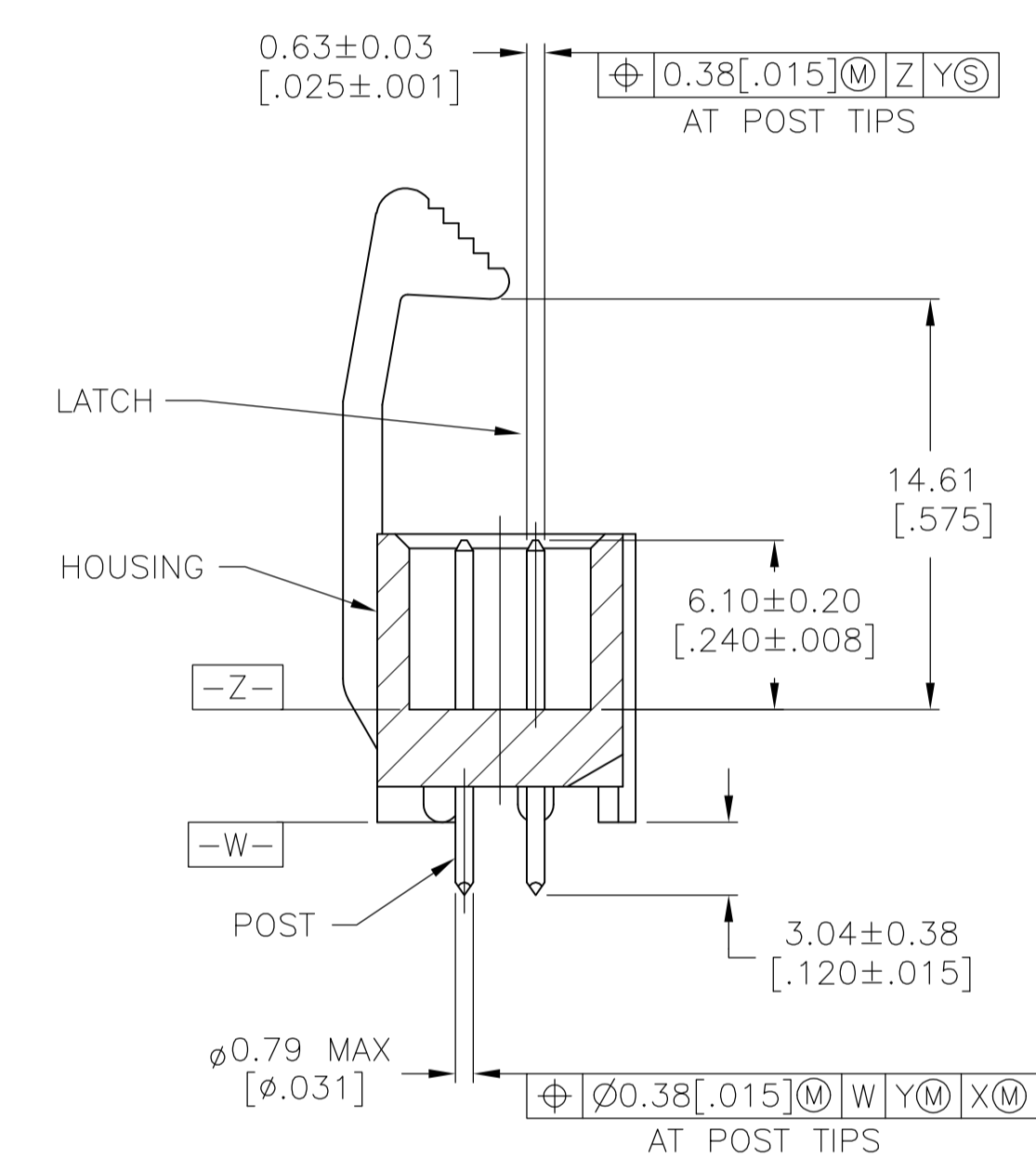
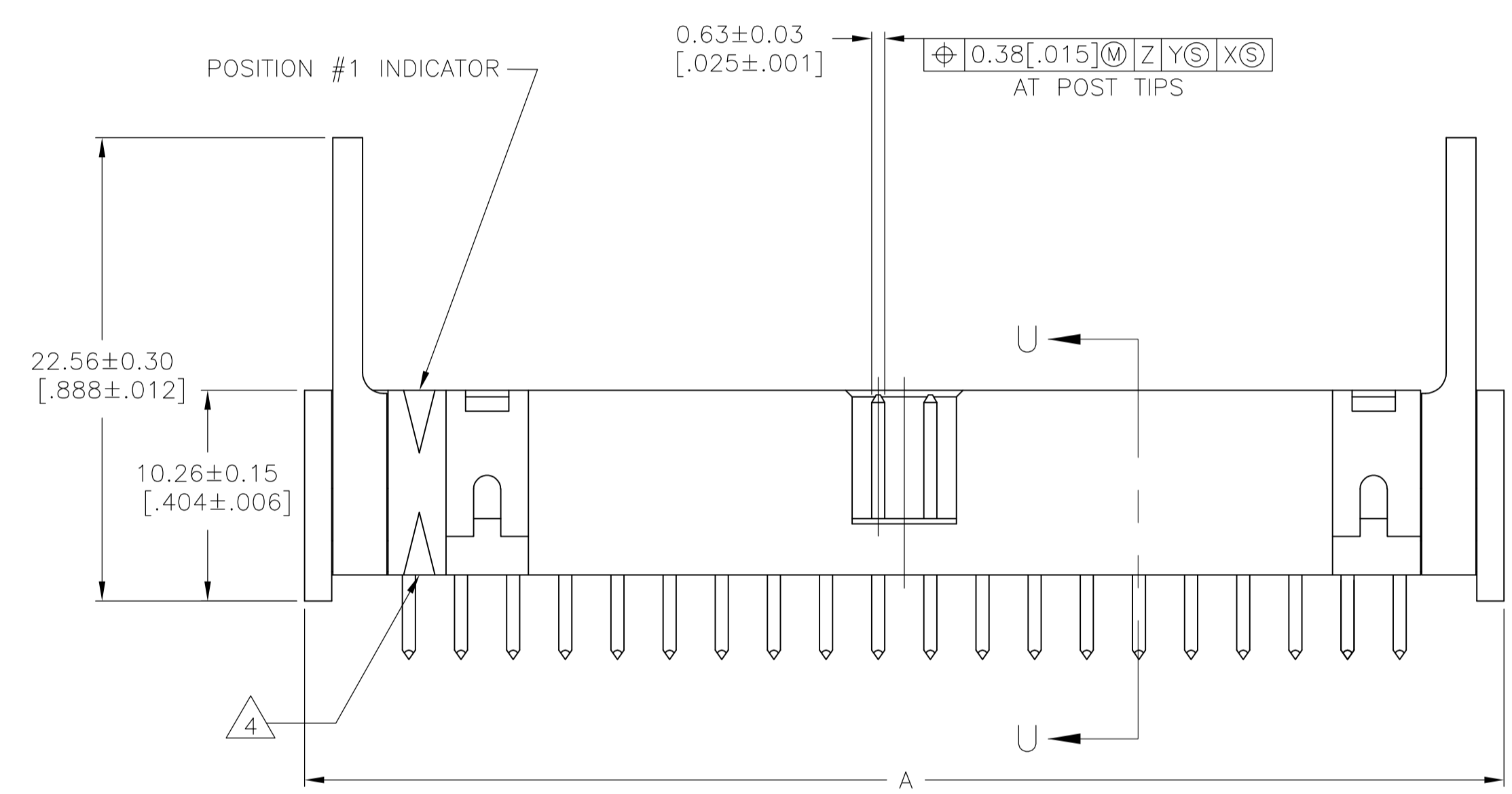


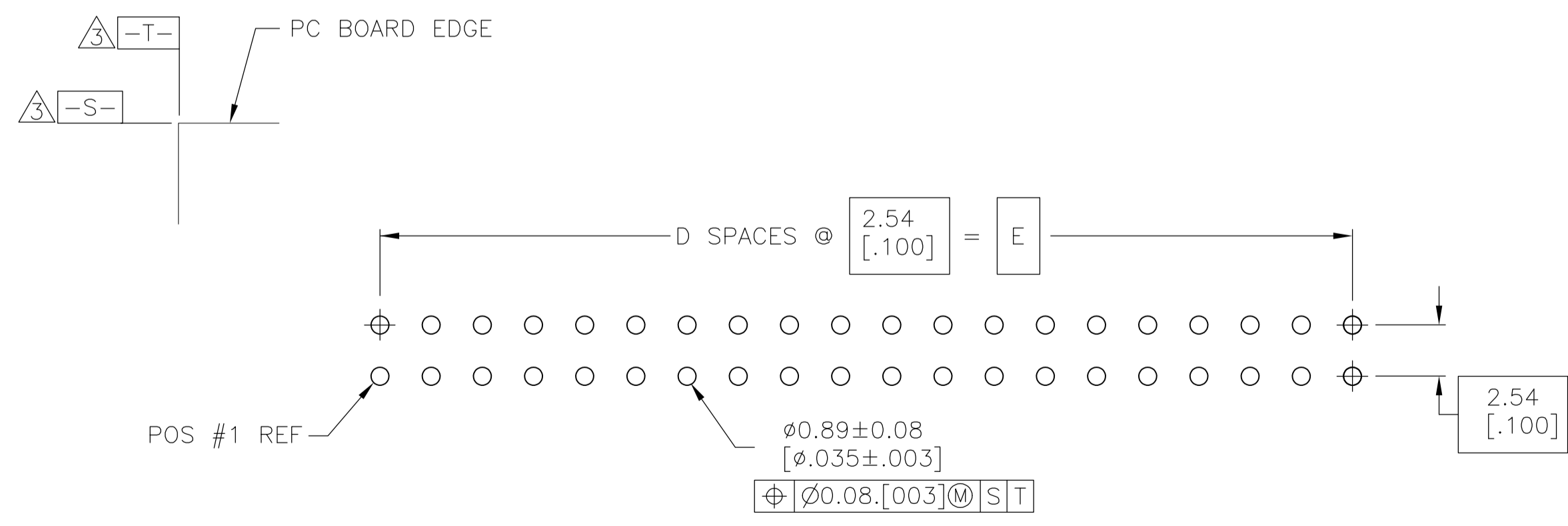
△ HOUSING: PBT, UL94V-0, COLOR: BLACK.
 POSTS: PHOSPHOR BRONZE.
 LATCHES: ZINC ALLOY.

△ POSTS: GOLD FLASH OVER PALLADIUM-NICKEL PLATE, 0.76µm[.000030] MIN TOTAL ON MATING AREA, 2.54µm[.000100] MIN TIN PLATE ON SOLDER-TAIL, ALL OVER 1.27µm[.000050] MIN NICKEL UNDERPLATE ON ENTIRE POST.
 OR
 0.76µm[.000030] MIN GOLD PLATE ON MATING AREA, 2.54µm[.000100] MIN TIN PLATE ON THE SOLDER-TAIL, 1.27µm[.000050] MIN NICKEL UNDERPLATE ON THE ENTIRE POST.
 LATCHES: BLACK NICKEL OVER COPPER.

△ DATUMS S & T TO BE ESTABLISHED BY CUSTOMER.
 △ ALTERNATE LOCATION/ORIENTATION FOR POSITION #1 INDICATOR.



SECTION U-U



RECOMMENDED PC BOARD LAYOUT
 (VIEWED FROM CONNECTOR SIDE)

48.26 [1.900]	19	50.29 [1.980]	55.78 [2.196]	58.42 [2.300]	40	1-1888381-3
E	D	C	B	A	NO OF POS	PART NUMBER

THIS DRAWING IS A CONTROLLED DOCUMENT.		DIN J.GERACE 01MAR06		Tyco Electronics Corporation	
DIMENSIONS: mm [INCHES]		TOLERANCES UNLESS OTHERWISE SPECIFIED:		Tyco Electronics Corporation Harrisburg, PA 17105-3608	
0 PLC ± -	1 PLC ± -	2 PLC ± -	3 PLC ± 0.13[.005]	NAME M.WALMSLEY	
4 PLC ± -	ANGLES ± -		APPLICATION SPEC		PRODUCT SPEC
MATERIAL		FINISH		SIZE CAGE CODE DRAWING NO	
1		2		A1 00779 C=1888381	
CUSTOMER DRAWING		SCALE 5:1		SHEET 1 OF 1 REV E	