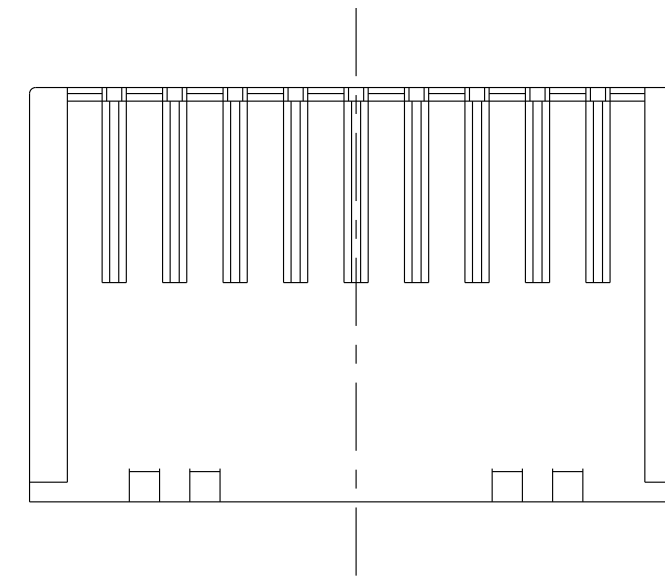
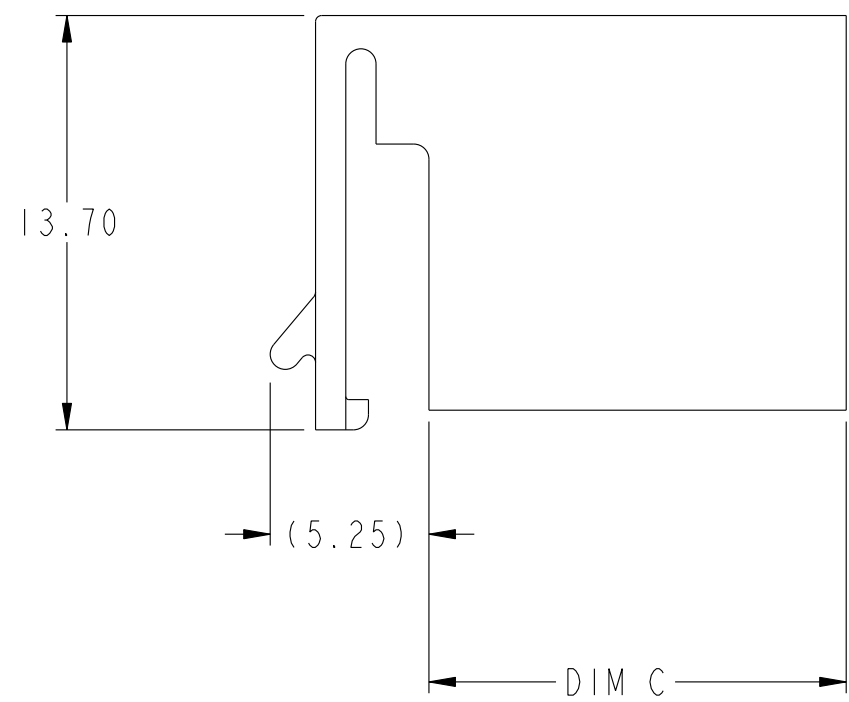
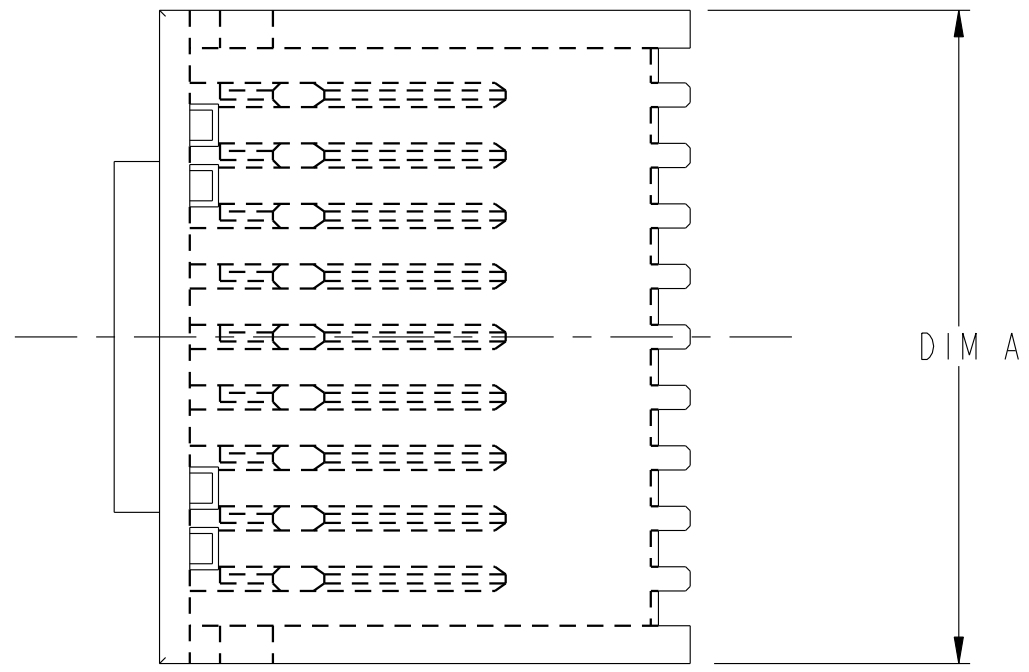


PRODUCT NUMBER
SEE SHEET 2

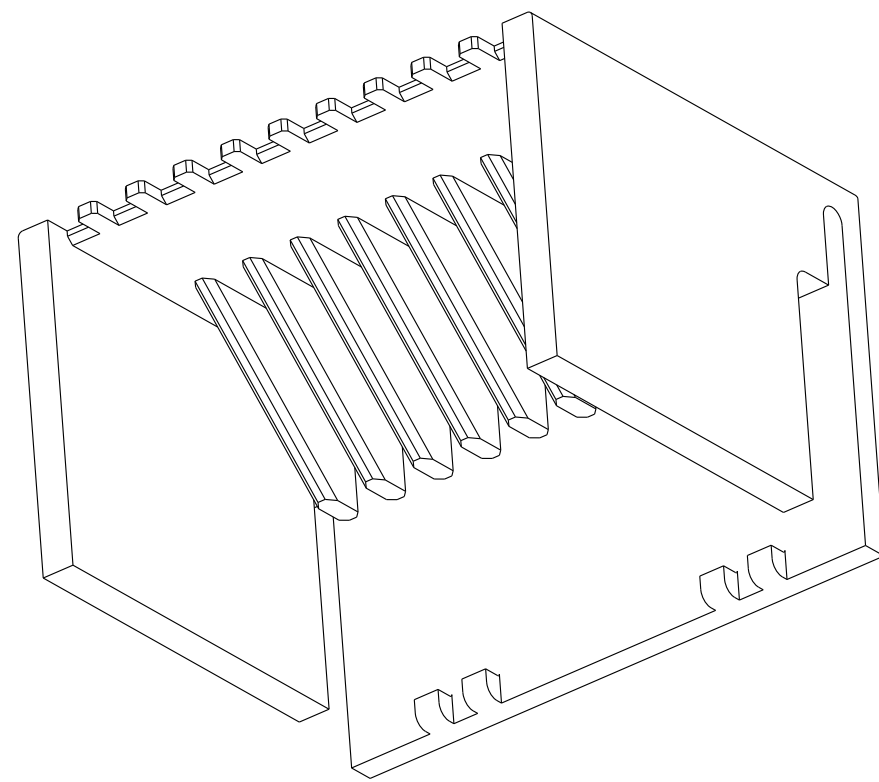


CONFIDENTIAL

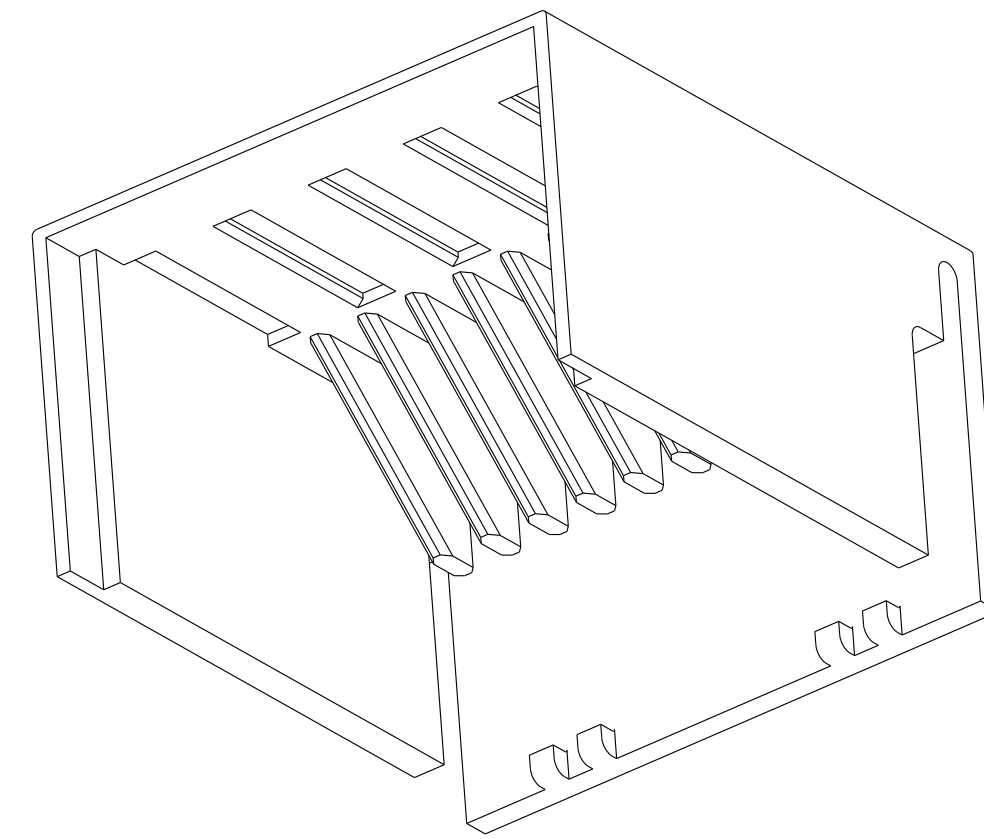
| | | | | | | | | |
|--------------------|-----------|------------|----------------|---|-----------------------------|--------------------|---------------------------------------|--|
| www.fciconnect.com | | | | surface ASME Y14.5 | tolerance std ASME Y14.5 | projection MM | TOLERANCES UNLESS OTHERWISE SPECIFIED | |
| Dr | T. HOUTZ | 2005-08-16 | ANGULAR | 0.X | ±0.3 | size | Scale | |
| Eng | C. H. TAN | 2006-06-05 | LINEAR | 0.XX | ±0.10 | A2 | 4:1 | |
| Chr | C. H. TAN | 2007-06-04 | 0° ±2° | 0.XXX | ±0.050 | ECN | *** | |
| Appr | JOEY NG | 2007-06-04 | Product family | - | Spec ref | - | | |
| | | | | title AirMax COVER R/A HDR & RECPT - 4pr, 2mm | | dwg no 10058686 | Rev. B | |
| catalog no | | | | CUSTOMER | | sheet 1 of 2 | | |

| rev | ecn no | dr | date |
|-----|----------|----|------------|
| A | S06-0199 | CH | 2006-06-05 |
| B | S07-0055 | LS | 2007-06-04 |
| - | - | - | - |
| - | - | - | - |
| - | - | - | - |
| - | - | - | - |

| PART NUMBER (NOTE 3) | CONNECTOR GENDER | NUMBER OF IMLAS | DIM A | DIM C |
|----------------------|------------------|-----------------|-------|-------|
| 10058686-001LF | R/A HEADER | 6 | 13.60 | 13.80 |
| 10058686-002LF | R/A HEADER | 8 | 17.60 | 13.80 |
| 10058686-003LF | R/A HEADER | 10 | 21.60 | 13.80 |
| 10058686-004LF | R/A RECEPT. | 6 | 13.60 | 19.25 |
| 10058686-005LF | R/A RECEPT. | 8 | 17.60 | 19.25 |
| 10058686-006LF | R/A RECEPT. | 10 | 21.60 | 19.25 |



10058686-003LF SHOWN
SCALE 4:1



10058686-006LF SHOWN
SCALE 4:1

NOTES:

- MATERIAL: THERMOPLASTIC RESIN
COLOR : BLACK,
UL94V-0 COMPLIANT,
MAXIMUM OPERATING TEMPERATURE
IS 105°C.
- THIS PRODUCT IS NOT INTENDED TO BE EXPOSED
TO A MANUFACTURING SOLDER PROCESS.
- THIS PRODUCT MEETS EUROPEAN UNION DIRECTIVES
AND OTHER COUNTRY REGULATIONS AS DESCRIBED
IN GS-22-008.
- PACKAGING MEETS GS-14-920 LEAD FREE
LABELLING SPECIFICATION.

CONFIDENTIAL

| | | | |
|--|--|-----------------|--------------|
| | title AirMax COVER R/A HDR & RECPT - 4pr, 2mm | dwg no 10058686 | Rev. B |
| | catalog no - | CUSTOMER | sheet 2 of 2 |

Copyright FCJ. FCJ