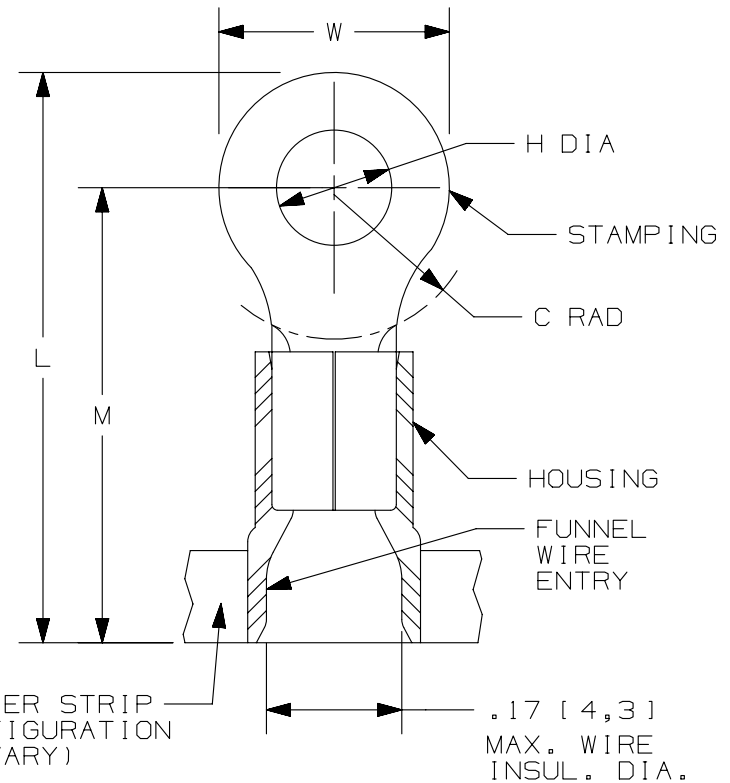


THIS COPY IS PROVIDED ON A RESTRICTED BASIS AND IS NOT TO BE USED IN ANY WAY DETRIMENTAL TO THE INTERESTS OF PANDUIT CORP.

| PANDUIT PART # | STUD SIZE | | DIMENSIONS in. [mm] | | | | |
|----------------|-----------|--------|---------------------|----------------|----------------|----------------|----------------|
| | ENGLISH | METRIC | L ± .03 [0,76] | W ± .01 [0,25] | C ± .02 [0,51] | M ± .03 [0,76] | H ± .01 [0,25] |
| PV14-4RB | #4 | -- | .76 [19,3] | .25 [6,4] | .22 [5,6] | .63 [16,0] | .12 [3,1] |
| PMV2-3RB | -- | M3 | .84 [21,3] | .23 [5,8] | .20 [5,1] | .64 [16,3] | .13 [3,3] |
| PV14-6RNB | #6 | M3,5 | .76 [19,3] | .25 [6,4] | .22 [5,6] | .63 [16,0] | .15 [3,8] |
| PV14-6RB | #6 | M3,5 | .86 [21,8] | .31 [7,9] | .25 [6,4] | .70 [17,8] | .15 [3,8] |
| PV14-8RB | #8 | M4 | .86 [21,8] | .31 [7,9] | .25 [6,4] | .70 [17,8] | .17 [4,3] |
| PV14-10RB | #10 | -- | .86 [21,8] | .31 [7,9] | .25 [6,4] | .70 [17,8] | .20 [5,1] |
| PMV2-5RB | -- | M5 | .96 [24,4] | .35 [8,9] | .26 [6,5] | .70 [17,8] | .21 [5,3] |
| PV14-14RB | 1/4" | M6 | 1.05 [26,7] | .45 [11,4] | .38 [9,7] | .83 [21,1] | .27 [6,9] |
| PV14-56RB | 5/16" | M8 | 1.06 [26,9] | .46 [11,7] | .38 [9,7] | .83 [21,1] | .33 [8,4] |
| PV14-38RB | 3/8" | -- | 1.15 [29,2] | .53 [13,5] | .43 [10,9] | .88 [22,4] | .39 [9,9] |



NOTES:

- USED FOR:
 - A. #16-14 AWG [1,5-2,5 mm²] SOLID OR STRANDED COPPER WIRE
 - B. 221°F [105°C] MAX. OPERATING TEMPERATURE
 - C. 600 V. MAX. VOLTAGE RATING
- INSTALLATION TOOLS:
 - A. PRESSES: CP-861, CP-862, CP-871
 - B. APPLICATOR: CA-800EZ, CA9
 - C. DIE INSERTS: CD-800-2, CD9-2A, CD9-2B
- WIRE STRIP LENGTH: 1/4" ^{+1/32} [6,4^{+0,8}]
- MATERIAL:
 - A. STAMPING: .03" [0,8] THK COPPER, TIN PLATED
 - B. HOUSING: VINYL, BLUE
- SEE www.panduit.com FOR PACKAGE QUANTITIES INDICATED BY PART NUMBER SUFFIX
- DIMENSIONS IN BRACKETS ARE METRIC EQUIVALENT

CARRIER STRIP (CONFIGURATION MAY VARY)

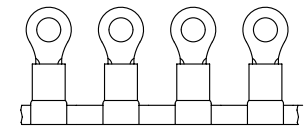
.17 [4,3] MAX. WIRE INSUL. DIA.



LISTED 587H E52164



CERTIFIED LR31212



| | | | | |
|---|------|---|--------|------|
| TITLE | | RING TERMINALS, 2 PC. VINYL INSULATED, #16-14 | | |
| | | CUSTOMER DRAWING | | |
| ITEM REVISION NAME | | N41068BA/07 | | |
| DATASET FILE NAME | | N41068BA_DC/07A | | |
| UNLESS OTHERWISE SPECIFIED, DIMENSIONAL TOLERANCES ARE: IN [mm] | | MATERIAL: SEE NOTES | | |
| .x ± .1 [2.54] .xxx ± .005 [.13] | | DRAWING NUMBER: A41068 | | |
| .xx ± .01 [.25] ANGLES ± 5° | | THIRD ANGLE PROJECTION | | |
| DRAWN BY | DATE | CHK | SCALE | STZE |
| CLK | - | FS | N.T.S. | A |

| REV | DATE | BY | CHK | APR | DESCRIPTION | ECN |
|-----|----------|-----|-----|-----|---|--------|
| 07 | 09.14.12 | JBN | LCA | VMB | ADDED METRIC EQUIVALENT. REVISED NOTES. UPDATED DRAWING TO CURRENT STANDARDS. | A41068 |

D101000DA/15