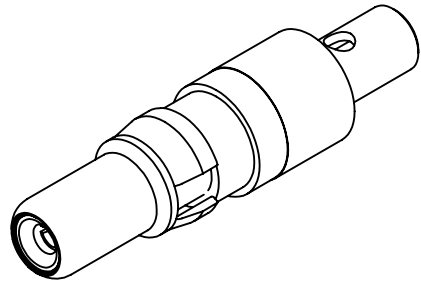
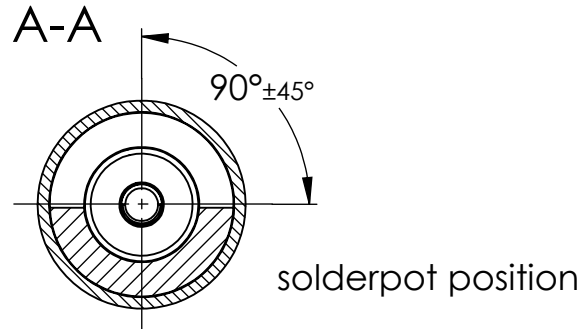
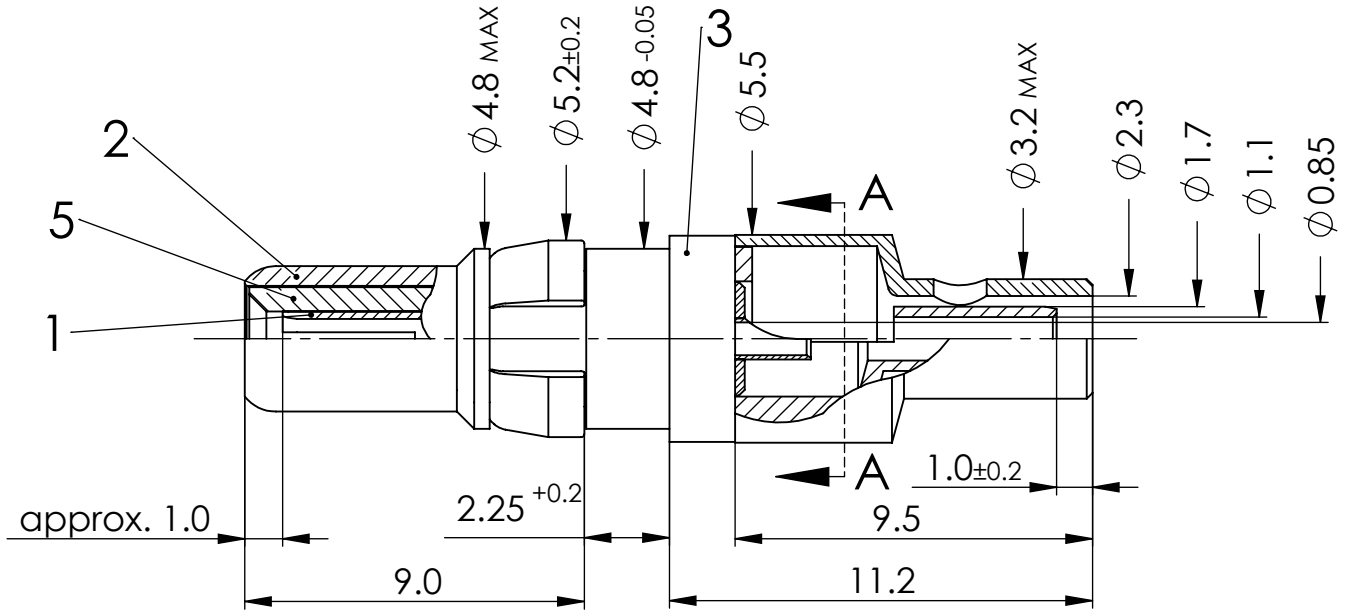
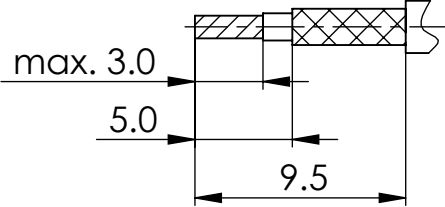


COMMENT:
 ALL RIGHTS ARE RESERVED BY US FOR THIS DRAWING. WITHOUT OUR PRIOR CONSENT,
 IT MAY NEITHER BE DUPLICATED NOR MADE AVAILABLE TO A THIRD PARTY,
 AND IT ALSO MAY NOT BE IMPROPERLY USED BY THE RECEIVER, OR A THIRD PARTY.



Cable dimensions



Text No. W-2

FCT tools:

Crimping of outer conductor:

Hand tool: M22520/5-01
 Die: Y1535P cavity C

Pneumatic crimp tool: HX23 (replacement for PH4001) ②

Extraction tool: DRK38

IMPEDANCE		50 Ohm	COAXIAL CONTACT	SCALE 5:1	CABLE RG178BU, RG196AU, RG404U	
FOR		D-SUB			DATA SHEET	
DIMENSIONS IN MM			DRAWN	NAME / DATE ffuhrmann 29-05-2006	PART NO. FMX005P	
MATERIAL + FINISH SEE EXTRA SHEET			CHECKED	sschref 23-10-2012	REV. 2	
UNLESS OTHERWISE SPECIFIED DIMENSIONS FOR REFERENCE ONLY			 www.fctgroup.com		REPLACEMENT FOR:	
2	17-10-2012	23305			ORIGINAL: DIN A4-DRAWING AS A FILE	
REV.	DATE	INDEX				