

5

4

3

2

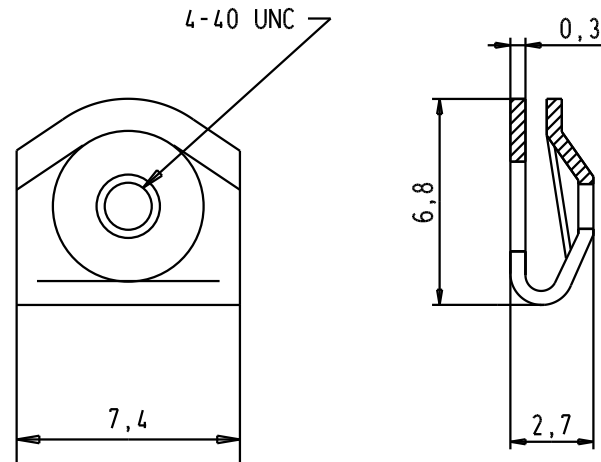
1

D



C

B

A



stainless steel

				Dat.	Name	 All Dim. in mm Orig. Size DIN A 4	D-Sub, U clip with thread UNC 4-40 for 9-15-25-37 and 50 poles	Moßstab/ Scale
			Detail.	09-APR-02	CV			4:1
			Insp.					
			Stand.					
33435	02/03/06	JMDR	HARTING EURL F-95972 Paris				TB 09670019928	Blatt/ Page
29768	09-APR-02	CV						1
Mod.	Dat.	Name						Sub.