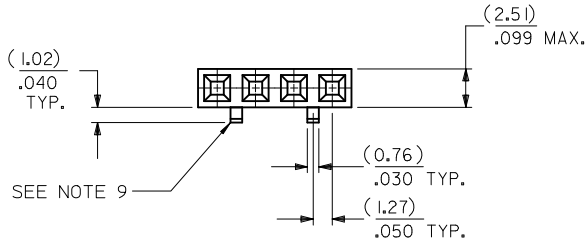
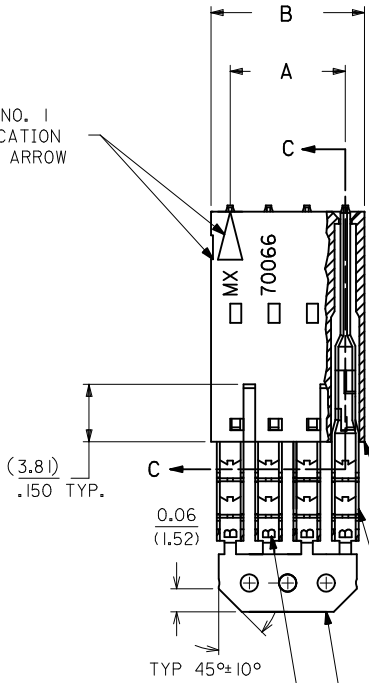


# OPTION D

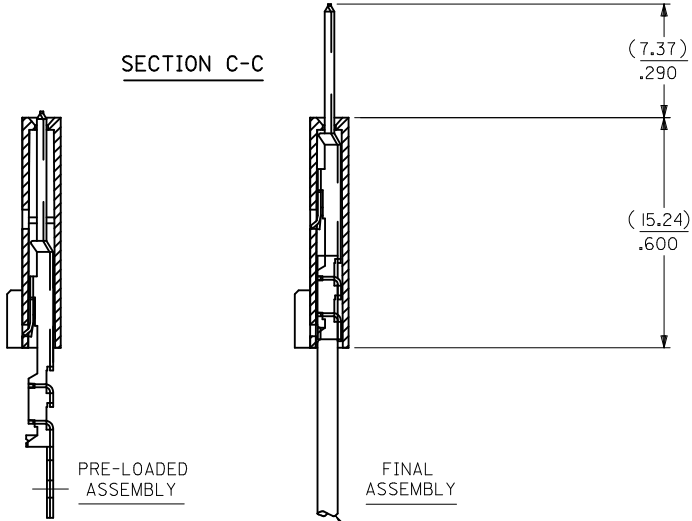
- NOTES:
- MATERIAL: HOUSING - G.F. POLYESTER, 94V-0  
TERMINAL - PHOSPHOR BRONZE
  - FINISH: 3.81 MICROMETERS/150 MICROINCHES MINIMUM TIN OVER NICKEL UNDERPLATE OVER-ALL.
  - PRODUCT SPECIFICATION: PS-70400
  - TO BE USED WITH 26 AWG. STANDARD WIRE WITH 1.35/.053 DIAMETER MAXIMUM INSULATION.
  - SEE CHART FOR CIRCUIT SIZES.
  - STANDARD PACKAGING PER PK-70873-0001. OPTIONAL PACKAGING MAY BE AVAILABLE. REQUEST DRAWING PK-70475.
  - PARTS STACKABLE END TO END ON 2.54/100 CENTERS. SEE DRAWING SDA-70457-\*\*\*\* (SHEET 3) FOR OPTIONAL HOUSING DETAILS.
  - 4 CIRCUIT SHOWN. 3-25 CIRCUITS HAVE 2 RIBS.
  - TO MATE WITH MOLEX PART NUMBERS: 70018-0000, 70022-\*\*\*\*, 70104-\*\*\*\*.
  - 2 CIRCUIT ASSEMBLIES SUPPLIED AS GROUPED PAIRS.



CIRCUIT NO. 1 IDENTIFICATION SLOT OR ARROW



## SECTION C-C



HOUSING PART NO. 70066-\*\*\*\*  
TERMINAL PART NO. 70110-\*\*\*\*

WIRE (SEE NOTE 4)

CKT. SIZE	A	B	EDP. NO.	ENG. NO.
2	( 2.54 ) .100	( 5.05 ) .199	14-45-0602	A-70475-0246
3	( 5.08 ) .200	( 7.59 ) .299	14-45-0603	A-70475-0247
4	( 7.62 ) .300	( 10.13 ) .399	14-45-0604	A-70475-0248
5	( 10.16 ) .400	( 12.67 ) .499	14-45-0605	A-70475-0249
6	( 12.70 ) .500	( 15.21 ) .599	14-45-0606	A-70475-0250
7	( 15.24 ) .600	( 17.75 ) .699	14-45-0607	A-70475-0251
8	( 17.78 ) .700	( 20.29 ) .799	14-45-0608	A-70475-0252
9	( 20.32 ) .800	( 22.83 ) .899	14-45-0609	A-70475-0253
10	( 22.86 ) .900	( 25.37 ) .999	14-45-0610	A-70475-0254
11	( 25.54 ) 1.000	( 27.91 ) 1.099	14-45-0611	A-70475-0255
12	( 27.94 ) 1.100	( 30.45 ) 1.199	14-45-0612	A-70475-0256
13	( 30.48 ) 1.200	( 32.99 ) 1.299	14-45-0613	A-70475-0257
14	( 33.02 ) 1.300	( 35.53 ) 1.399	14-45-0614	A-70475-0258
15	( 35.56 ) 1.400	( 38.07 ) 1.499	14-45-0615	A-70475-0259
16	( 38.01 ) 1.500	( 40.61 ) 1.599	14-45-0616	A-70475-0260
17	( 40.64 ) 1.600	( 43.15 ) 1.699	14-45-0617	A-70475-0261
18	( 43.18 ) 1.700	( 45.69 ) 1.799	14-45-0618	A-70475-0262
19	( 45.72 ) 1.800	( 48.23 ) 1.899	14-45-0619	A-70475-0263
20	( 48.26 ) 1.900	( 50.77 ) 1.999	14-45-0620	A-70475-0264
21	( 50.80 ) 2.000	( 53.31 ) 2.099	14-45-0621	A-70475-0265
22	( 53.34 ) 2.100	( 55.85 ) 2.199	14-45-0622	A-70475-0266
23	( 55.88 ) 2.200	( 58.39 ) 2.299	14-45-0623	A-70475-0267
24	( 58.42 ) 2.300	( 60.93 ) 2.399	14-45-0624	A-70475-0268
25	( 60.96 ) 2.400	( 63.47 ) 2.499	14-45-0625	A-70475-0269

I.D. SLOT CODE TO WIRE GAUGE CHART	
I.D. SLOT CODE	WIRE GAUGE
B	26 AWG.

PLATING CODE (STRIPE ON CARRIER STRIP)	
PLATING	COLOR
TIN	NONE

ADD GEN TOLERANCES	DESCRIPTION	QUALITY SYMBOLS
EC NO: UCP2011-3892	2011/06/27	▽=0
DRWINHIS IBARRA	2011/07/07	▽=0
CHKD:MORGAN		▽=0
APPR:SMILLER		

GENERAL TOLERANCES (UNLESS SPECIFIED)	
mm	INCH
4 PLACES ± .010	± .0004
3 PLACES ± .010	± .0004
2 PLACES ± 0.25	± .010
1 PLACE ± 0.35	± .014
ANGULAR ± 1/2°	
DRAFT WHERE APPLICABLE MUST REMAIN WITHIN DIMENSIONS	

DIMENSION STYLE	
MM/IN	SCALE
DRAWN BY: WAZ	DATE: 10/13/1984
CHECKED BY: WAZ	DATE: 10/13/1984
APPROVED BY: RL	DATE: 10/13/1984
MATERIAL NO. SEE TABLE	
SIZE C	

SCALE	DESIGN UNITS	THIRD ANGLE PROJECTION
4:1	INCH	ASSEMBLY, SL CONNECTOR SINGLE ROW 2.54/100 GRID
MOLEX INCORPORATED		
DOCUMENT NO. SDA-70475-0246-0269		SHEET NO. 1 OF 1
THIS DRAWING CONTAINS INFORMATION THAT IS PROPRIETARY TO MOLEX INCORPORATED AND SHOULD NOT BE USED WITHOUT WRITTEN PERMISSION		