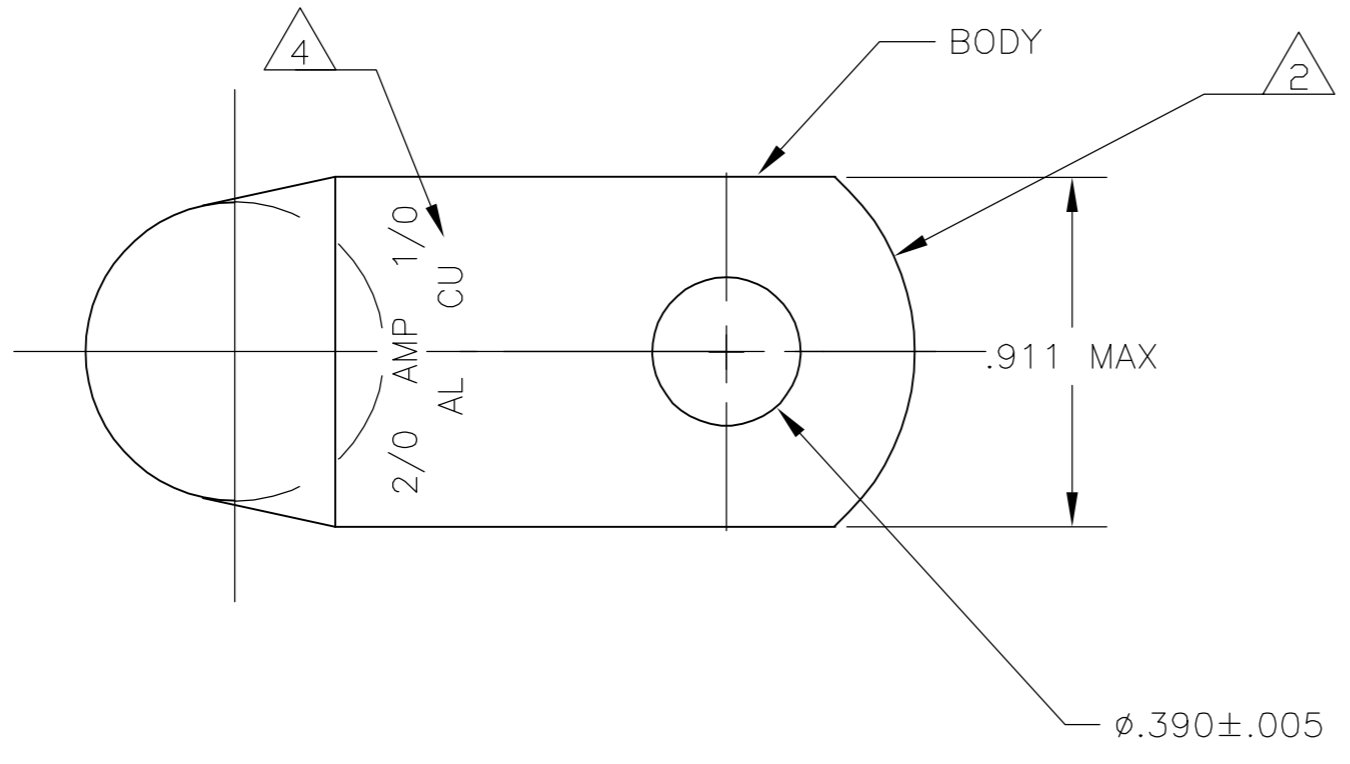
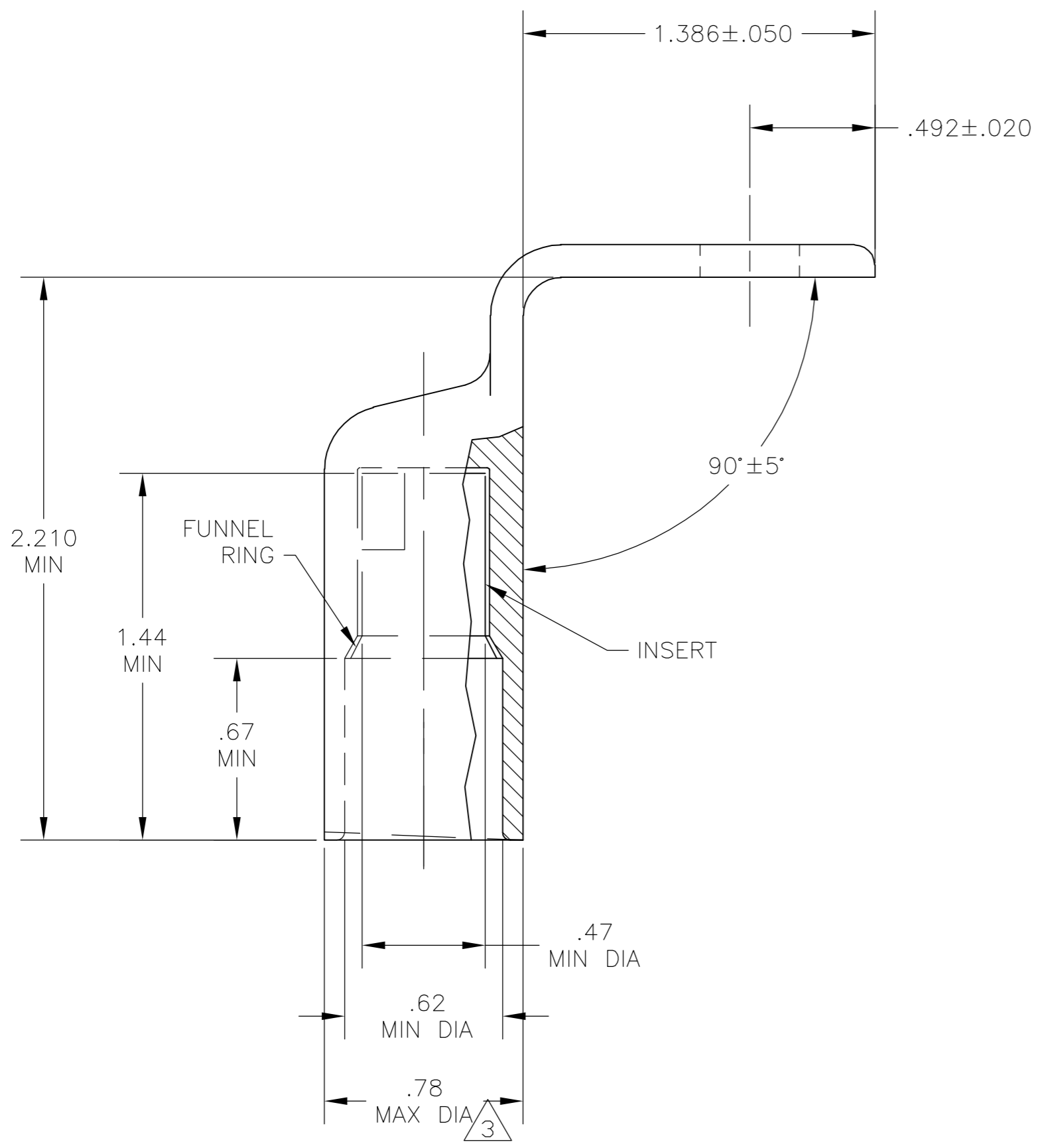


THIS DRAWING IS UNPUBLISHED. RELEASED FOR PUBLICATION  
 © COPYRIGHT BY TYCO ELECTRONICS CORPORATION. ALL RIGHTS RESERVED.

LOC	DIST	REVISIONS					
		P	LTR	DESCRIPTION	DATE	DWN	APVD
G	81	A		REL PER ECR 07-006150	16MAR07	JR	MS



- 1 WIRE INSULATION: .500-.550 DIA
- △2 THE TONGUE RADIUS FEATURE IS NOT A TOOLING CONTROLLED DIMENSION AND MAY NOT BE A TRUE RADIUS.
- △3 FLASH PERMITTED ±.020
- △4 STAMP " 2/0 AMP 1/0 " " AL CU " SIZE AND LOCATION APPROX AS SHOWN



BODY: COPPER ASTM-B187 ANNEALED TIN PL PER ASTM B545, .000150 MIN THK	1958038-1
INSERT & FUNNEL: BRASS MIL-C-50 NICKEL PL QQ-N-290 .000300 AVG THK	
MATERIAL & FINISH	PART NO.

THIS DRAWING IS A CONTROLLED DOCUMENT.		DWN	JR RUTH	06NOV06	 Tyco Electronics Corporation Harrisburg, PA 17105-3608							
DIMENSIONS: INCHES		CHK	MJ SPICER	06NOV06								
TOLERANCES UNLESS OTHERWISE SPECIFIED:		APVD	MJ SPICER	06NOV06								
0 PLC ± - 1 PLC ± - 2 PLC ± - 3 PLC ± .008 4 PLC ± - ANGLES ± - FINISH -		NAME	RING TONGUE, BENT, SEALED COPALUM, WIRE SIZE: 2/0 AL									
MATERIAL	-	PRODUCT SPEC	-		SIZE	A2	CAGE CODE	00779	DRAWING NO	C=1958038	RESTRICTED TO	-
CUSTOMER DRAWING		WEIGHT	-		SCALE	2:1		SHEET	1 of 1		REV	A

1958038