

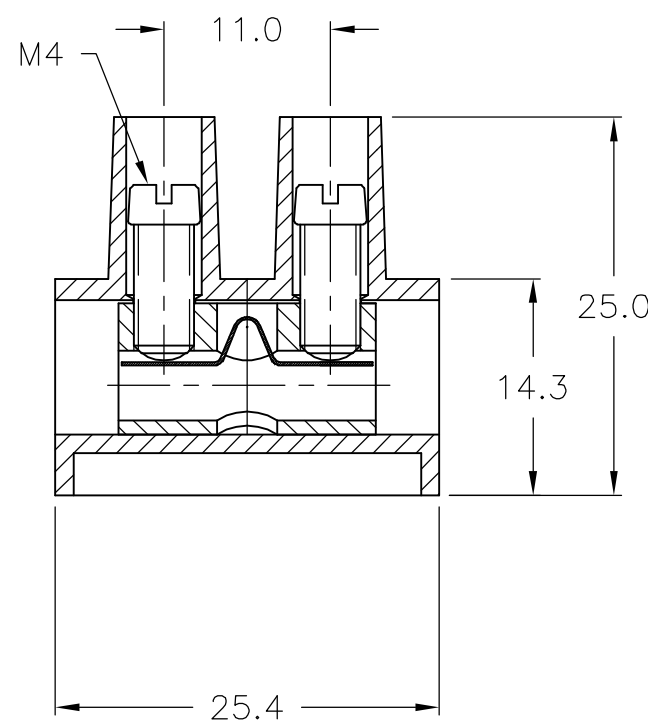
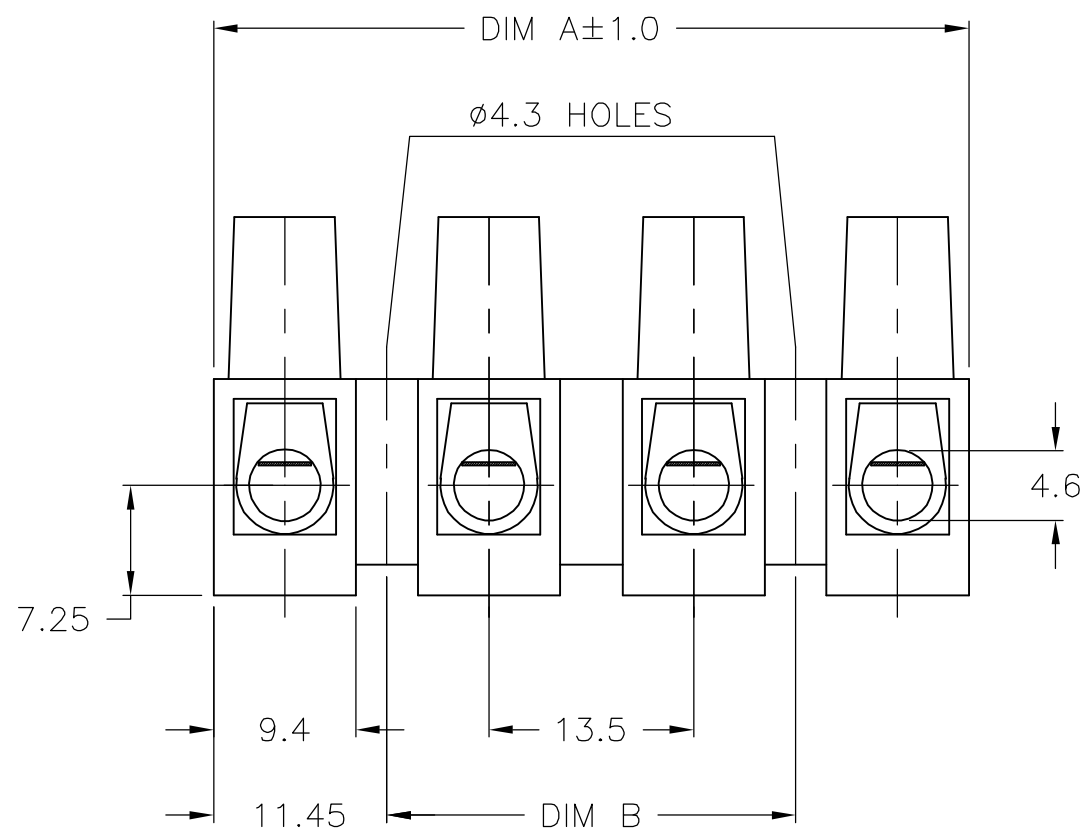
THIS DRAWING IS UNPUBLISHED. RELEASED FOR PUBLICATION
 © COPYRIGHT BY TYCO ELECTRONICS CORPORATION. ALL RIGHTS RESERVED.

LOC	DIST	REVISIONS			
P	LTR	DESCRIPTION	DATE	DWN	APVD
FT	0	01	REVISED PER ECO-06-17641	7/24/06	SS CR

MATERIAL:
 HOUSING: POLYIMIDE 6 UL94V-2.
 COLOR: NATURAL (OFF WHITE).
 TUBULAR CONTACT: BRASS, TIN PLATED.
 SCREW: M4, STEEL, ZINC PLATED W/ NON-
 HEXAVALENT CHROMATE (CHROME III).
 WIRE PROTECTOR: STAINLESS STEEL.

CURRENT RATING: 40A, 300V (UL).
 55A, 300V (CSA).
 WIRE RANGE: 8-18 AWG.

CONTINUOUS WORKING TEMPERATURE 100°C MAX.



135.0	157.9	12	TSB150012DS	1-1776311-2
121.5	144.4	11	TSB150011DS	1-1776311-1
108.0	130.9	10	TSB150010DS	1-1776311-0
94.5	117.9	9	TSB150009DS	1776311-9
81.0	103.9	8	TSB150008DS	1776311-8
67.5	90.4	7	TSB150007DS	1776311-7
54.0	76.9	6	TSB150006DS	1776311-6
40.5	63.4	5	TSB150005DS	1776311-5
27.0	49.9	4	TSB150004DS	1776311-4
13.5	36.4	3	TSB150003DS	1776311-3
-	22.9	2	TSB150002DS	1776311-2
-	9.4	1	TSB150001DS	1776311-1
DIM B	DIM A	POSN	CATALOG NUMBER	TYCO PART NUMBER

THIS DRAWING IS A CONTROLLED DOCUMENT.		DWN S SCHLEGEL 3/21/05	Tyco Electronics Corporation Harrisburg, Pa 17105-3608				
DIMENSIONS: mm		CHK C RICHARD 3/21/05					
TOLERANCES UNLESS OTHERWISE SPECIFIED:		APVD C RICHARD 3/21/05	NAME 13.5MM PITCH W/ WIRE PROTECTOR EUROPA TERMINAL BLOCK				
0 PLC ± - 1 PLC ± 0.3 2 PLC ± 0.25 3 PLC ± - 4 PLC ± - ANGLES ± 2°		PRODUCT SPEC -	APPLICATION SPEC -				
MATERIAL -		FINISH -	WEIGHT -	SIZE A3	CAGE CODE 00779	DRAWING NO C-1776311	RESTRICTED TO -
CUSTOMER DRAWING			SCALE NTS	SHEET 1	OF 1	REV 01	