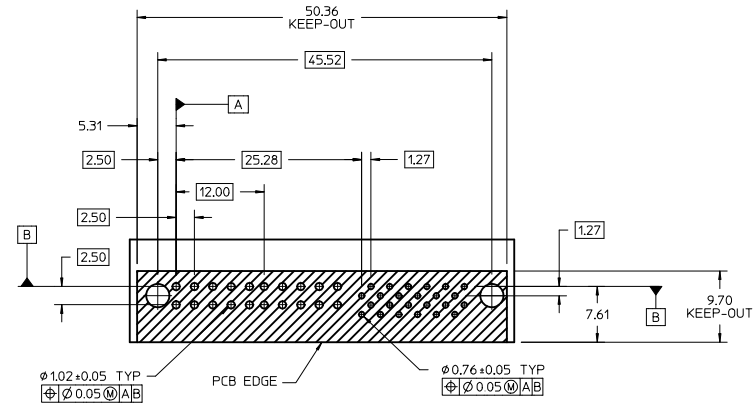
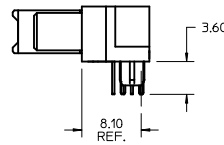
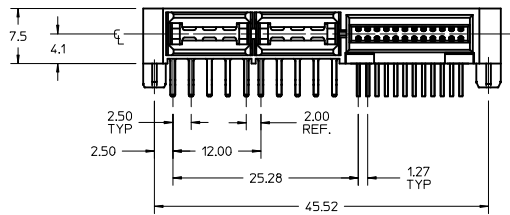


RECOMMENDED  
CARD EDGE LAYOUT  
THICKNESS: 1.57/.062



RECOMMENDED PCB LAYOUT  
COMPONENT SIDE  
PCB THICKNESS: 2.36/.093

NOTES:

- MATERIAL HOUSING: GLASS FILLED LCP (LIQUID CRYSTAL POLYMER), 94V-0, COLOR-BLACK. CONTACT: COPPER ALLOY.
- FINISH: SELECT GOLD - .76 MICROMETERS/30 MICROINCHES MINIMUM CONTACT. SELECT TIN - 3.81 MICROMETERS/150 MICROINCHES MINIMUM TAIL. BOTH OVER NICKEL - 1.27 MICROMETERS/50 MICROINCHES MINIMUM.
- POWER TERMINALS LUBRICATED IN CONTACT AREA.
- PRODUCT SPECIFICATION: PS-45984-001.
- PACKAGING: TRAY PER PK-45984-001.
- PARTS ARE ROHS COMPLIANT.
- MATES TO 1.57/.062 CARD EDGE OR MOLEX P/N 45985-4\*\*\*

MODIFY HSG NOTE IEC NO: LCP2012-0902 2 DRAWN BY: MORGAN CHYK: APPR: MILLER DESCRIPTION: 2011/09/20 2011/11/09	QUALITY SYMBOLS	GENERAL TOLERANCES (UNLESS SPECIFIED)	DIMENSION STYLE	SCALE	DESIGN UNITS	THIRD ANGLE PROJECTION
	$\nabla=0$ $\nabla=0$ $\nabla=0$	mm INCH 4 PLACES ± --- ± --- 3 PLACES ± --- ± --- 2 PLACES ± 0.25 ± --- 1 PLACE ± --- ± --- ANGULAR ± 1/2°	MM ONLY	3:1	METRIC	
	DRAWN BY: MBANDURA CHECKED BY: MBANDURA APPROVED BY: APATEL DATE: 2010/04/23 DATE: 2010/04/23 DATE: 2010/06/03	MATERIAL NO: 45984-0011 DOCUMENT NO: SD-45984-011		TITLE: LOW PROFILE HYBRID RECEPTACLE ASSEMBLY 4-POWER 24-SIGNAL MOLEX INCORPORATED		SHEET NO: 1 OF 1
	DRAFT WHERE APPLICABLE MUST REMAIN WITHIN DIMENSIONS					