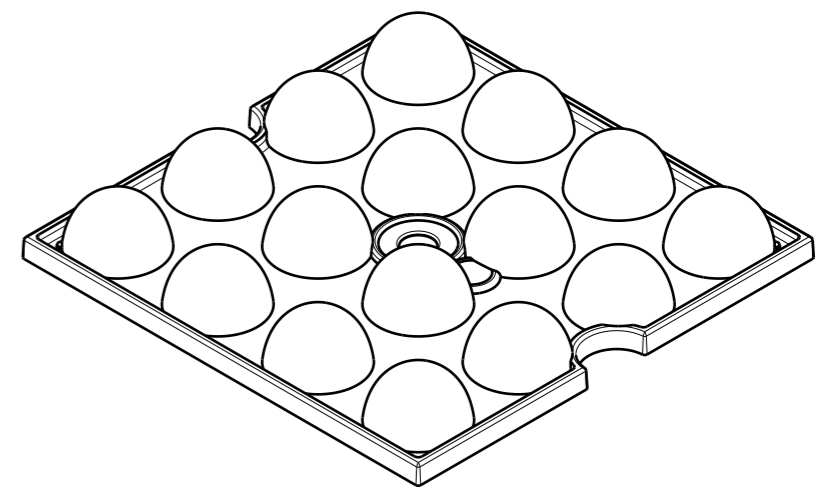
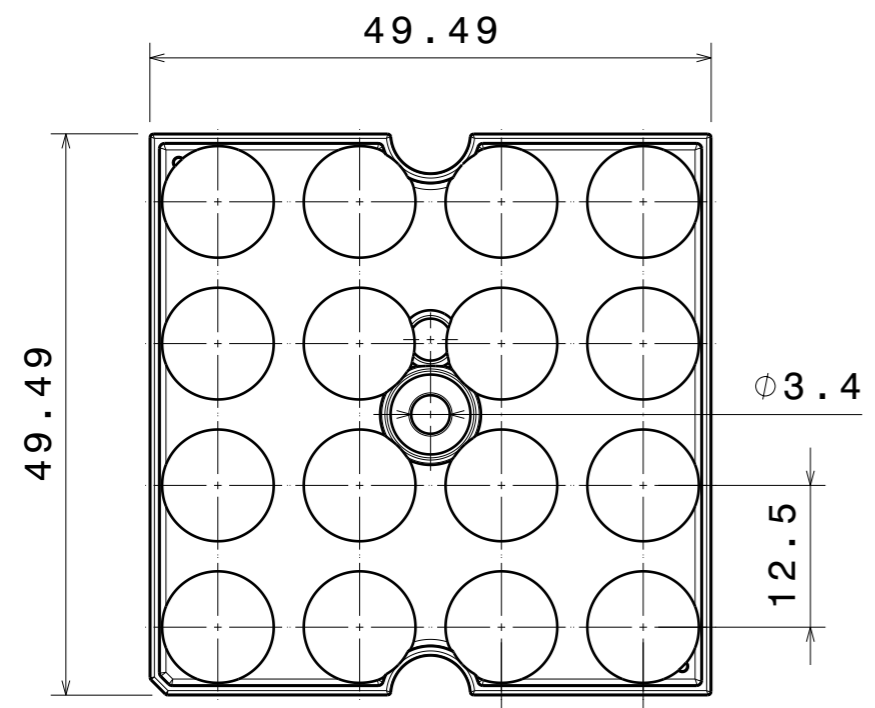


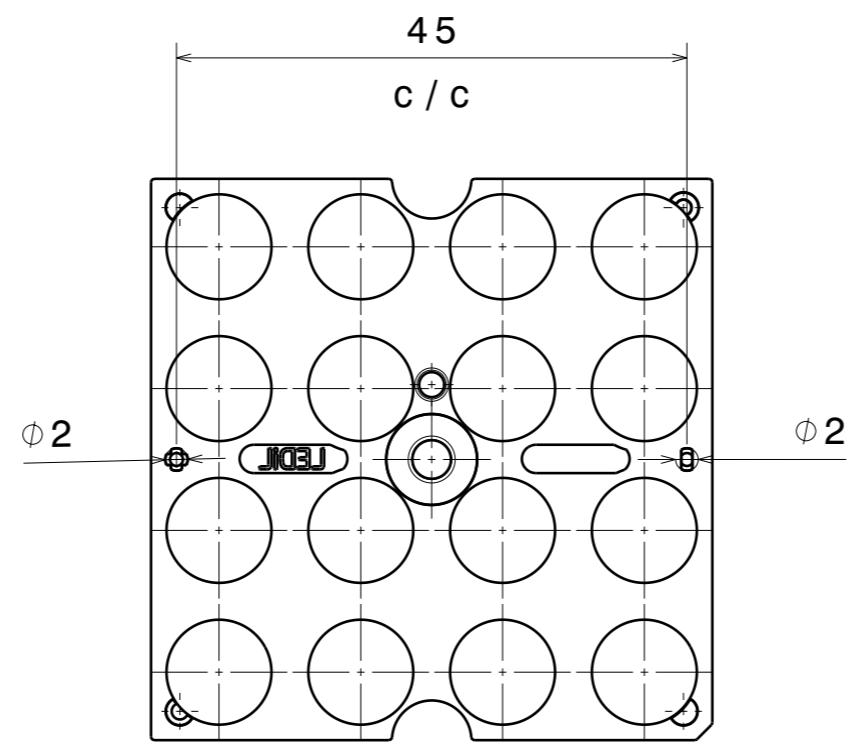
Front view



Isometric view
Scale: 3:2



Top view



Bottom view

GENERAL MOULDING TOLERANCES

Dimension [mm]	PMMA / PC
>0-6	± 0.2
>6-22	± 0.25
>22-40	± 0.30
>40-90	± 0.44
>90-160	± 0.60
>160-200	± 0.70
>200-315	± 1.1

PART	TYPE	MATERIAL	COLOR / COATING
C15431_STRADELLA-16-HB-M		PMMA	

MECHANICAL DRAWING		LEDiL [®]
PRODUCT STRADELLA		
Tolerances if not otherwise shown According to DIN ISO 2768-1 Linear measures: Up to 30mm class M, otherwise class C. According to DIN ISO 2768-2 Form and position: class L	FIRST ANGLE PROJECTION: 	This drawing is the property of LEDiL Oy. It may not be reproduced, copied or communicated without a written agreement with LEDiL Oy.
SCALE 3:2	WEIGHT 6,5 g	A3 SHEET 1/1