

**CUSTOMER:**  
**CUSTOMER PN:**  
**GLOBAL PN:** EKMH201VNN102MA35S  
**CONTROL NO.:** 199680

**ELECTRICAL CRITERIA**

CAPACITANCE (120Hz/20°C): 1000  $\mu$ F  
 CAP.TOLERANCE:  $\pm$  20 %  
 RATED VDC 200 V  
 SURGE VDC (30 sec): 250 V  
 MAX. TAN  $\delta$  (120Hz/20°C) : 15 %  
 TYP. ESR (120Hz/20°C): 100 m $\Omega$   
 MAX. IRMS (120Hz/105°C): 2.28 A  
 MAX. DCL (V<sub>DC</sub>/5:00/20°C): 3.000 mA

**MECHANICAL CRITERIA**

MAX. VIBRATION: 10-55Hz 10g  
 TYP. WEIGHT: 51 grams

**OPERATING CRITERIA**

MAX. TEMPERATURE: +105 °C  
 MIN. TEMPERATURE: -25 °C  
 LOAD LIFE (V<sub>DC</sub>+I<sub>IRMS</sub>/105°C): 2000 Hrs  
 MAX.  $\Delta$  CAP. (measured value):  $\pm$  20 %  
 MAX. TAN  $\delta$  (specified value): +200 %  
 MAX. DCL (V<sub>DC</sub>/5:00/20°C): 3.000 mA  
 SHELF LIFE (105°C): 1000 Hrs  
 MAX.  $\Delta$  CAP. (measured value):  $\pm$  20 %  
 MAX. TAN  $\delta$  (specified value): +150 %  
 MAX. DCL (V<sub>DC</sub>/5:00/20°C): 3.000 mA

**IRMS FREQUENCY MULTIPLIERS**

V <sub>DC</sub>	50Hz	120Hz	300Hz	1kHz	10kHz	100kHz
6.3-50	0.95	1.00	1.03	1.05	1.08	1.08
63-100	0.92	1.00	1.07	1.12	1.19	1.20
160-250	0.81	1.00	1.17	1.32	1.45	1.50
315-450	0.77	1.00	1.16	1.30	1.41	1.43

**IRMS AMBIENT MULTIPLIERS**

45°C	60°C	70°C	85°C	105°C
2.64	2.23	2.12	1.73	1.00

**COMMENTS**

RoHS Compliant

---



---



---



---



---



---




---

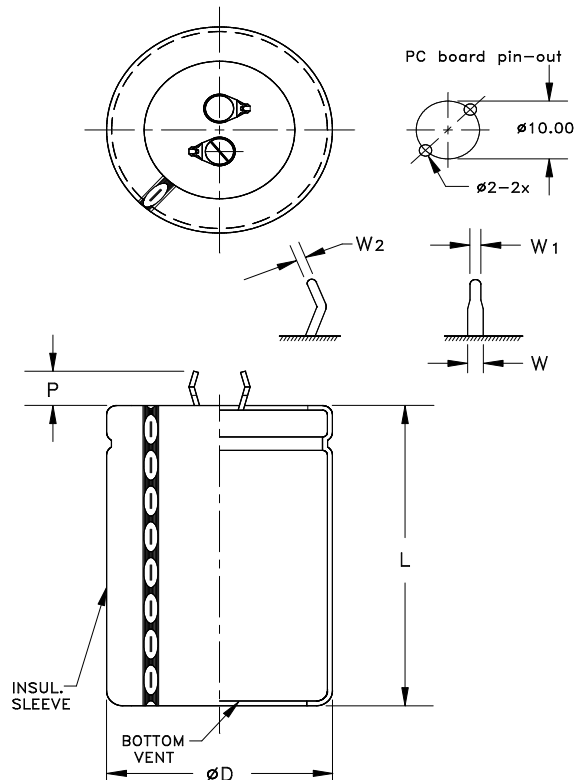


---

DIMENSIONAL CRITERIA			
X	mm	in	
$\varnothing$ D	35.0	- NA	+ 1.0
L	35.0	- 2.0	+ 2.0
P	5.8	- 1.0	+ 1.0
W	1.5	- 0.2	+ 0.2
W <sub>1</sub>	1.0	- 0.1	+ 0.1
W <sub>2</sub>	1.0	- 0.1	+ 0.1

**MARKING**

 KMH 105°C  
 200V 1000uF(M)  
 Date Code



TDS NO.: TDS-10-0344  
 AUTHOR: LMI  
 DATE: JUL-08-2010